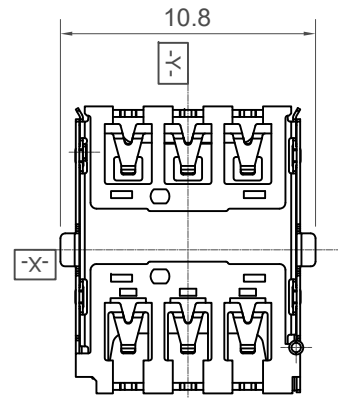
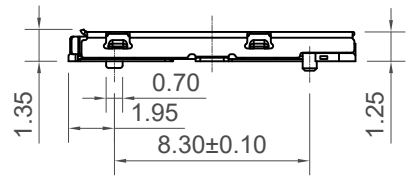
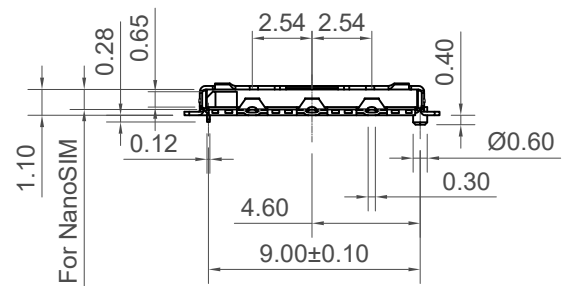


**Recommended PCB Layout**  
 As viewed from component side General Tolerance ±0.05  
 Locating peg holes only applicable to locating peg version

Solder Area  
 Keep Out Area  
 Component Outline



**Date Code Note:**  
 Code Format = YYMMDD  
 YY = 2 digit year, eg 14 = 2014  
 M = 1 digit month  
 1 = January... 9 = September  
 A = October, B = November  
 C = December  
 DD = 2 digit day, eg: 21 = 21st

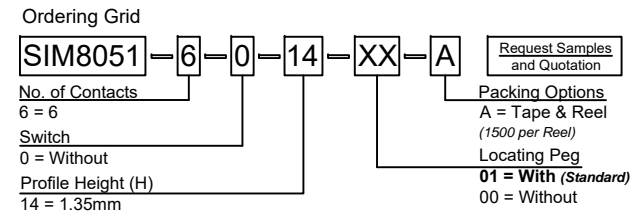
**Specification 规格**

**Material 物料**  
 Plastic Housing 塑胶底座: LCP 30%GF, UL94V-0, Black  
 Contact Terminal 端子: Phosphor Bronze T=0.12mm  
 Cover 外壳: SUS301-H, T=0.15mm

**Plating 电镀规格:**  
 Contact Terminal 端子:  
 Contact Area 接触区域: 3μ" Gold  
 Solder area 焊接区: Gold Flash  
 Underplating 底层电镀: Ni overall 50μ" min.  
 Cover 外壳: Ni overall 50μ" min.

**Electrical 电气**  
 Voltage Rating 电压额定值: 30V max.  
 Current Rating 电流额定值: 0.5A max.  
 Operating Temperature 工作温度: -40°C to +85°C  
 Dielectric Withstanding Voltage 耐电压: 100V AC (60 Sec min.)  
 Insulation Resistance 绝缘电阻: 1000 MΩ min.  
 Contact Resistance 接触电阻: 100 mΩ max.

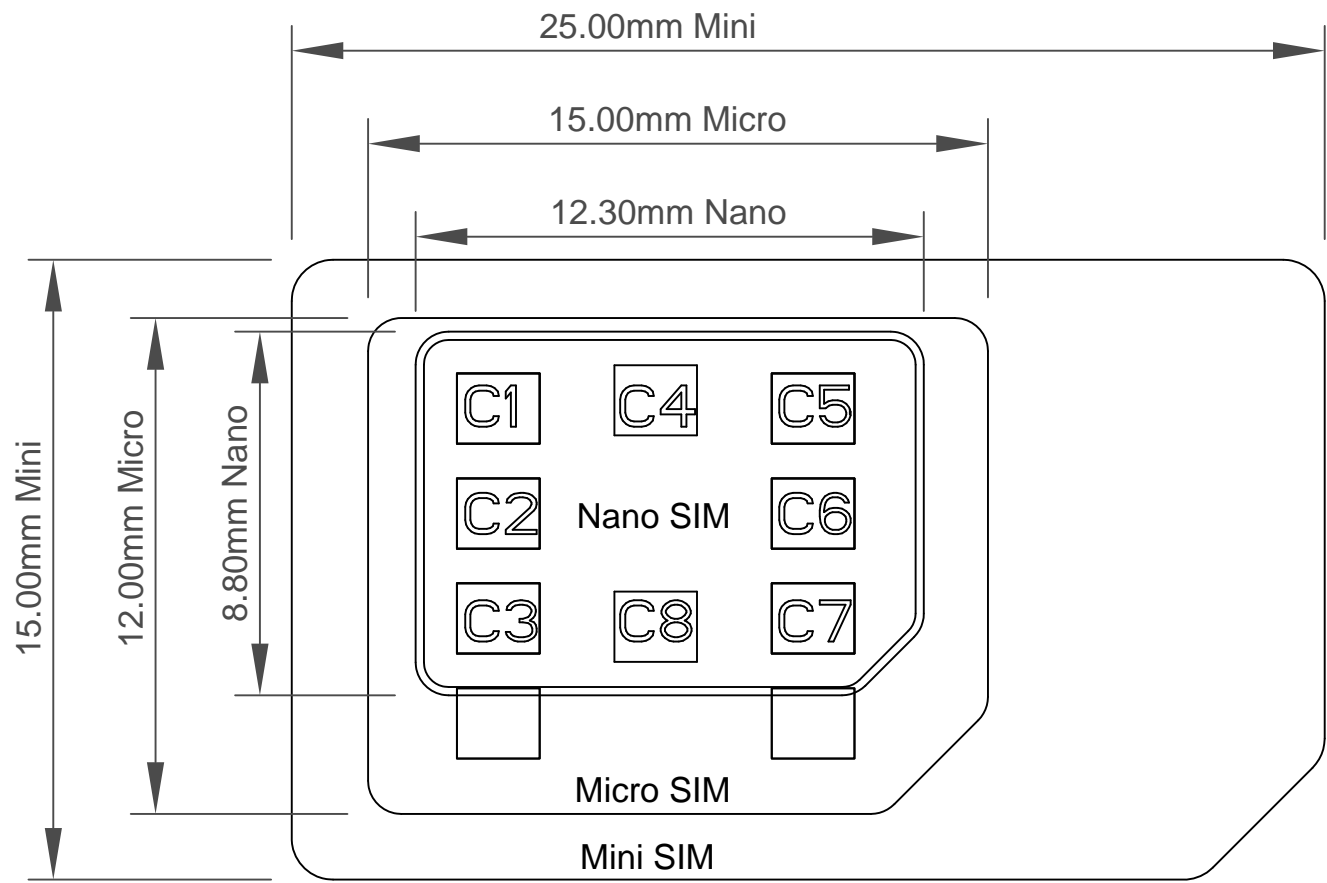
**Mechanical & Environmental 机械 & 环境**  
 Duration 耐久性: 1500 cycles



Part Number		Product Description	
SIM8051		Nano SIM Card Connector	
Drawing Date		Push-Pull Type, 6 Pin, SMT, Profile 1.35mm	
28th April 2015			
By	CC	Tolerances (Except as Noted)	
Detail	SIM8051 D PCN	Length X. ± 0.35 X.X ± 0.25 X.XX ± 0.15 X.XXX ± 0.10	Angle All ± 2°
Revision	D1	Units: Metric (mm)	
Date	12/12/16		



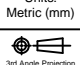
**GCT**  
 Global Connector Technology  
 www.gct.co

Not to Scale    Drawn By: AJO    Sheet No.: 1/3

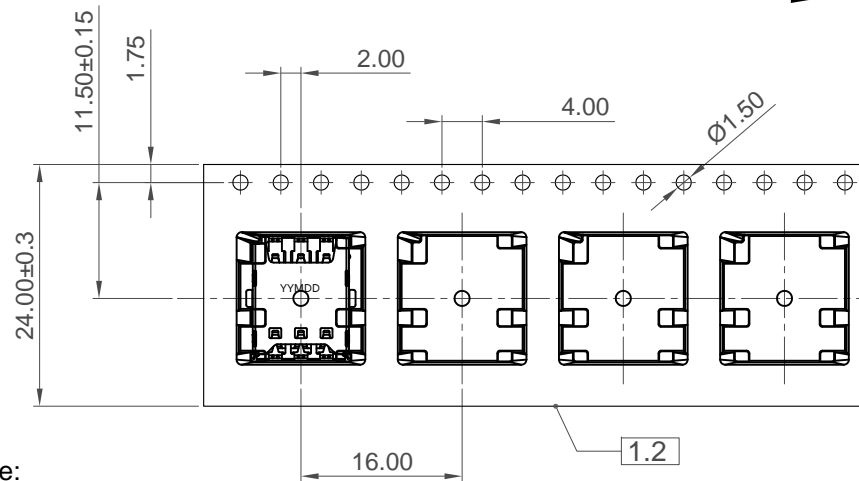
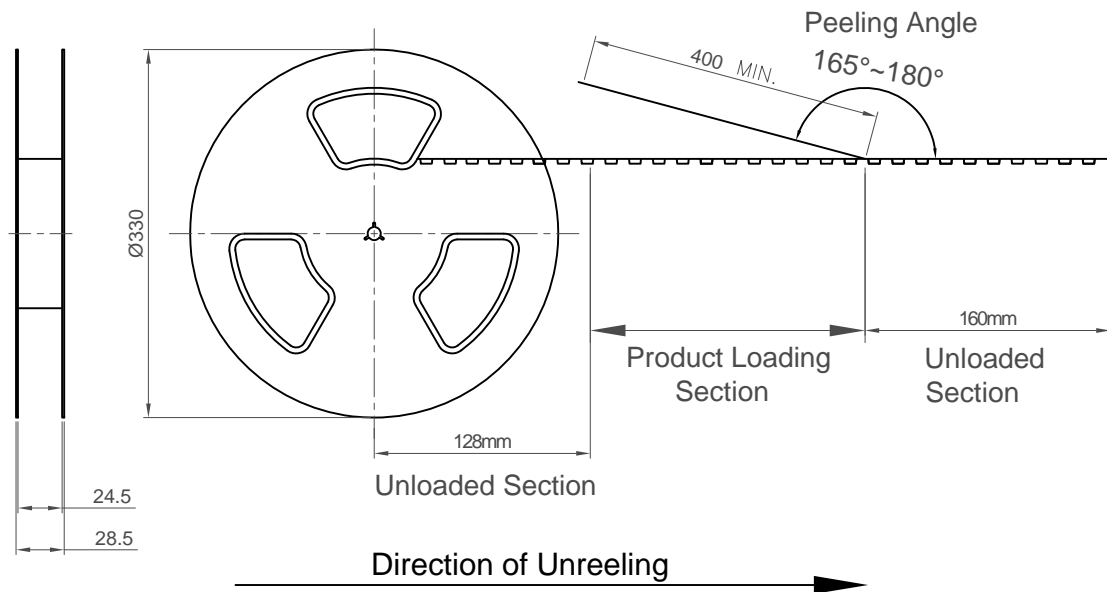


- C1----->VCC
- C2----->RST
- C3----->CLK
- C5----->GND
- C6----->Vpp
- C7----->I/O

# Reference

Part Number		Product Description		 	This drawing is confidential and copyright of Global Connector Technology, Ltd (GCT). This drawing must not be copied or disclosed without written consent. E & OE
SIM8051		Nano SIM Card Connector			
Drawing Date		Push-Pull Type, 6 Pin, SMT, Profile 1.35mm			
28th April 2015				Not to Scale Drawn By AJO Sheet No. 2/3	
By	CC	Tolerances (Except as Noted)	Units:		
Detail	SIM8051 D PCN	Length X. ± 0.35 X.X ± 0.25 X.XX ± 0.15 X.XXX ± 0.10	Metric (mm)		
Revision	D1	All ± 2°			
Date	12/12/16				

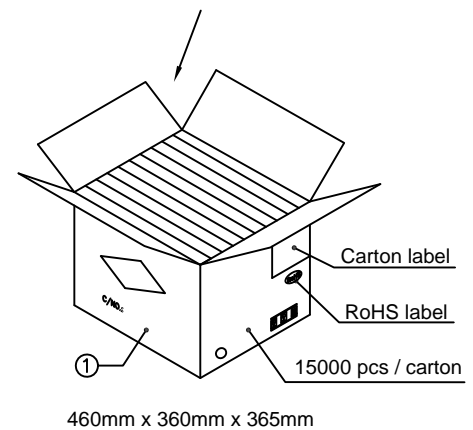
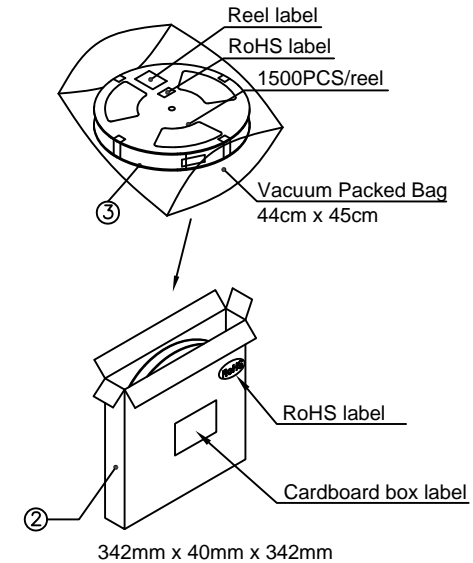
**GCT**  
Global Connector Technology  
www.gct.co



Note:

Material:

- Box: Fibreboard, Corrugated, Double wall.
- Tape: Polystyrene, Heat-resistant temperature: 120°C, black color.
- Reel: Polystyrene, Heat-resistant temperature: 70°C, blue color.
- Bag: Polyethylene, Heat-resistant temperature: 100°C.
- Peeling Strength: 0.1 ~ 1.3 n (10 ~ 130 grams)
- Peeling Speed: 300 mm/min.



Products P/N	PCS/Reel	Reels/Carton	PCS/Carton
SIM8051	1500	10	15000

Part Number SIM8051		Product Description Nano SIM Card Connector Push-Pull Type, 6 Pin, SMT, Profile 1.35mm	
Drawing Date 28th April 2015			
By CC	Tolerances (Except as Noted) Length	Units: Metric (mm)	  This drawing is confidential and copyright of Global Connector Technology, Ltd (GCT). This drawing must not be copied or disclosed without written consent. E & OE
Detail SIM8051 D PCN	Angle	3rd Angle Projection	
Revision D1			
Date 12/12/16			

**GCT**  
Global Connector Technology  
www.gct.co

Not to Scale	Drawn By AJO	Sheet No. 3/3
--------------	-----------------	------------------