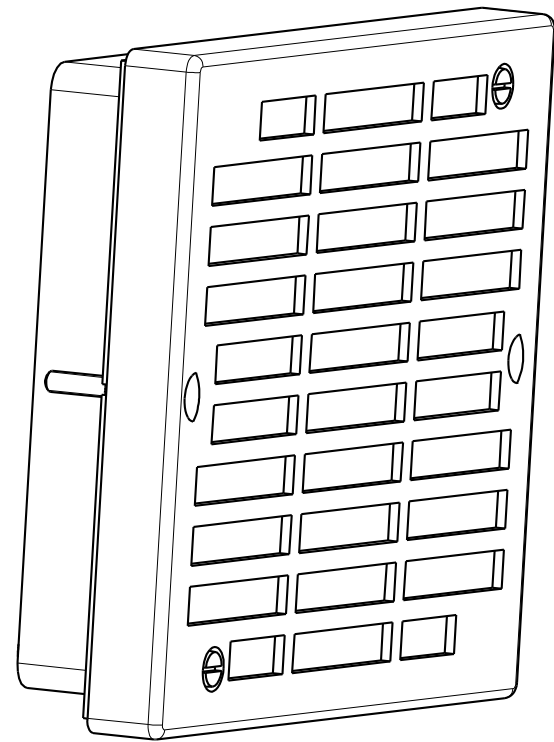
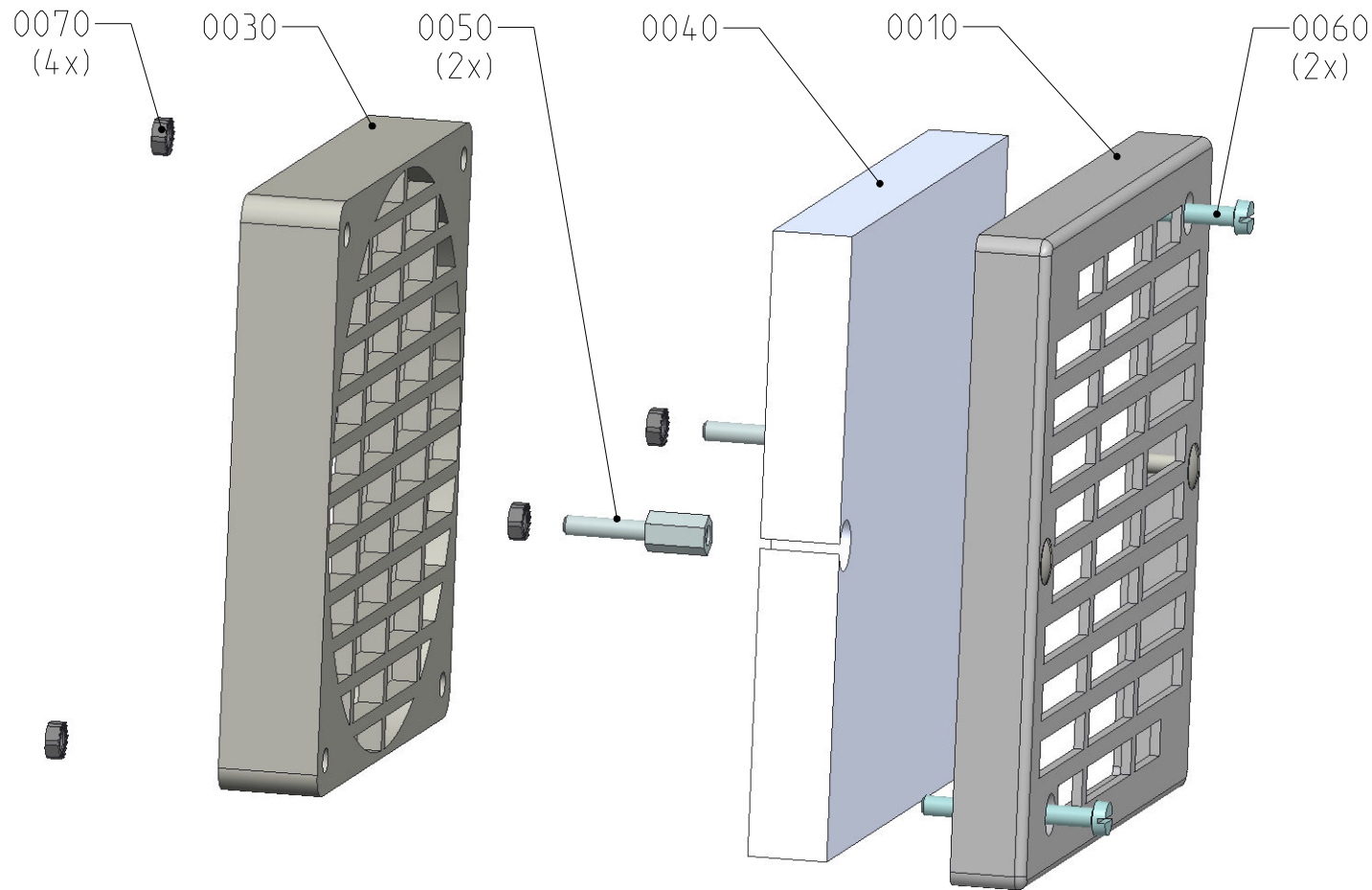
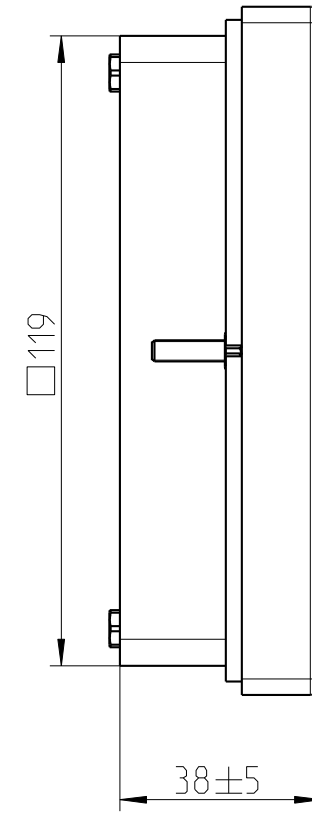
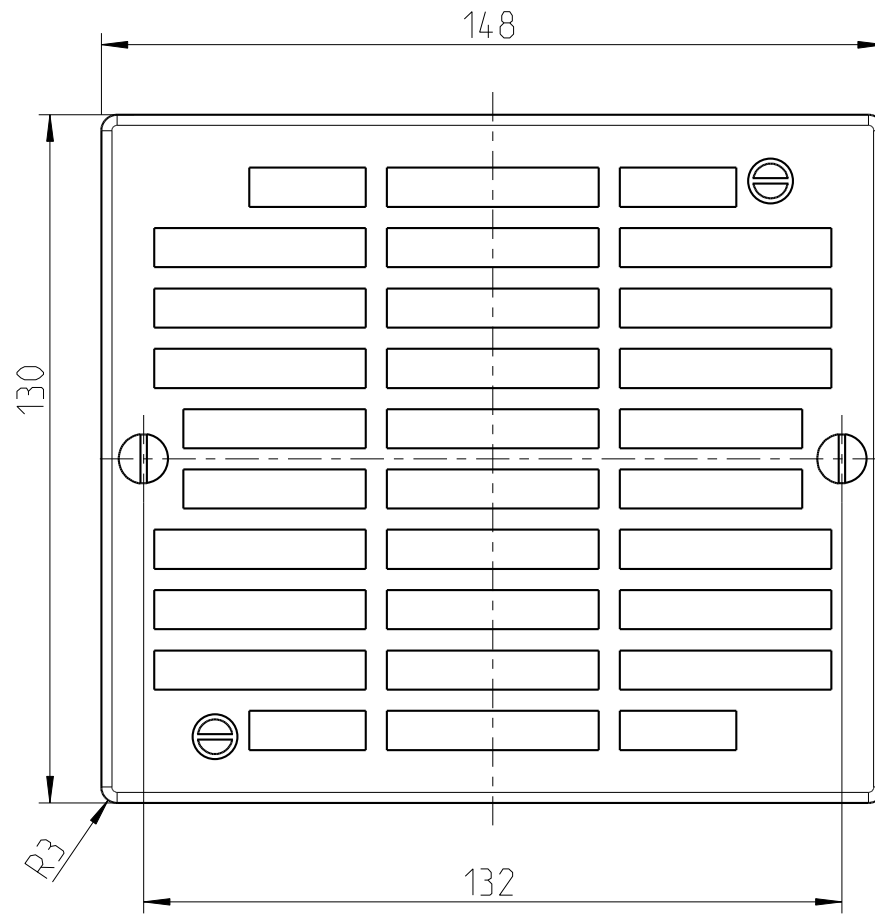


Any unauthorized use of this drawing, copying or passing on to third parties requires the explicit approval of ebm-papst Mulfingen GmbH & Co. KG. Any violations of this shall be prosecuted in Civic and Penal Court.

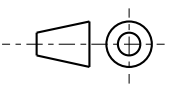


7:10



0070	01247-4-6254	Sechskantm. m. Sperrverz. M4 <i>hexagon screw, self locking</i>	4
0060	01076-7-6210	Zylinderschraube M4 <i>cylinder screw</i>	2
0050	09913-2-5170	Gewindebolzen M4 <i>threaded bolts</i>	2
0040	09915-2-5170	Filtermatte <i>filter mat</i>	1
0030	09912-2-5170	Zwischenrahmen <i>between frames</i>	1
0010	09911-2-5170	Abdeckrahmen <i>cover frame</i>	1
Pos.	ebmpapst Teile Nr. <i>part no.</i>	Bezeichnung <i>designazion</i>	Anzahl <i>piece</i>

Tolerances	ebmpapst								
ISO 2768 -mK-E	ebm-papst Mulfingen GmbH & Co. KG								
Scale	1:2								
Size	Montagezchg. <i>mounting drw.</i>								
Distribution ML T / B	Designed	Date	Name						
	Checked	28.03.17	NF						
	2D-CAD: 002856695			Ind.	KM-Nr.	Date	Name		
				3D-CAD: 002856062					
								Sheet	1 of 1



Paper size: A3