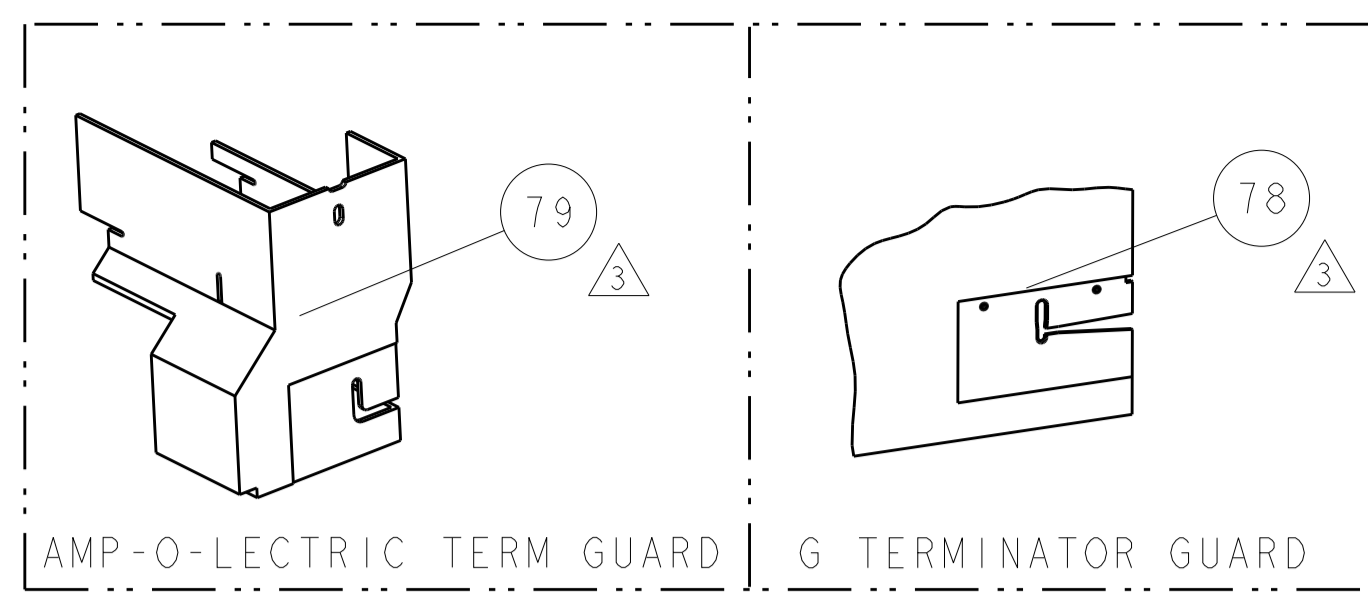


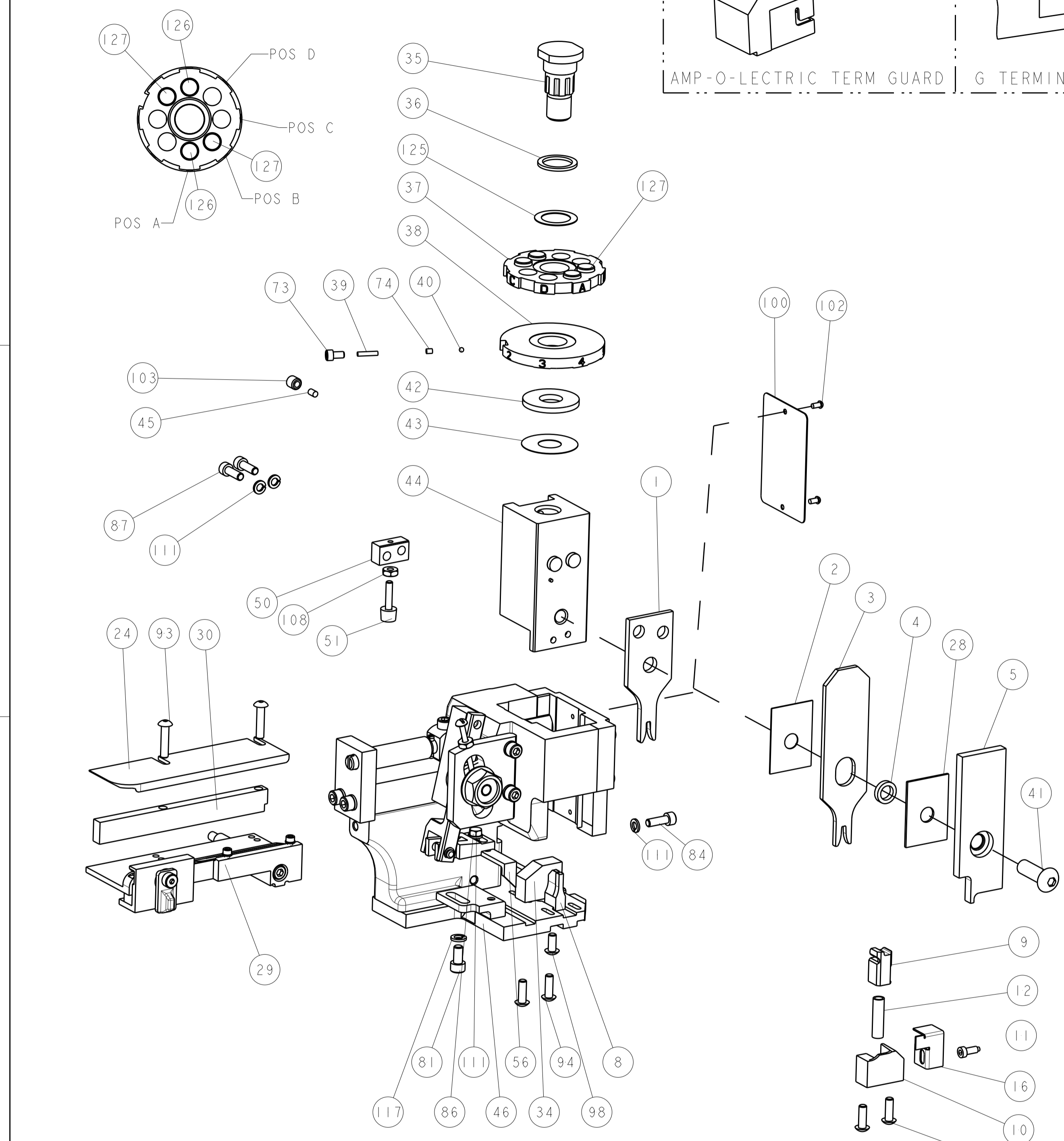
| PART NUMBER | REV | FIRST USED | POWER UNIT | FEED TYPE |
|-------------|-----|------------|---------------|-----------|
| 1385838-1 | B | 122500-1 | LEADMAKER | POST FEED |
| 1385838-2 | B | 565435-5 | BENCH MODEL K | PRE FEED |
| 1385838-3 | B | 354500-1 | BENCH MODEL G | PRE FEED |



TERMINAL NAME: NSF-0.3

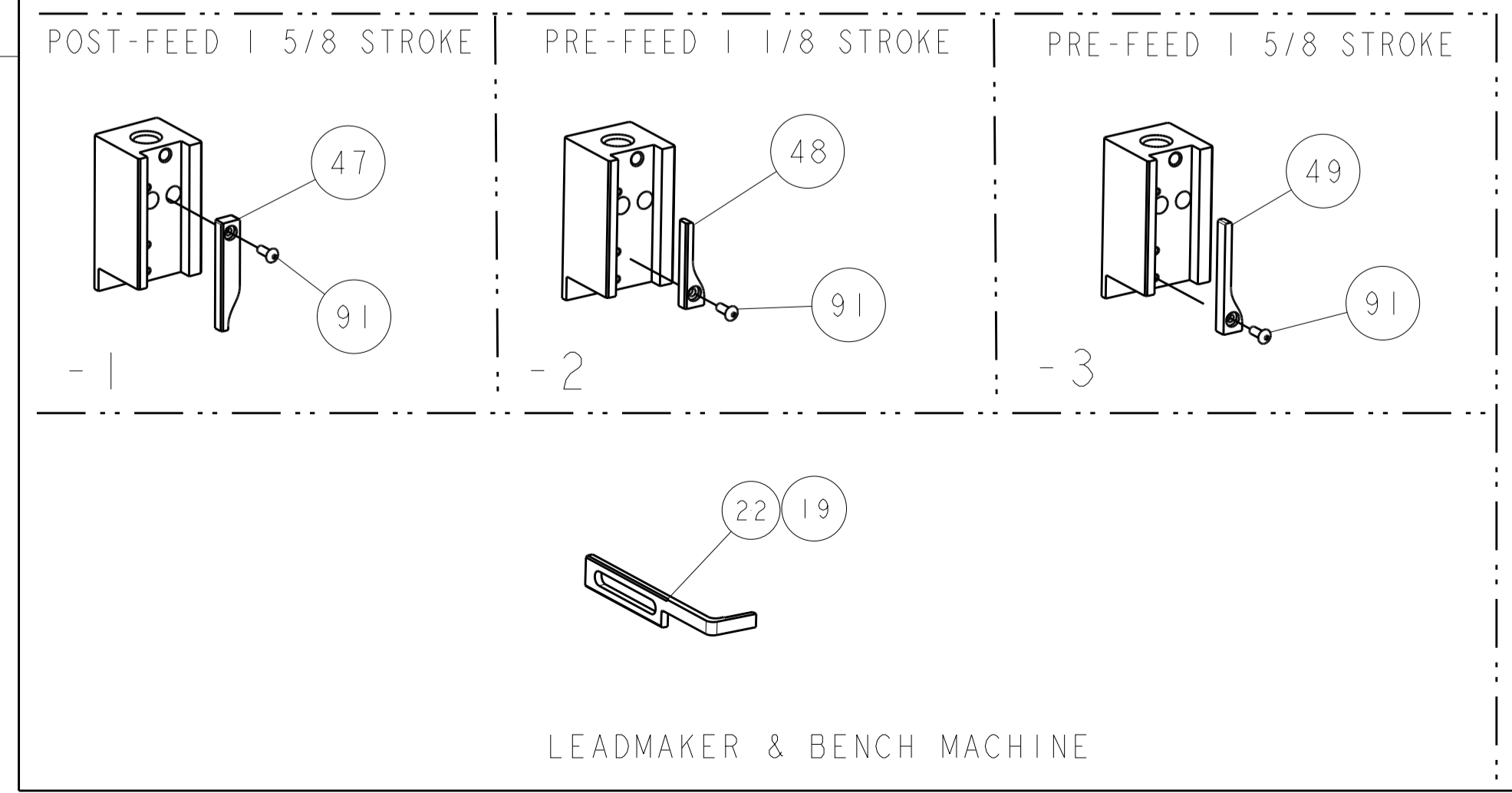
| TE PN | MFR PN | MITSUBISHI TERMINAL AND CRIMP SPECS | | | |
|-------------------|----------------|-------------------------------------|------------------------|-------------|--------------|
| 1642755-1 | MT095-94280 | | | | |
| | | PAD LTR | CRIMP HEIGHT | WIRE SIZE | |
| | | A | .053±.002[1.35±0.05mm] | 1.25 mm2 | |
| | | B | .045±.002[1.14±0.05mm] | 0.85 mm2 | |
| | | C | | | |
| | | D | | | |
| | | CRIMP | SIZE | TYPE | RANGE |
| | | WIRE | .092 [2.34mm] | F | 1.25-.085mm2 |
| | | INSUL | .112 [2.84mm] | F | 2.3mm MAX |
| WIRE STRIP LENGTH | TERM APPL SPEC | FEED | APPL INSTRUCTIONS | SET UP GAGE | |
| .177-.216 | NONE | .591 | 408-8040 | 458637-1 | |

| LOC | DIST | REVISIONS | | | | | |
|-----|------|-----------|-----|---------------|-----------|-----|------|
| A | 66 | P | LTN | DESCRIPTION | DATE | OWN | APVD |
| | | A | | RELEASED | 22OCT2004 | LG | TE |
| | | A1 | | ECR-06-014575 | 15JUN2006 | MY | GB |
| | | B | | ECR-10-016956 | 16AUG2010 | MY | TE |
| | | B1 | | ECR-15-004917 | 27MAR2015 | JH | JT |



- △ RECOMMENDED SPARE PARTS
- △ GREASE LIGHTLY
- △ GUARD MUST BE IN PLACE WHEN OPERATING APPLICATOR IN A BENCH MACHINE

| | | | | | | |
|----|-----|----|-----|------------|--------------------------------------|---------|
| - | - | - | .. | - | - | 129 |
| - | - | - | .. | - | - | 128 |
| 2 | 2 | 2 | - | 4-354779-0 | PIN, WIRE DISC, .3190 | 127 |
| 2 | 2 | 2 | - | 2-354779-4 | PIN, WIRE DISC, .3110 | 126 |
| 1 | 1 | 1 | - | 986950-1 | WASHER, FLAT PRECISION | 125 |
| 1 | 1 | 1 | - | 217238-1 | GENERAL INSTRUCTION PKG | 124 |
| 1 | 1 | 1 | - | 4088040 | SF APPL INST 408-8040 | 123 |
| - | - | - | .. | - | - | 122 |
| - | - | - | .. | - | - | 121 |
| - | - | - | .. | - | - | 120 |
| - | - | - | .. | - | - | 119 |
| - | - | - | .. | - | - | 118 |
| 1 | 1 | 1 | - | 21024-5 | WASHER, SPRG LOCK, REG NO 10 | 117 |
| - | - | - | .. | - | - | 116 |
| - | - | - | .. | - | - | 115 |
| - | - | - | .. | - | - | 114 |
| - | - | - | .. | - | - | 113 |
| - | - | - | .. | - | - | 112 |
| 4 | 4 | 4 | - | 21024-4 | WASHER, SPRG LOCK, REG NO 8 | 111 |
| - | - | - | .. | - | - | 110 |
| - | - | - | .. | - | - | 109 |
| 1 | 1 | 1 | - | 21018-5 | NUT, HEX, REG 6-32 | 108 |
| - | - | - | .. | - | - | 107 |
| - | - | - | .. | - | - | 106 |
| - | - | - | .. | - | - | 105 |
| - | - | - | .. | - | - | 104 |
| 1 | 1 | 1 | - | 21009-2 | SCR, SET, SELF LOCKING 1/4-20 X .250 | 103 |
| 2 | 2 | 2 | - | 21017-2 | SCREW, DRIVE | 102 |
| - | - | - | .. | - | - | 101 |
| 1 | 1 | 1 | - | 461264-1 | PLATE, IDENTIFICATION | 100 |
| - | - | - | .. | - | - | 99 |
| 1 | 1 | 1 | - | 22733-8 | SCR, BHSC, SELF-LOCKING, 8-32 X .375 | 98 |
| - | - | - | .. | - | - | 97 |
| - | - | - | .. | - | - | 96 |
| - | - | - | .. | - | - | 95 |
| 4 | 4 | 4 | - | 2-21002-2 | SCR, BTN SKT HD CAP 8-32 X .500 | 94 |
| 2 | 2 | 2 | - | 2-21002-4 | SCR, BTN SKT HD CAP 8-32 X .750 | 93 |
| - | - | - | .. | - | - | 92 |
| 1 | 1 | 1 | - | 1-21002-7 | SCR, BTN SKT HD CAP 6-32 X .375 | 91 |
| - | - | - | .. | - | - | 90 |
| - | - | - | .. | - | - | 89 |
| - | - | - | .. | - | - | 88 |
| - | - | - | .. | - | - | 87 |
| 2 | 2 | 2 | - | 2-21000-7 | SCR, SKT HD CAP 8-32 X .500 | 86 |
| 1 | 1 | 1 | - | 2-22603-0 | SCR, HEX HD CAP 8-32 X .312 | 85 |
| - | - | - | .. | - | - | 84 |
| 1 | 1 | 1 | - | 2-21000-7 | SCR, SKT HD CAP 8-32 X .500 | 83 |
| - | - | - | .. | - | - | 82 |
| - | - | - | .. | - | - | 81 |
| 1 | 1 | 1 | - | 3-21000-4 | SCR, SKT HD CAP 10-32 X .375 | 80 |
| - | - | - | .. | - | - | 79 |
| - | REF | - | .. | 455749-1 | GUARD WINDOW | 78 |
| - | REF | - | .. | 679532-1 | INSERT, GUARD | 77 |
| - | - | - | .. | - | - | 76 |
| - | - | - | .. | - | - | 75 |
| - | - | - | .. | - | - | 74 |
| 1 | 1 | 1 | - | 690603-1 | SPRING ASSIST AMP-O-MATOR APPLICATOR | 74 |
| -3 | -2 | -1 | U/M | PART NO | DESCRIPTION | ITEM NO |



| ITEM NO | PART NO | DESCRIPTION | ITEM NO |
|---------|-------------|------------------------------------|---------|
| 73 | 23030-1 | SCR, SKT HD CAP 6-32 x .25 | 73 |
| 72 | - | - | 72 |
| 71 | - | - | 71 |
| 70 | - | - | 70 |
| 69 | - | - | 69 |
| 68 | - | - | 68 |
| 67 | - | - | 67 |
| 66 | - | - | 66 |
| 65 | - | - | 65 |
| 64 | - | - | 64 |
| 63 | - | - | 63 |
| 62 | - | - | 62 |
| 61 | - | - | 61 |
| 60 | - | - | 60 |
| 59 | - | - | 59 |
| 58 | - | - | 58 |
| 57 | - | - | 57 |
| 56 | 458537-2 | PAWL, FEED | 56 |
| 55 | - | - | 55 |
| 54 | - | - | 54 |
| 53 | - | - | 53 |
| 52 | - | - | 52 |
| 51 | 811242-2 | BUMPER, HOLD DOWN | 51 |
| 50 | 690753-1 | SPACER, TONKER | 50 |
| 49 | 690602-6 | CAM, PRE FEED, 1 5/8 | 49 |
| 48 | 690602-5 | CAM, POST FEED, 1 1/8 | 48 |
| 47 | 690501-4 | CAM, POST-FEED 1 5/8 | 47 |
| 46 | 459456-1 | APPL. BASIC SUB ASSEMBLY | 46 |
| 45 | 690191-1 | PLUG, NYLON | 45 |
| 44 | 455673-1 | RAM | 44 |
| 43 | 690125-1 | SHIM SUB-ASSY | 43 |
| 42 | 690124-1 | WASHER, RAM (.115) | 42 |
| 41 | 7-21002-9 | SCR, BTN SKT HD CAP 5/16-24 X 1.00 | 41 |
| 40 | 23241-6 | BALL, STEEL | 40 |
| 39 | 690170-1 | SPRING, COMPRESSION | 39 |
| 38 | 1-690142-1 | DISC, INSULATION | 38 |
| 37 | 354777-1 | WIRE DISC, ASSEMBLY | 37 |
| 36 | 22480-5 | SPRING, COMPRESSION | 36 |
| 35 | 690212-1 | POST, RAM | 35 |
| 34 | 690786-1 | TERMINAL SUPPORT | 34 |
| 33 | - | - | 33 |
| 32 | - | - | 32 |
| 31 | - | - | 31 |
| 30 | 1320908-1 | SPACER, STRIP GUIDE | 30 |
| 29 | 1633091-1 | ASSEMBLY, STRIP GUIDE | 29 |
| 28 | 1-455888-0 | SPACER, CRIMPER | 28 |
| 27 | - | - | 27 |
| 26 | - | - | 26 |
| 25 | - | - | 25 |
| 24 | 1320928-1 | STRIP GUIDE | 24 |
| 23 | - | - | 23 |
| 22 | 690472-2 | STRIPPER | 22 |
| 21 | - | - | 21 |
| 20 | - | - | 20 |
| 19 | 691353-1 | STRIPPER | 19 |
| 18 | - | - | 18 |
| 17 | - | - | 17 |
| 16 | 318563-1 | GUARD, FRONT CHIP | 16 |
| 15 | - | - | 15 |
| 14 | - | - | 14 |
| 13 | - | - | 13 |
| 12 | 3-22280-3 | SPRING, COMPRESSION | 12 |
| 11 | 690461-1 | STOP, SHEAR | 11 |
| 10 | 690459-1 | SHEAR HOLDER, FRONT | 10 |
| 9 | 454276-1 | FLOATING SHEAR, FRONT | 9 |
| 8 | 1-1633116-3 | ANVIL, COMBINATION | 8 |
| 7 | - | - | 7 |
| 6 | - | - | 6 |
| 5 | 1-455889-4 | DEPRESSOR, SHEAR | 5 |
| 4 | 238011-9 | BLOCK, CRIMPER SPACER | 4 |
| 3 | 1-1424909-1 | CRIMPER, INSULATION F | 3 |
| 2 | 455888-4 | SPACER, CRIMPER | 2 |
| 1 | 1-1673600-4 | CRIMPER, WIRE | 1 |