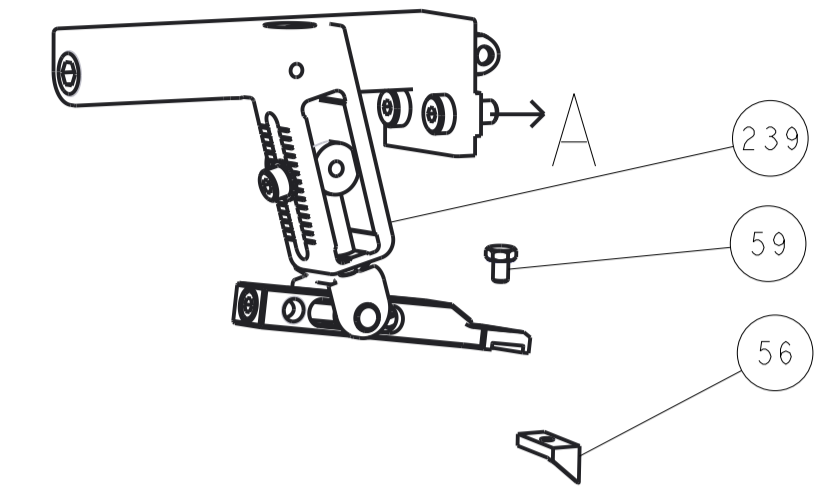
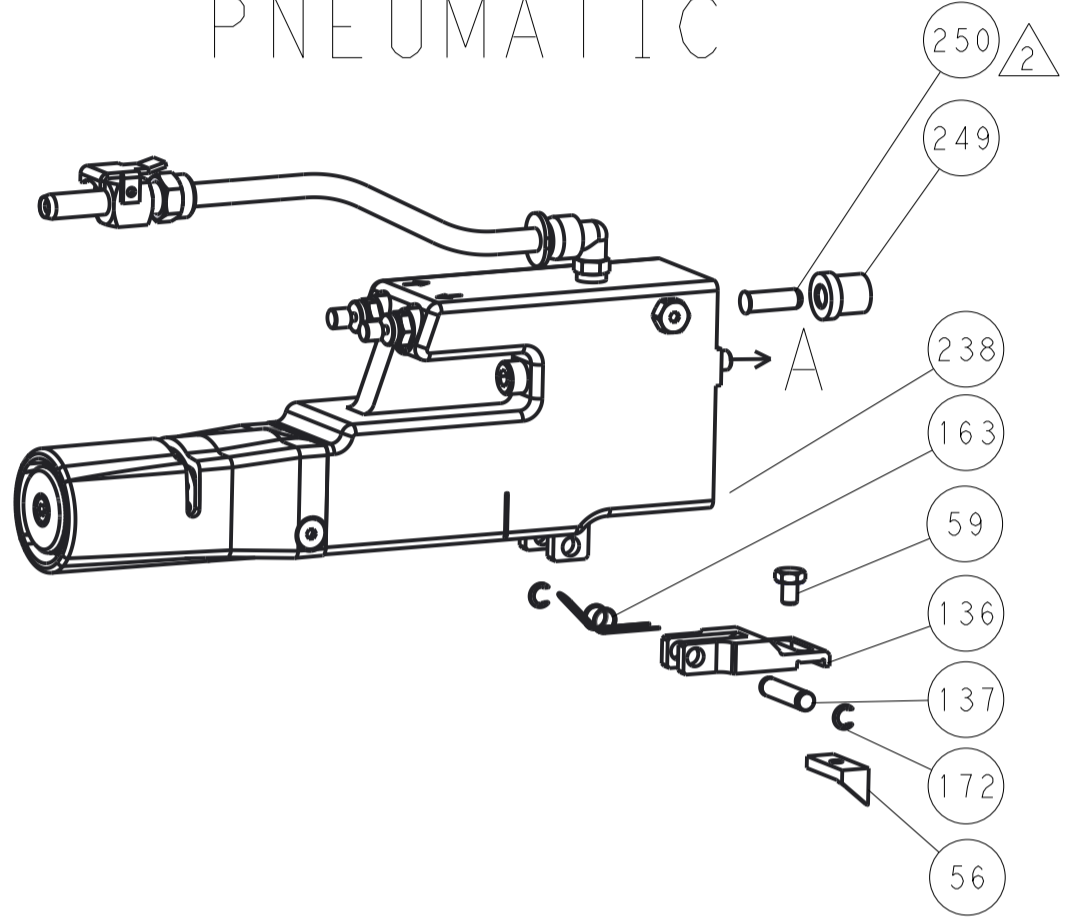


LOC		DIST		REVISIONS			
A	66	P	LTM	DESCRIPTION	DATE	DWN	APVD
		-	-	SEE SHEET 1	-	-	-

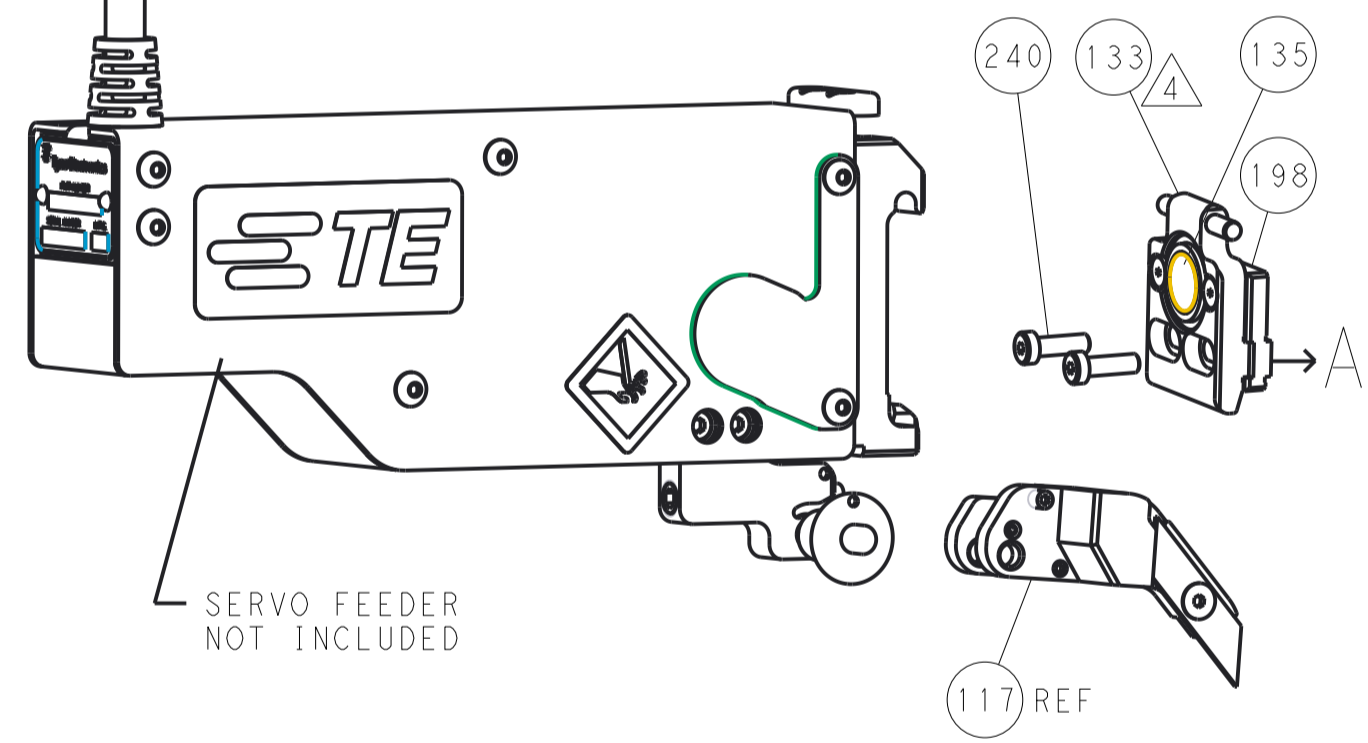
FEED TYPE MECHANICAL



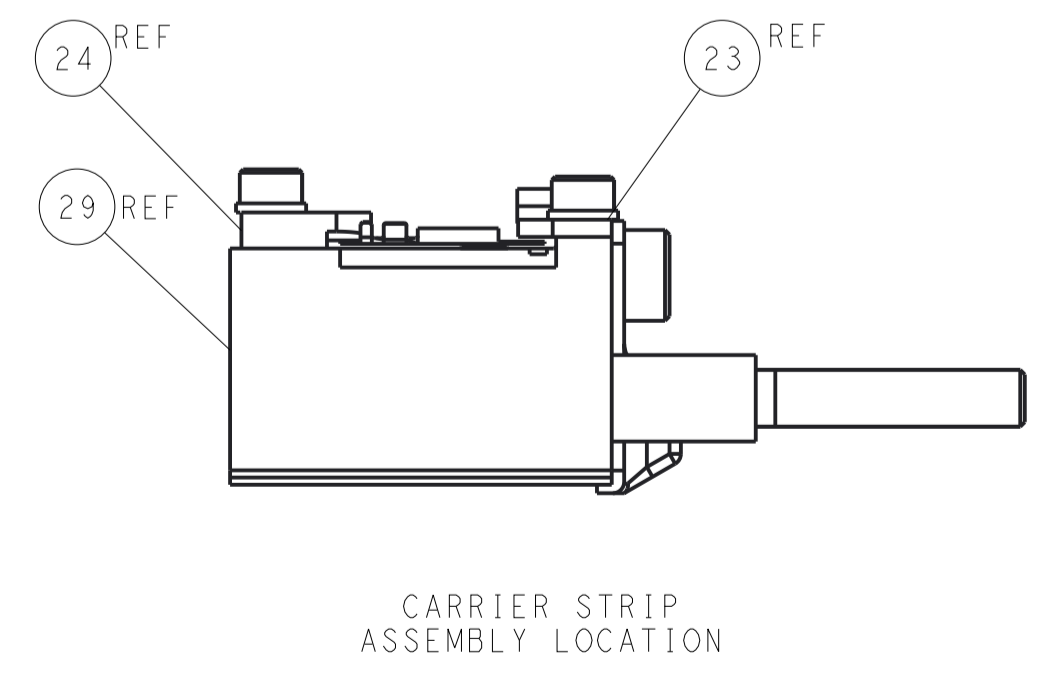
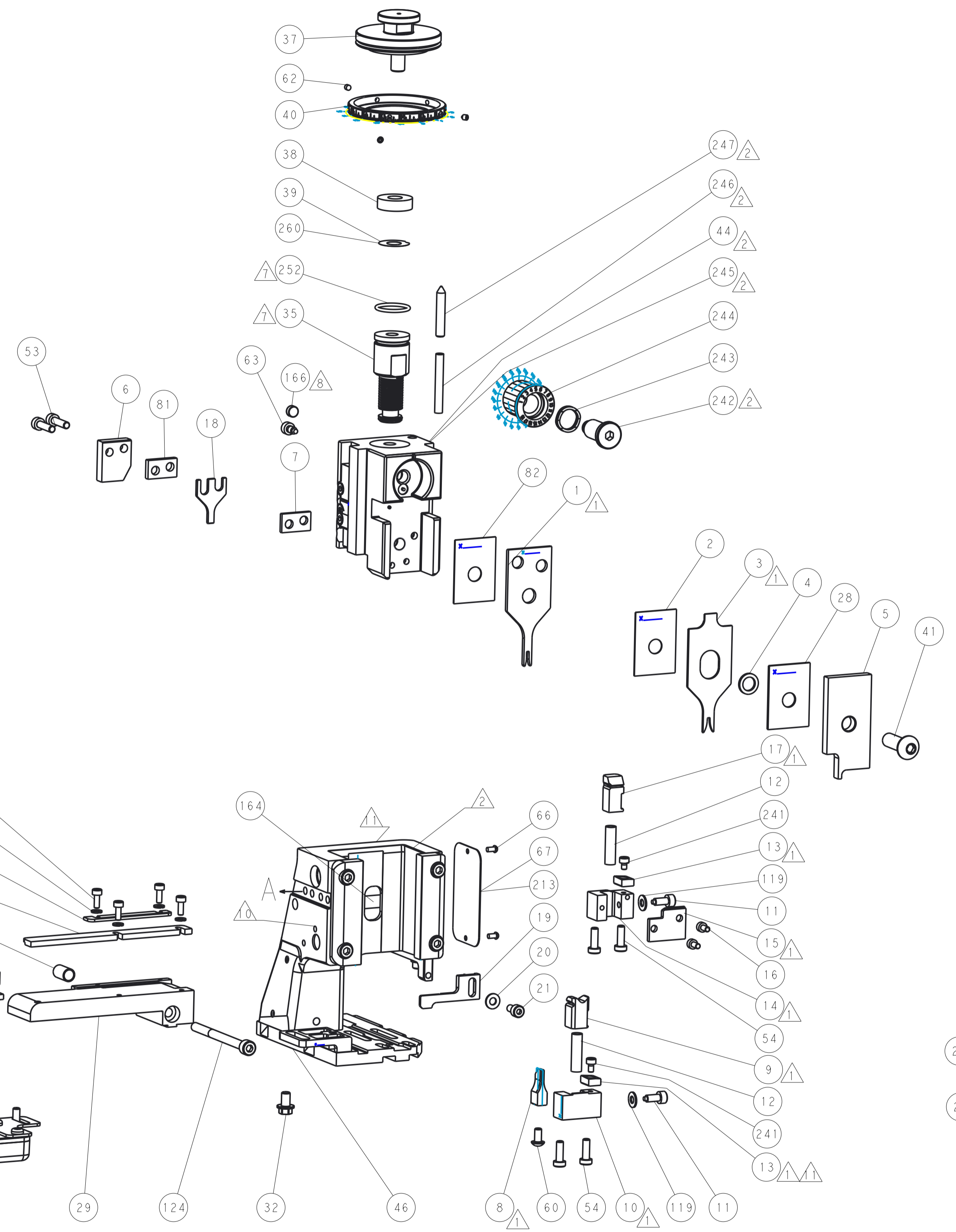
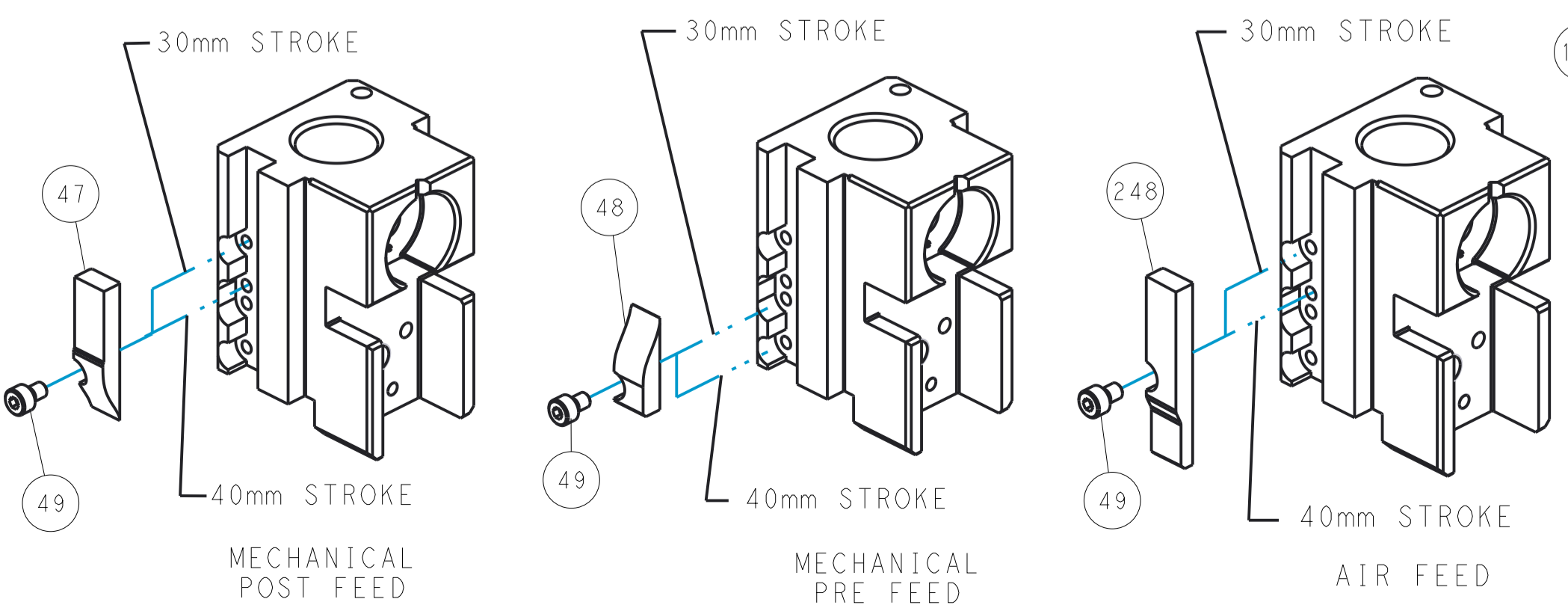
PNEUMATIC



SERVO LATCH PLATE



CAM POSITIONS



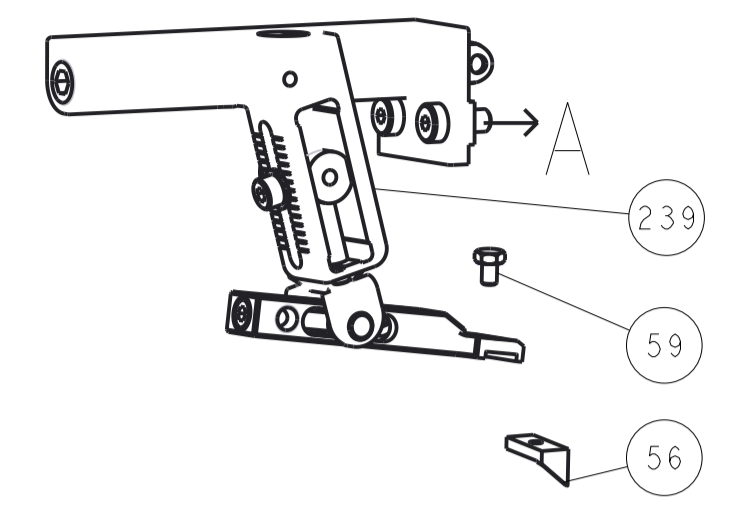
ATLANTIC VERSION
 Shown on sheets 1 of 4 & 2 of 4
 (Pacific version shown on sheets 3 of 4 & 4 of 4)

<small>THIS DRAWING IS UNPUBLISHED. RELEASED FOR PUBLICATION BY TYCO ELECTRONICS CORPORATION. ALL RIGHTS RESERVED.</small>		DWN: L. ZHANG 16NOV2011 CHK: L. ZHANG 16NOV2011 S. XI 16NOV2011 APVD: S. XI 16NOV2011	TE Connectivity Harrisburg, PA 17105-3608
DIMENSIONS: mm TOLERANCES UNLESS OTHERWISE SPECIFIED: 0 PLC ±0.5 1 PLC ±0.13 3 PLC ±0.013 4 PLC ±0.0013 ANGLES ±0.001		NAME: Ocean Side Feed Applicator SIZE: A1 CAGE CODE: 00779 DRAWING NO: 2151022	RESTRICTED TO: - SCALE: 1:2 SHEET: 2 of 4 REV: E1
MATERIAL: - FINISH: -		WEIGHT: - Customer Accessible Production Drawing	SHEETS 3 & 4 ARE NOT REQUIRED FOR ATLANTIC VERSION

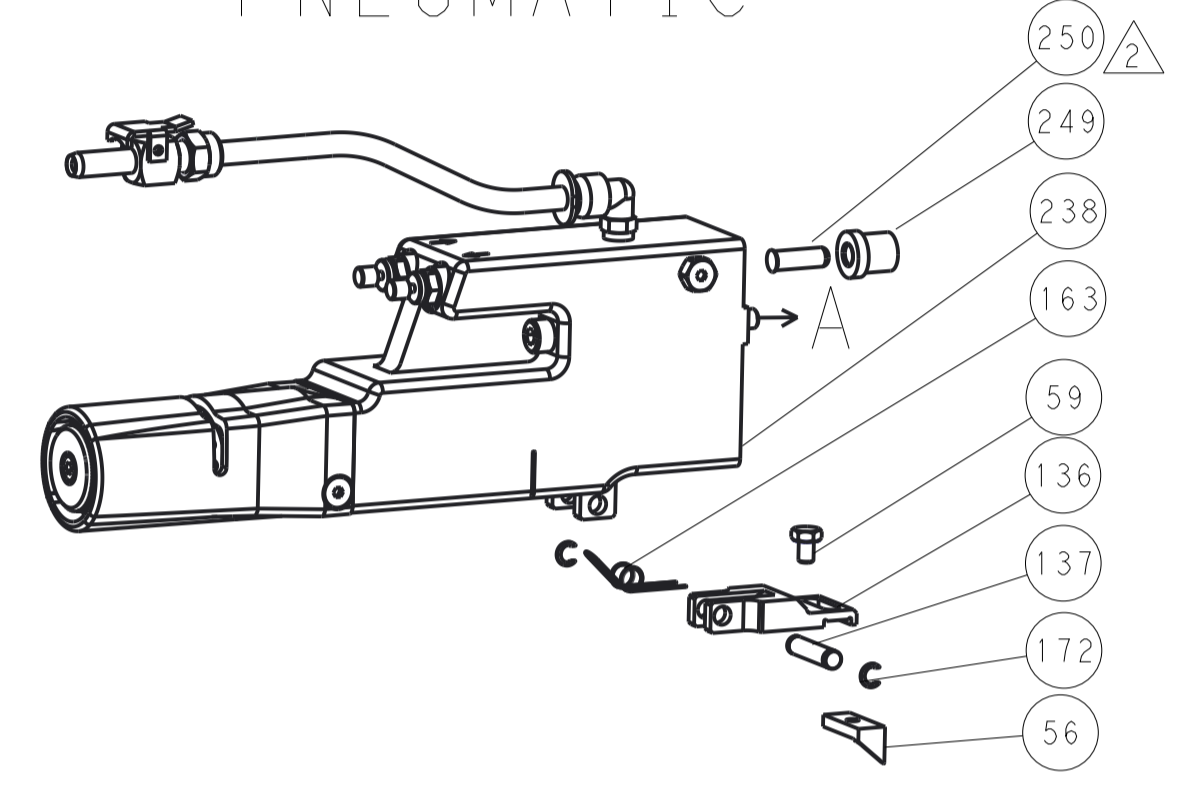
REVISONS		DATE	DWN	APVD
LOC	DIST			
A	66			
P. LTM	DESCRIPTION			
-	SEE SHEET 1			

FEED TYPE

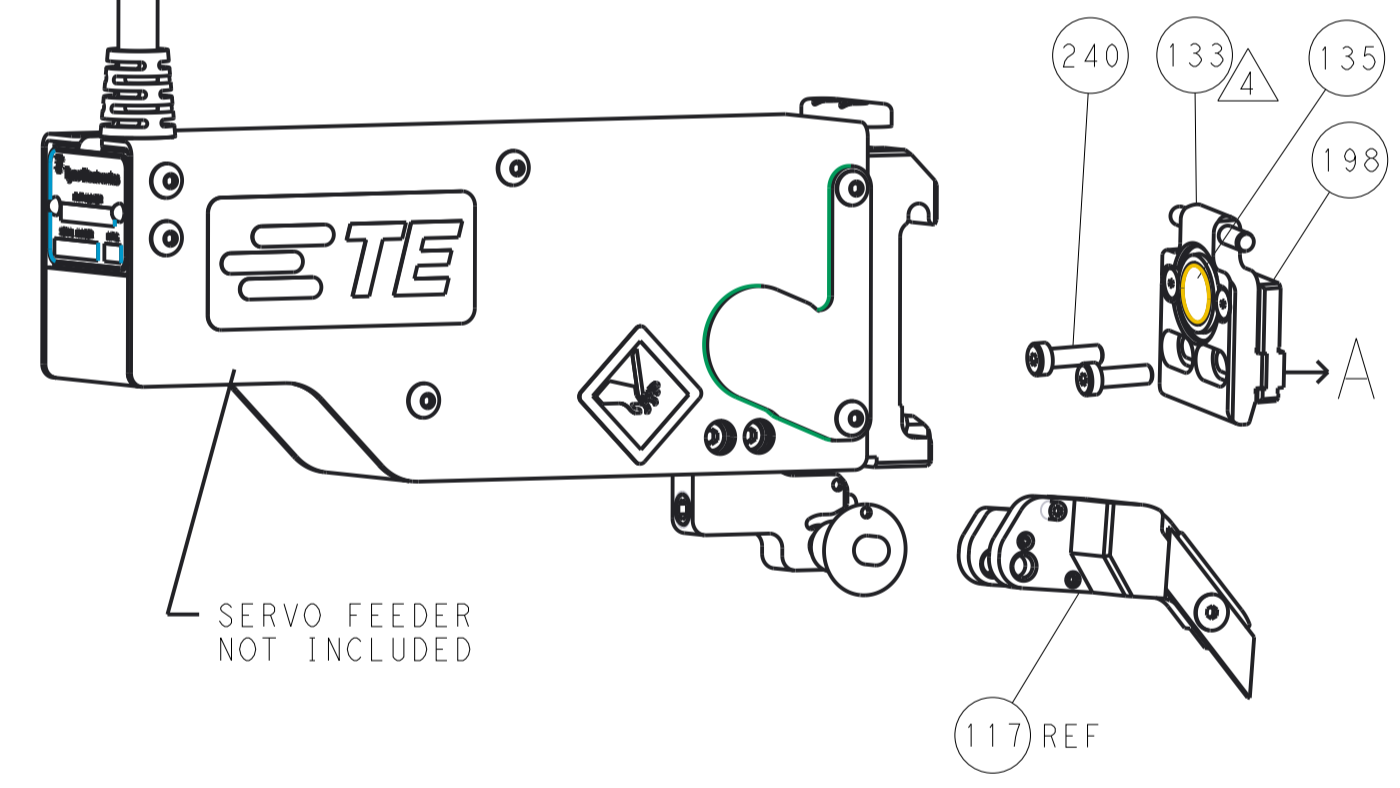
MECHANICAL



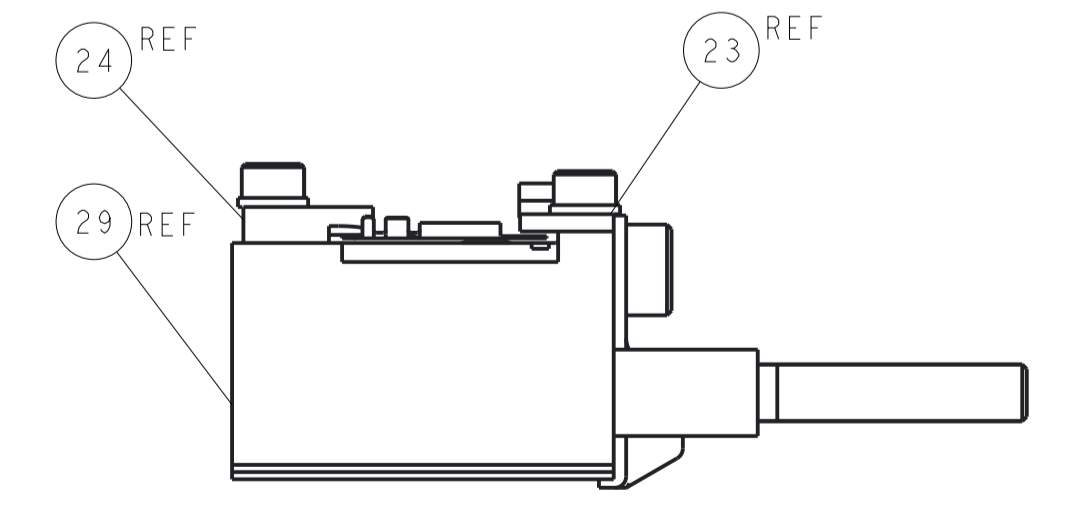
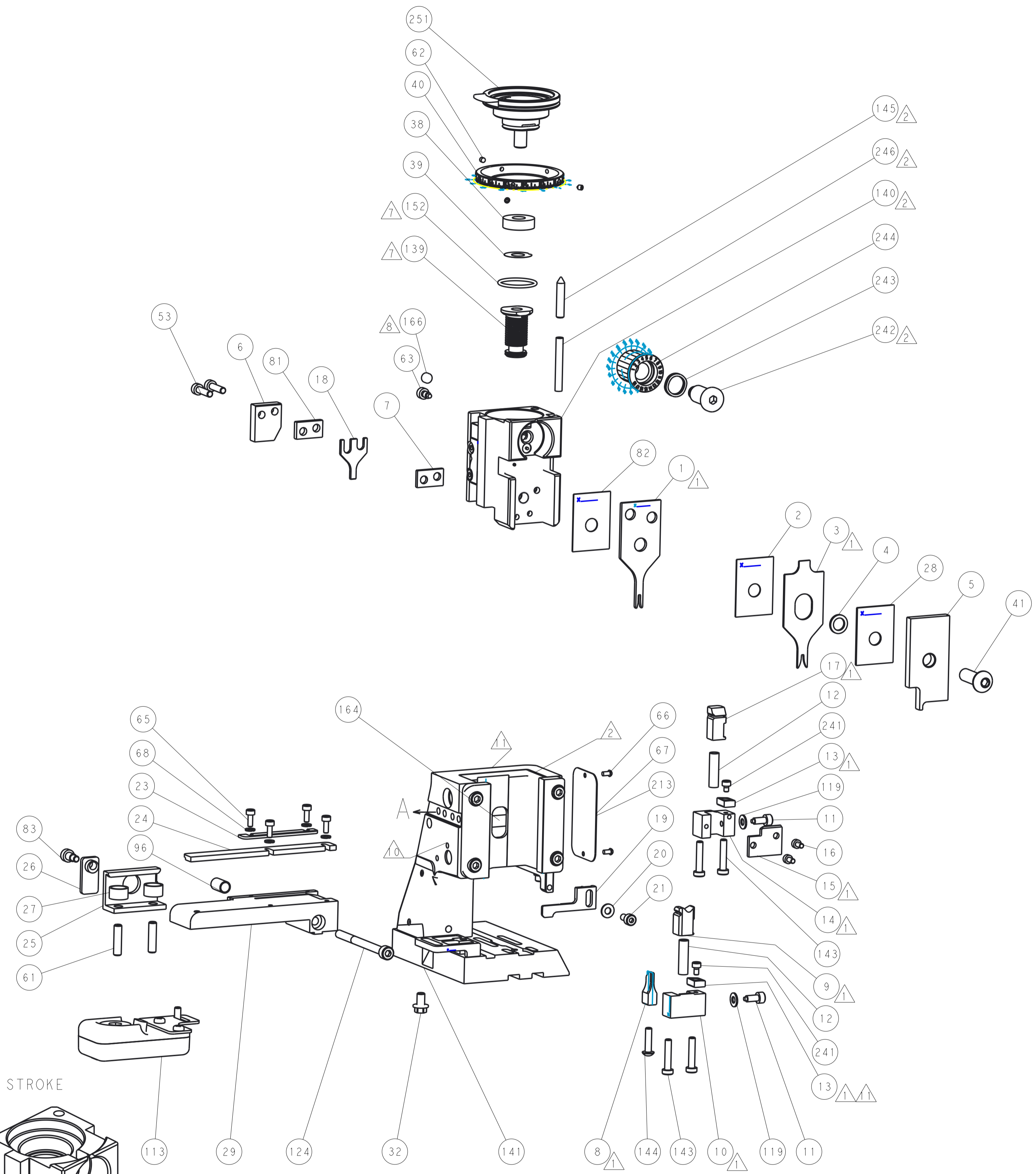
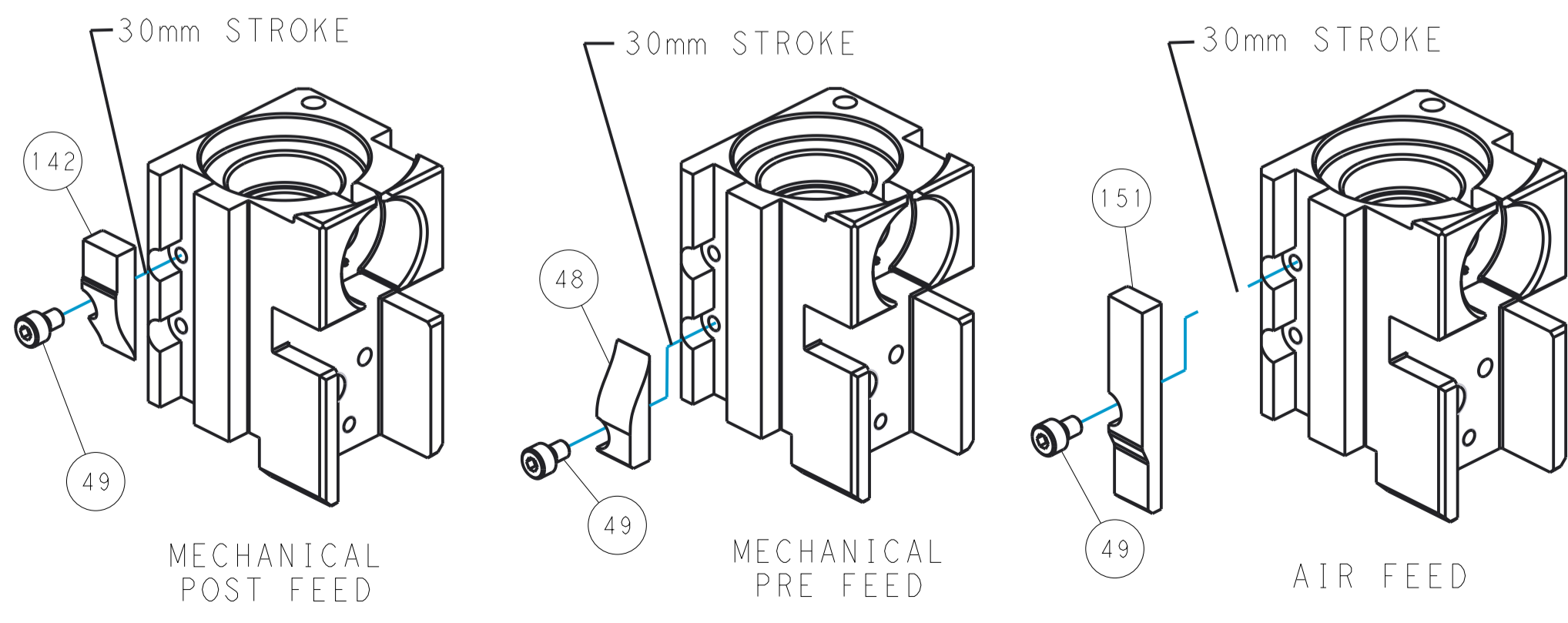
PNEUMATIC



SERVO LATCH PLATE



CAM POSITIONS



CARRIER STRIP ASSEMBLY LOCATION

PACIFIC VERSION
 Shown on sheets 3 of 4 & 4 of 4
 (Atlantic version shown on sheets 1 of 4 & 2 of 4)

DIMENSIONS: mm 		TOLERANCES UNLESS OTHERWISE SPECIFIED: 0 PLC ±.5 1 PLC ±0.5 2 PLC ±0.13 3 PLC ±0.013 4 PLC ±0.001 ANGLES ±.1		DWN L. ZHANG 16NOV2011 CHK L. ZHANG 16NOV2011 APVD S. XI 16NOV2011		NAME Ocean Side Feed Applicator	
MATERIAL:		FINISH:		WEIGHT:		SIZE CAGE CODE DRAWING NO A 00779 C=2151022	
Customer Accessible Production Drawing				SCALE 1:2		SHEET 4 OF 4 REV E1	