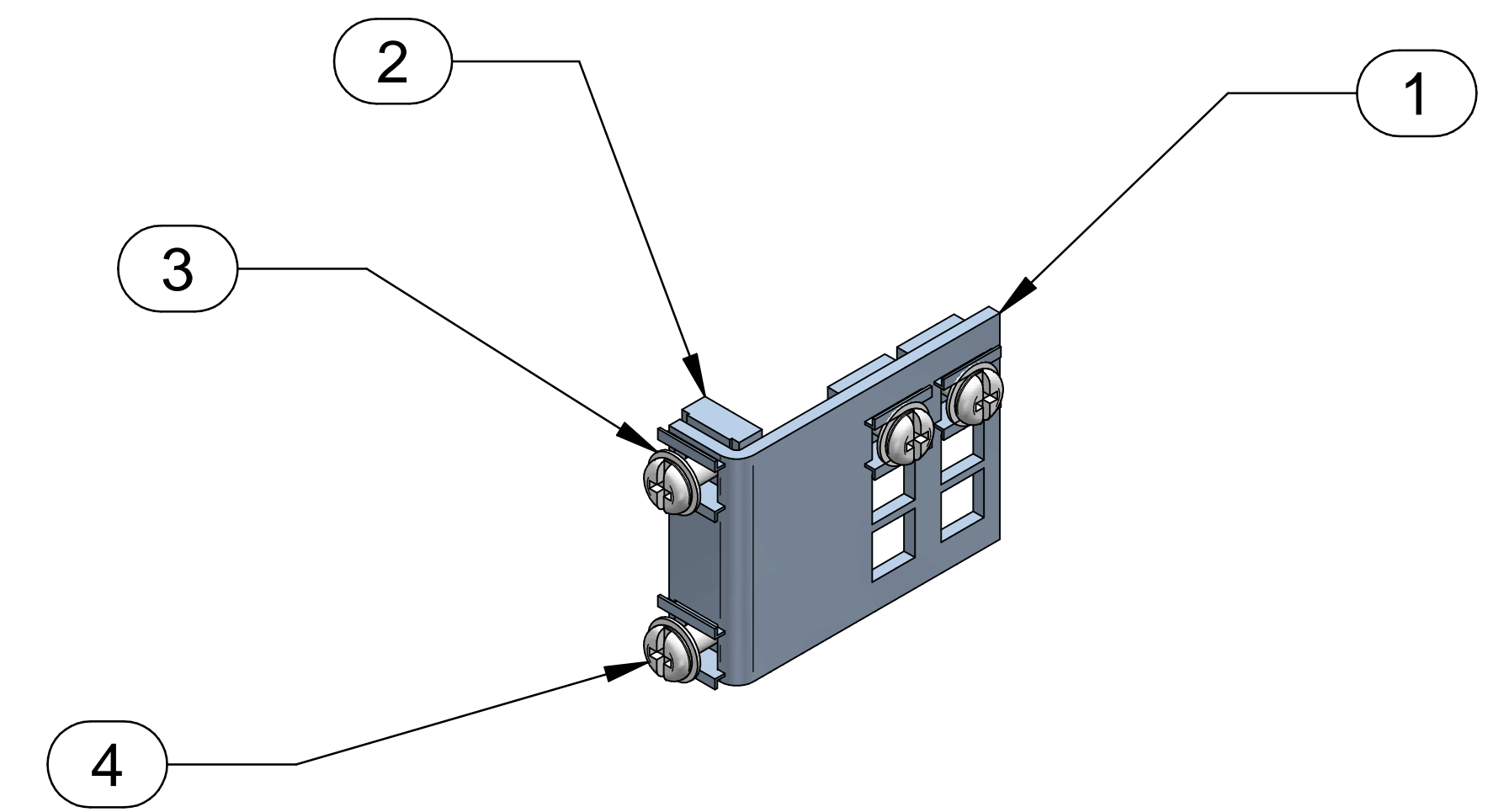
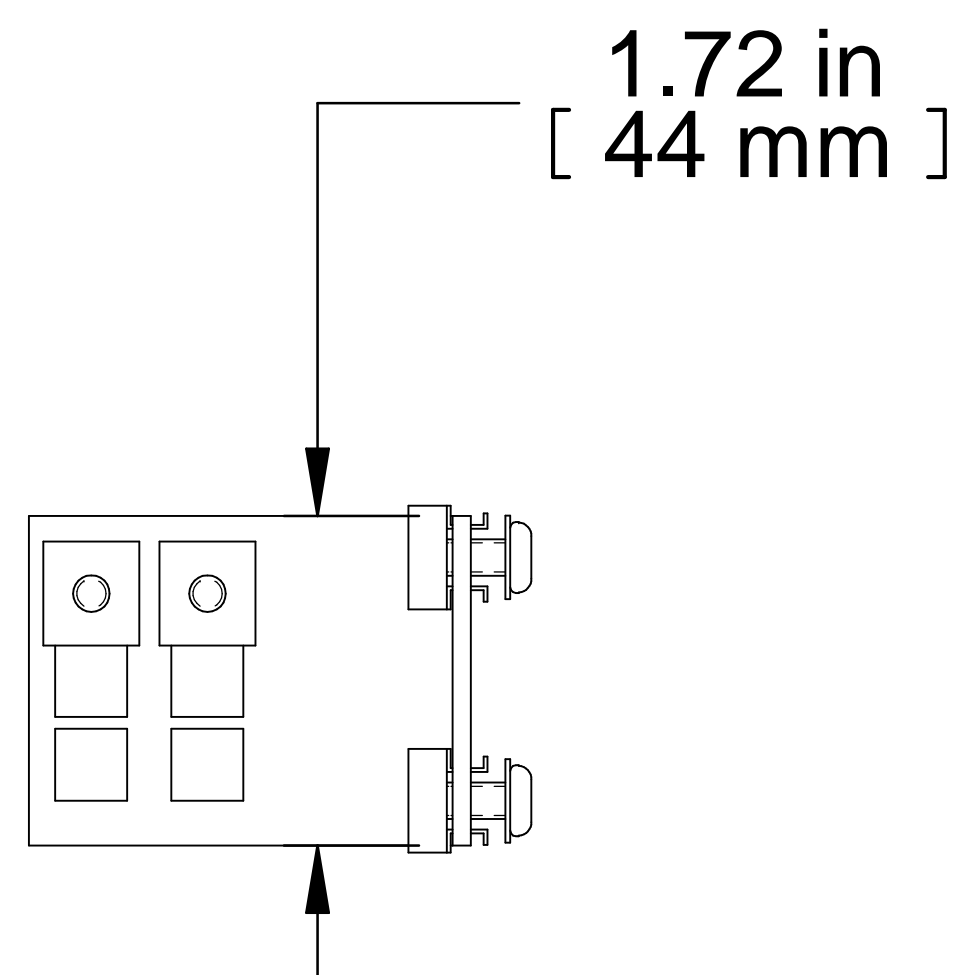


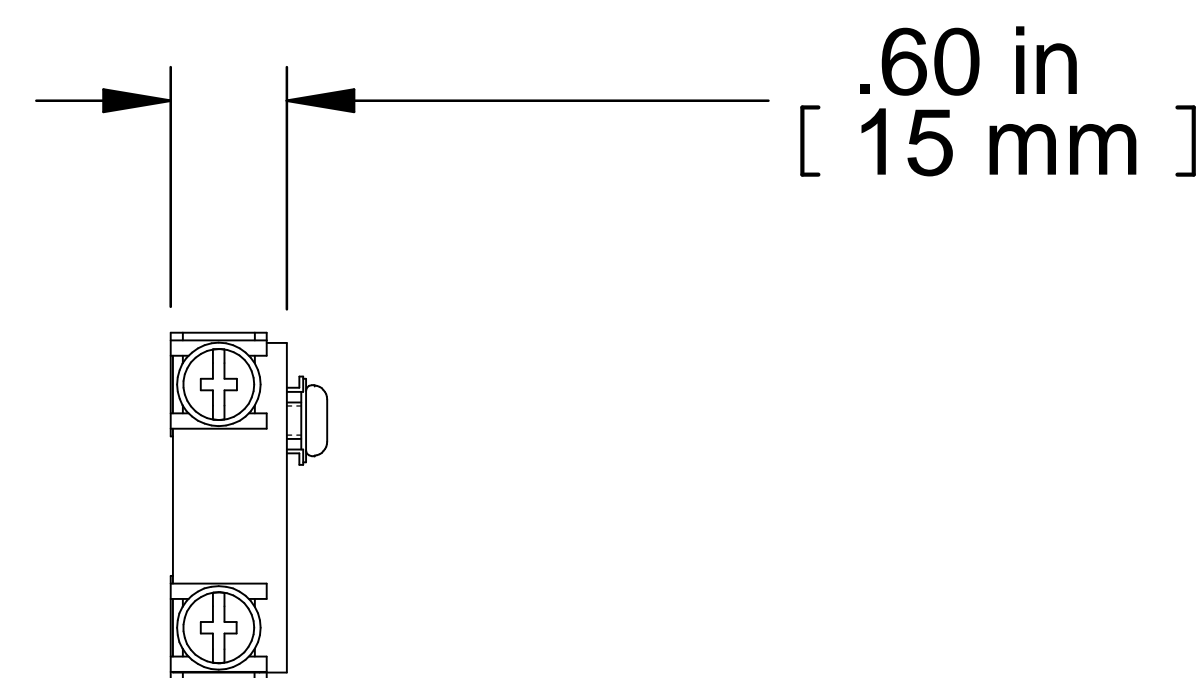
TOP VIEW



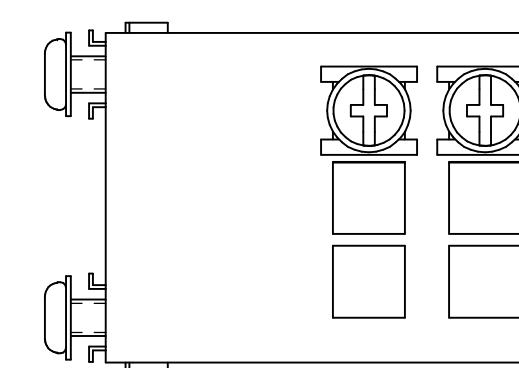
ISOMETRIC



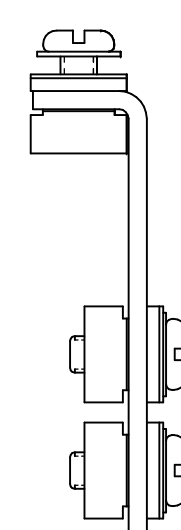
L.S. VIEW



FRONT VIEW



R.S. VIEW



BOTTOM VIEW

Item Number	Title	Quantity
1	FIXED SHELF RAIL ADAPTOR BRACKET	1
2	#10-32 CAGE NUT	4
3	#10 FLAT STEEL WASHER	4
4	#10-32 X 1/2 SCREW	4

PART NUMBERS

FSRA

PAINTED BLACK (BK2)

NOTES

Sold in Set of 4

Hardware Included (Not Assembled)

See Hammond Website for Application Details

Français

Pour tous les détails sur nos produits, svp veuillez consulter notre site www.hammondmfg.com

Data subject to change without notice. Isometric drawing not to scale. Les données sont sujettes à changement sans préavis.



www.hammondmfg.com



PART NO. FSRA