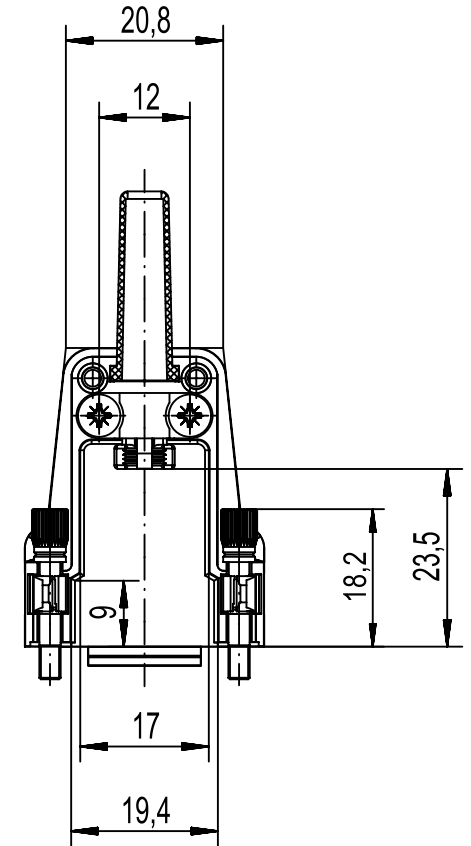



view of the hood without lid



Cable diameter without rubber bushing:
 ØF min: 3 mm
 ØF max: 9,5 mm

Cable diameter with rubber bushing:
 ØF max: 6,5 mm

	All rights reserved Department EC PD - FR	All Dimensions in mm Original Size DIN A4		Scale 1:1	Free size tol.		Ref.		
		Created by DOUGE		Inspected by BAGDIKIAN		Standardisation HOFFMANN		Date 2014-02-14	
HARTING Electronics GmbH D-32339 Espelkamp		Title D-Sub 9-poles metal hood top entry						State Final Release	
Part number 09670090320		Screw thread 4-40 UNC-2A		Type TB		Number 09670090320		Doc-Key / ECM-Nr. 100527872/UGD/001/B 500000071307	
								Rev. B	Page 1/1