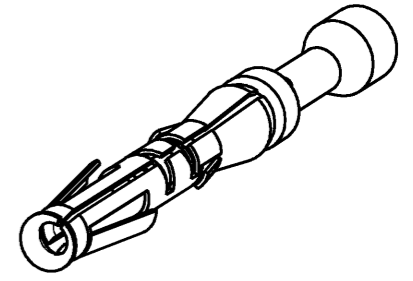
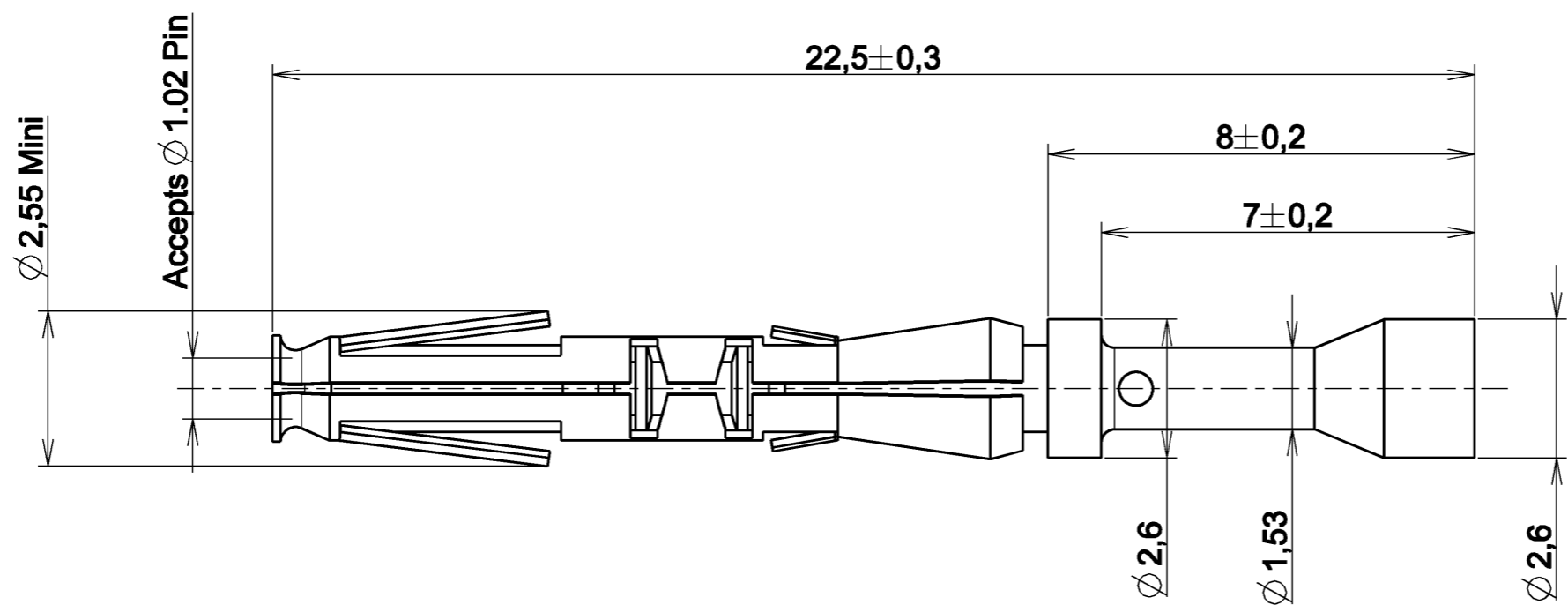


a : 2 : RL



ECHELLE 4/1

Notes :

- Machined contact
- Extraction tool : RX20D44
- Crimp tooling : S20RCM

Material :

- Contact body: high conductive copper alloy
- : plating: K : 0.4 micron gold over nickel
- Retaining spring: stainless steel

Performance Characteristics :

- Contact retention in the body: 50N max
- Contact insertion force: 5N max
- Contact separation force: 2N min
- Current rating: 7.5 Amps
- Contact resistance: 6mΩ max
- Dielectric withstanding voltage: 1500 Vrms min
- Diameter over insulation 0.90 mm min up to 1.60 mm max
- Section of wire 0.12 mm² min up to 0.25 mm² max
- Wire strip length : 4.8 mm

P/N : RC24W3K

A	04/03/11	FIRST ISSUE	21654
ISS	DATE	Latest modification - by:	MOD N°
Designed by: MOREAU F.		Date: 04/03/11	CUSTOMER DRAWING
TITLE		FEMALE CRIMP CONTACT AWG 26 - 24	
		CONNECTOR UTOW	
Scale		General linear Tolerances: ± 0.1	NPRDS / PROJECT RC
8/1			
		WWW.SOURIAU.COM	This document is the property of SOURIAU. It must not be reproduced or communicated without permission.
FORMAT	SOURIAU DRG N° RC24W3K-C01		SHEET
A3			1 / 1