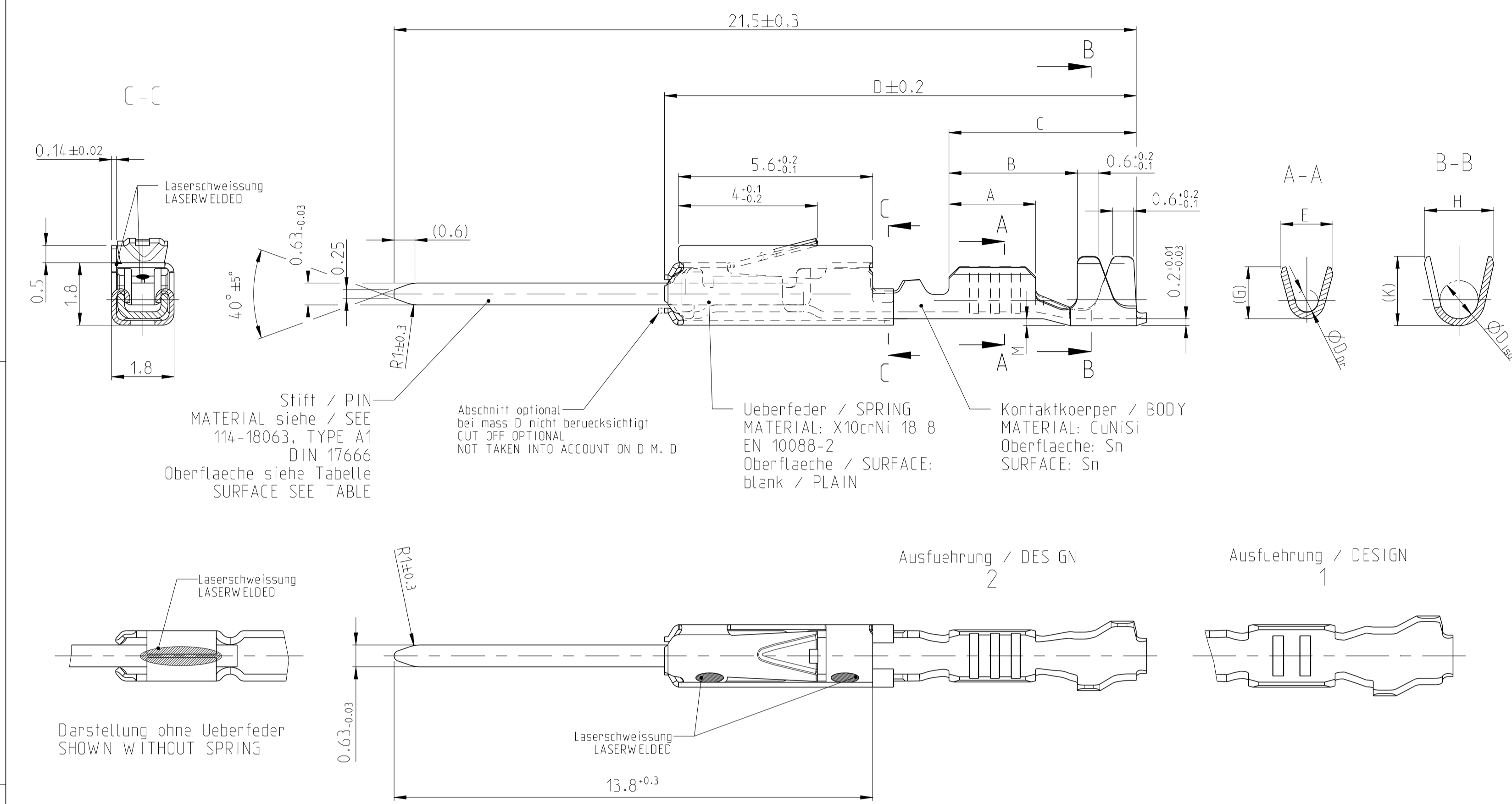
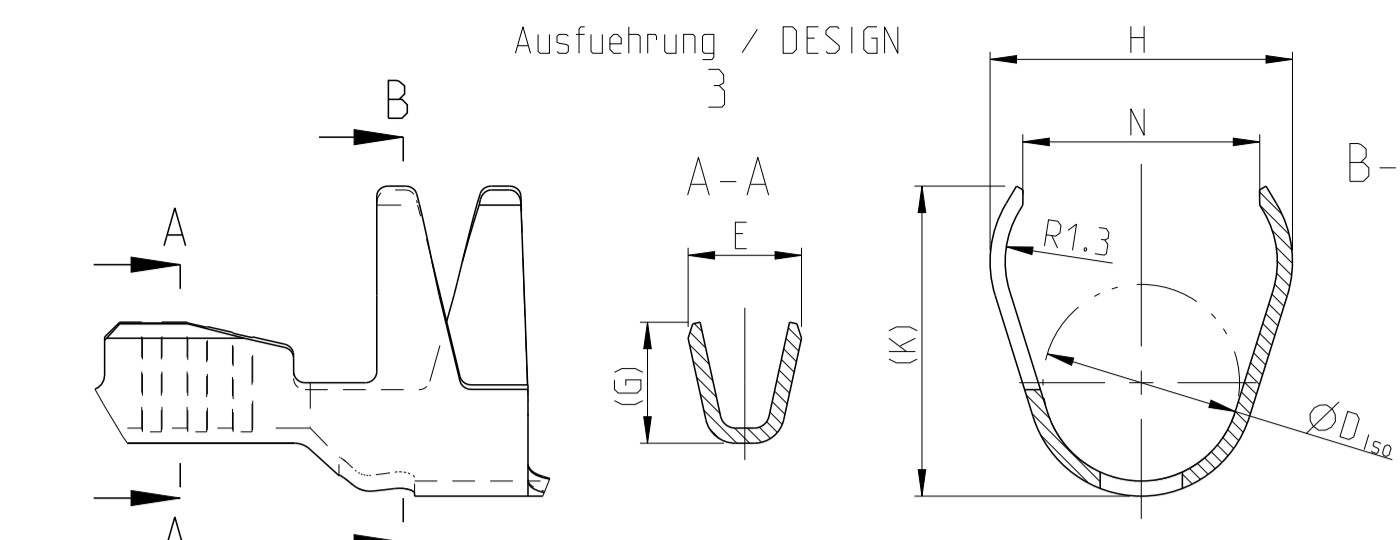
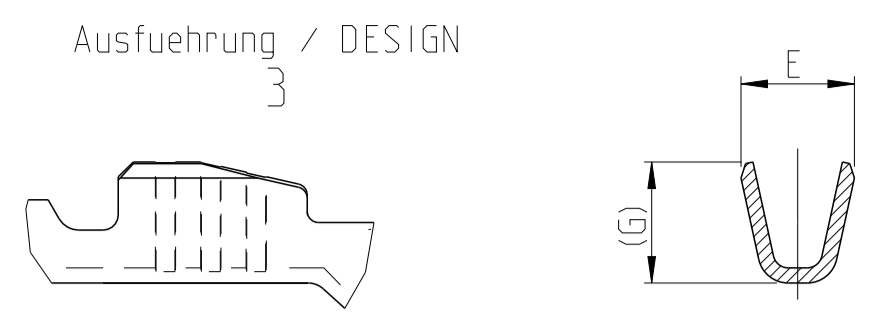


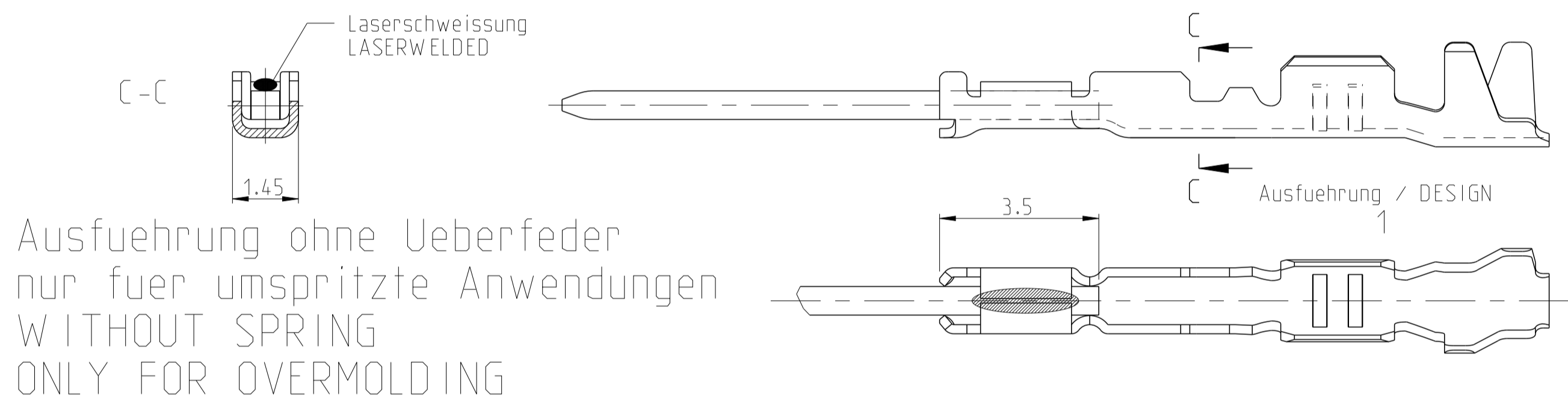
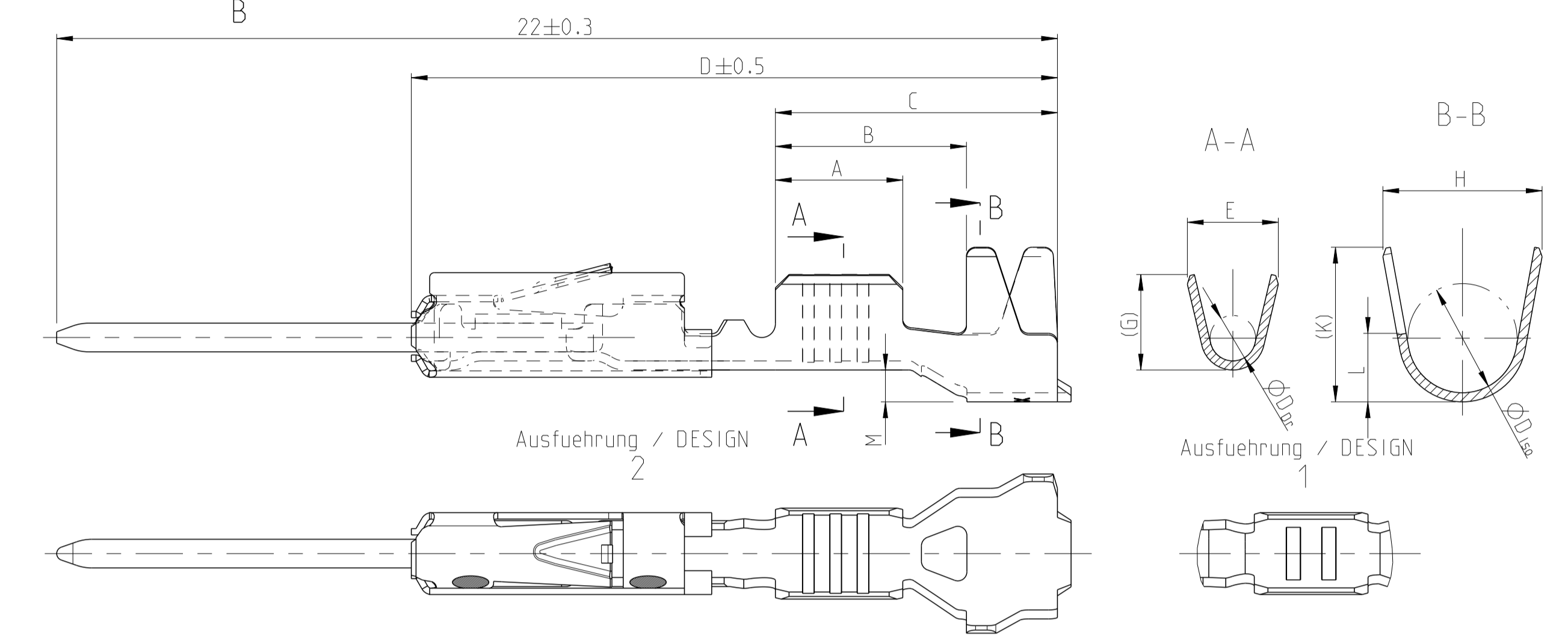
Normale Anwendung
 USUAL APPLICATION



Darstellung ohne Ueberfeder
 SHOWN WITHOUT SPRING



Einzelichtungssystem
 SINGLE WIRE SEAL SYSTEM



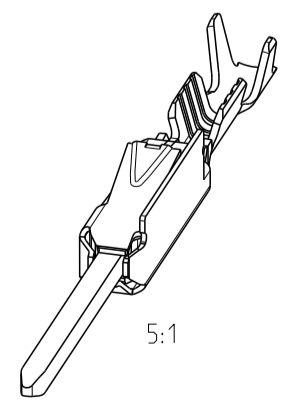
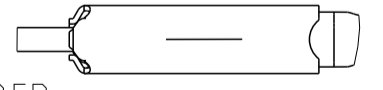
Ausfuehrung ohne Ueberfeder
 nur fuer umspritzte Anwendungen
 WITHOUT SPRING
 ONLY FOR OVERMOLDING

LOC	DIST	REVISIONS					
A1	-	P	LTN	DESCRIPTION	DATE	DN	APVD
		C19		Design 2 Dim. 22-0.3 was 21.5 ECR-13-019019	09JAN2014	Abt	Brun
		C20		6-963716-2 NO SPRING AVAILABLE	17JUL2014	Mgh	Brun
		C21		NOTE 7 ADDED. ECR-15-007039	06MAY2015	Abt	Brun
		C22		GOLD VARIANT UPDATE	03MAY2016	Ho.	Brun

Bestell-Nr. Ausfuehrung ORDER NO. DESIGN	Bestell-Nr. Ausfuehrung ORDER NO. DESIGN	Rev	Bestell-Nr. Ausfuehrung ORDER NO. DESIGN	Rev	Ueberfeder vorhanden SPRING AVAILABLE	VERSION	DGB Wire Size Range mm ²	Oberflaeche SURFACE	Laenge LENGTH mm	Drahtcrimp WIRE CRIMP mm	Iso-crimp INSU-CRIMP mm	Gewicht WEIGHT g	Verarbeitung Spez. APPLICATION SPEC.	DGB Wire Size Range mm ²	Isolations Ø INSULATION DIA. mm	fuer Kammer Ø3.45 FOR CAVITY DIA. 3.45 mm	Blindstopfen RUBBER PLUG	fuer Kammer Ø4 FOR CAVITY DIA. 4 mm	Blindstopfen RUBBER PLUG													
5-965908-2	F		965908-2	E	ja / YES	Einzelichtungssystem SINGLE WIRE SEAL SYSTEM	0.50-0.75	Au	A = 2.8 B = 4.2 C = 6.2 D = 14.3 M = 0.7	E = 2 Dr = 1	H = 3.5 K = 3.4 L = 1.5 D _{Iso} = 2.4	0.18	114-18025	0.75	1.4-1.9	967067-1 gruen GREEN	967056-1 blau / BLUE	963142-1 schwarz BLACK	963143-1 weiss / WHITE													
5-965908-1	D		965908-1	C	ja / YES		0.25-0.35	Sn	A = 2.5 B = 3.9 C = 5.9 D = 14 M = 0.7	E = 1.8 Dr = 0.8	H = 3.5 K = 3.4 L = 1.5 D _{Iso} = 2.4	0.12		0.5		967067-2 gelb YELLOW		963142-2 grau GREY														
-	-		1-962886-1	N	nein / NO		0.13-0.17	Ag	A = 2.5 B = 4 C = 5.9 D = 13.9 M = 0.6	E = 1.5 G = 1.4	H = 4 K = 3.9 N = 3.1 D _{Iso} = 2.6	0.15		0.35	0.9-1.4	967067-2 gelb YELLOW	963142-2 grau GREY															
5-962886-2	R		962886-2	M	ja / YES		normale Anwendung USUAL APPLICATION	0.50-0.75	Au	A = 2.8 B = 3.8 C = 5.6 D = 13.65 M = 0.2	E = 2 Dr = 1	H = 2.7 K = 2.9 L = 0.7 D _{Iso} = 1.6		0.17	114-18021																	
5-962886-1	N		962886-1	M	ja / YES			0.25-0.35	Sn	A = 2.5 B = 3.6 C = 5.6 D = 13.65 M = 0.2	E = 1.8 G = 1.8 Dr = 0.8	H = 2.3 K = 2.3 L = 0.6 D _{Iso} = 1.4		0.16								0.13	0.85-1.25	967067-2 gelb YELLOW	963142-2 grau GREY							
2141830-3	A				ja / YES			0.13-0.17	Ag	A = 2.5 B = 3.7 C = 5.4 D = 13.65 M = 0	E = 1.5 G = 1.4	H = 2 K = 1.9 D _{Iso} = 1.1		0.15								0.17										
2141830-2	A				ja / YES			0.50-0.75	Au	A = 2.5 B = 3.6 C = 5.6 D = 13.65 M = 0.2	E = 1.8 G = 1.8 Dr = 0.8	H = 2.3 K = 2.3 L = 0.6 D _{Iso} = 1.4		0.16								0.17										
2141830-1	A				ja / YES			0.25-0.35	Sn	A = 2.5 B = 3.6 C = 5.6 D = 13.65 M = 0.2	E = 1.8 G = 1.8 Dr = 0.8	H = 2.3 K = 2.3 L = 0.6 D _{Iso} = 1.4		0.16								0.17										
6-963716-2	A				nein / NO			normale Anwendung USUAL APPLICATION	0.50-0.75	Au	A = 2.5 B = 3.6 C = 5.6 D = 13.65 M = 0.2	E = 1.8 G = 1.8 Dr = 0.8		H = 2.3 K = 2.3 L = 0.6 D _{Iso} = 1.4								0.16	114-18021									
6-963716-1	A				nein / NO				0.13-0.17	Ag	A = 2.5 B = 3.6 C = 5.6 D = 13.65 M = 0.2	E = 1.8 G = 1.8 Dr = 0.8		H = 2.3 K = 2.3 L = 0.6 D _{Iso} = 1.4								0.16								0.17		
-	-		1-963716-2	B	nein / NO	0.08-0.22			Sn	A = 2.5 B = 3.6 C = 5.6 D = 13.65 M = 0.2	E = 1.8 G = 1.8 Dr = 0.8	H = 2.3 K = 2.3 L = 0.6 D _{Iso} = 1.4	0.16	0.17																		
5-963716-3	A				ja / YES	0.50-0.75			Ag	A = 2.5 B = 3.6 C = 5.6 D = 13.65 M = 0.2	E = 1.8 G = 1.8 Dr = 0.8	H = 2.3 K = 2.3 L = 0.6 D _{Iso} = 1.4	0.16	0.17																		
5-963716-2	Z		963716-2	Y	ja / YES	0.13-0.17			Au	A = 2.5 B = 3.6 C = 5.6 D = 13.65 M = 0.2	E = 1.8 G = 1.8 Dr = 0.8	H = 2.3 K = 2.3 L = 0.6 D _{Iso} = 1.4	0.16	0.17																		
5-963716-1	W		963716-1	V	ja / YES	0.50-0.75	Sn		A = 2.5 B = 3.6 C = 5.6 D = 13.65 M = 0.2	E = 1.8 G = 1.8 Dr = 0.8	H = 2.3 K = 2.3 L = 0.6 D _{Iso} = 1.4	0.16	0.17																			
6-928918-3	A				ja / YES	0.25-0.35	Ag		A = 2.5 B = 3.6 C = 5.6 D = 13.65 M = 0.2	E = 1.8 G = 1.8 Dr = 0.8	H = 2.3 K = 2.3 L = 0.6 D _{Iso} = 1.4	0.16	0.17																			
6-928918-2	Z		1-928918-2	Y	ja / YES	0.13-0.17	Au		A = 2.5 B = 3.6 C = 5.6 D = 13.65 M = 0.2	E = 1.8 G = 1.8 Dr = 0.8	H = 2.3 K = 2.3 L = 0.6 D _{Iso} = 1.4	0.16	0.17																			
6-928918-1	W		1-928918-1	V	ja / YES	0.50-0.75	Sn		A = 2.5 B = 3.6 C = 5.6 D = 13.65 M = 0.2	E = 1.8 G = 1.8 Dr = 0.8	H = 2.3 K = 2.3 L = 0.6 D _{Iso} = 1.4	0.16	0.17																			
5-928918-2	A		928918-2	Y	nein / NO	0.13-0.17	Au		A = 2.5 B = 3.6 C = 5.6 D = 13.65 M = 0.2	E = 1.8 G = 1.8 Dr = 0.8	H = 2.3 K = 2.3 L = 0.6 D _{Iso} = 1.4	0.16	0.17																			
5-928918-1	W		928918-1	V	nein / NO	0.08-0.22	Sn	A = 2.5 B = 3.6 C = 5.6 D = 13.65 M = 0.2	E = 1.8 G = 1.8 Dr = 0.8	H = 2.3 K = 2.3 L = 0.6 D _{Iso} = 1.4	0.16	0.17																				
2141828-3	A				ja / YES	normale Anwendung USUAL APPLICATION	0.13-0.17	Ag	A = 2.5 B = 3.6 C = 5.6 D = 13.65 M = 0.2	E = 1.8 G = 1.8 Dr = 0.8	H = 2.3 K = 2.3 L = 0.6 D _{Iso} = 1.4	0.16	0.17																			
2141828-2	A				ja / YES		0.50-0.75	Au	A = 2.5 B = 3.6 C = 5.6 D = 13.65 M = 0.2	E = 1.8 G = 1.8 Dr = 0.8	H = 2.3 K = 2.3 L = 0.6 D _{Iso} = 1.4	0.16	0.17																			
2141828-1	A				ja / YES		0.25-0.35	Sn	A = 2.5 B = 3.6 C = 5.6 D = 13.65 M = 0.2	E = 1.8 G = 1.8 Dr = 0.8	H = 2.3 K = 2.3 L = 0.6 D _{Iso} = 1.4	0.16	0.17																			
1355719-2	C				ja / YES	normale Anwendung USUAL APPLICATION	0.13-0.17	Ag	A = 2.5 B = 3.6 C = 5.6 D = 13.65 M = 0.2	E = 1.8 G = 1.8 Dr = 0.8	H = 2.3 K = 2.3 L = 0.6 D _{Iso} = 1.4	0.16	0.17																			
1355719-1	C				ja / YES		0.50-0.75	Au	A = 2.5 B = 3.6 C = 5.6 D = 13.65 M = 0.2	E = 1.8 G = 1.8 Dr = 0.8	H = 2.3 K = 2.3 L = 0.6 D _{Iso} = 1.4	0.16	0.17																			
1355719-1	C				ja / YES		0.25-0.35	Sn	A = 2.5 B = 3.6 C = 5.6 D = 13.65 M = 0.2	E = 1.8 G = 1.8 Dr = 0.8	H = 2.3 K = 2.3 L = 0.6 D _{Iso} = 1.4	0.16	0.17																			

Bemerkungen

- Datumcode (woche/Jahr z.B. KW 38/Jahr2009) und TE-Revision (z.B. Rev.A) DATE CODE (WEEK/YEAR E.G. WEEK NUMBER 38/YEAR2009) AND TE REVISION (E.G. REV. A)
- Passend zu Buchsenkontakt siehe Zeichnung 929454 SUITABLE FOR SOCKET CONTACT SEE DRAWING 929454
- Einzelheiten der Ausfuehrung bleiben dem Hersteller ueberlassen DETAILS OF DESIGN ARE LEFT TO MANUFACTURER
- Nur fuer FLR-Leitung nach DIN 72551 Teil 6 FOR FLR-CONDUCTOR ACCORDING TO DIN 72551-6 ONLY
- nicht fuer Neuanwendung NOT FOR NEW APPLICATION
- zugverstaerkte Leitung nach LV 112-4 REINFORCED WIRE ACCORDING LV 112-4
- Bei doppelt fallenden Werkzeugen wird die erste Ueberfeder mit einer Kennzeichnung "-" versehen WITH DOUBLE OUT DIES THE FIRST SPRING WILL BE PROVIDED WITH AN INDICATION "-"



THIS DRAWING IS A CONTROLLED DOCUMENT.

DIMENSIONS: mm	TOLERANCES UNLESS OTHERWISE SPECIFIED: ±0.2	OWN: S.Garcia 06JAN1999	CHK: R.Jetter 06JAN1999	APVD: M.Bleicher 13AUG2003	NAME: MGS
MATERIAL: -	FINISH: -	108-18030	114-18021 / -18025	00779	929453
Customer Drawing			SCALE: 10:1	SHEET: 1 of 1	REV: C22