

4

3

2

1

THIS DRAWING IS UNPUBLISHED. RELEASED FOR PUBLICATION
 © COPYRIGHT - By - ALL RIGHTS RESERVED.

REVISIONS					
P	LTR	DESCRIPTION	DATE	DWN	APVD
C1		REVISE PER ECO-16-009340	23JUN2016	RG	SH

Top view of the receptacle assembly. Dimensions include 26.80, 13.40, 0.40, 0.80, 1.60, 14.68, and 31.65. Callouts include -B-, SHELL, MATING FACE, and a datum symbol 8.

Bottom view of the receptacle assembly. Dimensions include 42.70, 37.70, 28.30±0.05, 6.00, 3.50, 3.30, 2.08, 6.84, and 2X M2 X 0.4-4H. Callouts include 2X BRACKET, 68X CONTACT, 2X BRACKET, and a datum symbol 6.

1 HOUSING & PIN SPACER: THERMOPLASTIC, BLACK, UL 94V-0 RATED. SHELL: CARBON STEEL. CONTACTS: PHOSPHOR BRONZE. BRACKETS: STEEL.

2 SHELL: 5.08μm MIN NICKEL OVER 2.54μm MIN COPPER. CONTACTS: 0.76μm MIN GOLD ON MATING END, 3.75μm MIN TIN ON SOLDER TAILS, BOTH OVER 1.27μm MIN NICKEL ON ENTIRE CONTACT. BRACKETS: TIN PLATED.

3 CONTACTS DESIGNED FOR USE ON 1.60±0.15 THICK PC BOARD WITH PLATED THRU MOUNTING HOLES.

4 RECEPTACLE ASSEMBLY DESIGNED FOR USE WITH 1.12±0.08 THICK PANEL.

5 DATUMS AND DIMENSIONS ESTABLISHED BY CUSTOMER.

6 POSITION TOLERANCE APPLIES AT CONTACT TIP ONLY.

7 CONTACTS DESIGNED FOR USE ON 2.35±0.15 THICK PC BOARD WITH PLATED THRU MOUNTING HOLES.

8 DATE CODE MARKED IN APPROXIMATE AREA SHOWN.

9 CONTACTS DESIGNED FOR USE ON 4.34±0.15 THICK PC BOARD WITH PLATED THRU MOUNTING HOLES.

Cross-sectional view of the receptacle assembly. Dimensions include 0.389, 3.46, 5.20, 0.20, 5.33, 1.15, 1.20, and 1.15. Callouts include HOUSING, PIN SPACER, 68X 0.152 K, 68X INDIVIDUALLY, (1.35), 34X INDIVIDUALLY, SEE DETAIL Z, and a datum symbol K.

SOFT TRAY	9	5.59	5796055-4
HARD TRAY	7	3.55	5796055-3
SOFT TRAY	7	3.55	5796055-2
SOFT TRAY	3	2.27	5796055-1
TRAY	REMARKS	F	PART NUMBER

DIMENSIONS:		TOLERANCES UNLESS OTHERWISE SPECIFIED:		THIS DRAWING IS A CONTROLLED DOCUMENT.		DWN		31JAN05	
mm		0 PLC	± -	J.GERACE	31JAN05	TE Connectivity RECEPTACLE ASSEMBLY, RIGHT ANGLE, 68 POS, SHIELDED, CHAMP 0.8mm			
		1 PLC	± -	CHK	31JAN05				
		2 PLC	± 0.13	S.SHUEY	31JAN05				
		3 PLC	± -	APVD	31JAN05				
		4 PLC	± -	M.WALMSLEY	31JAN05	NAME			
		ANGLES	± -	PRODUCT SPEC		108-1471			
		FINISH	± -	APPLICATION SPEC		114-6057			
MATERIAL				WEIGHT	0	SIZE	A2	CAGE CODE	00779
				CUSTOMER DRAWING		DRAWING NO	C=5796055	RESTRICTED TO	-
						SCALE	5:1	SHEET	1 of 2
						REV	C1		

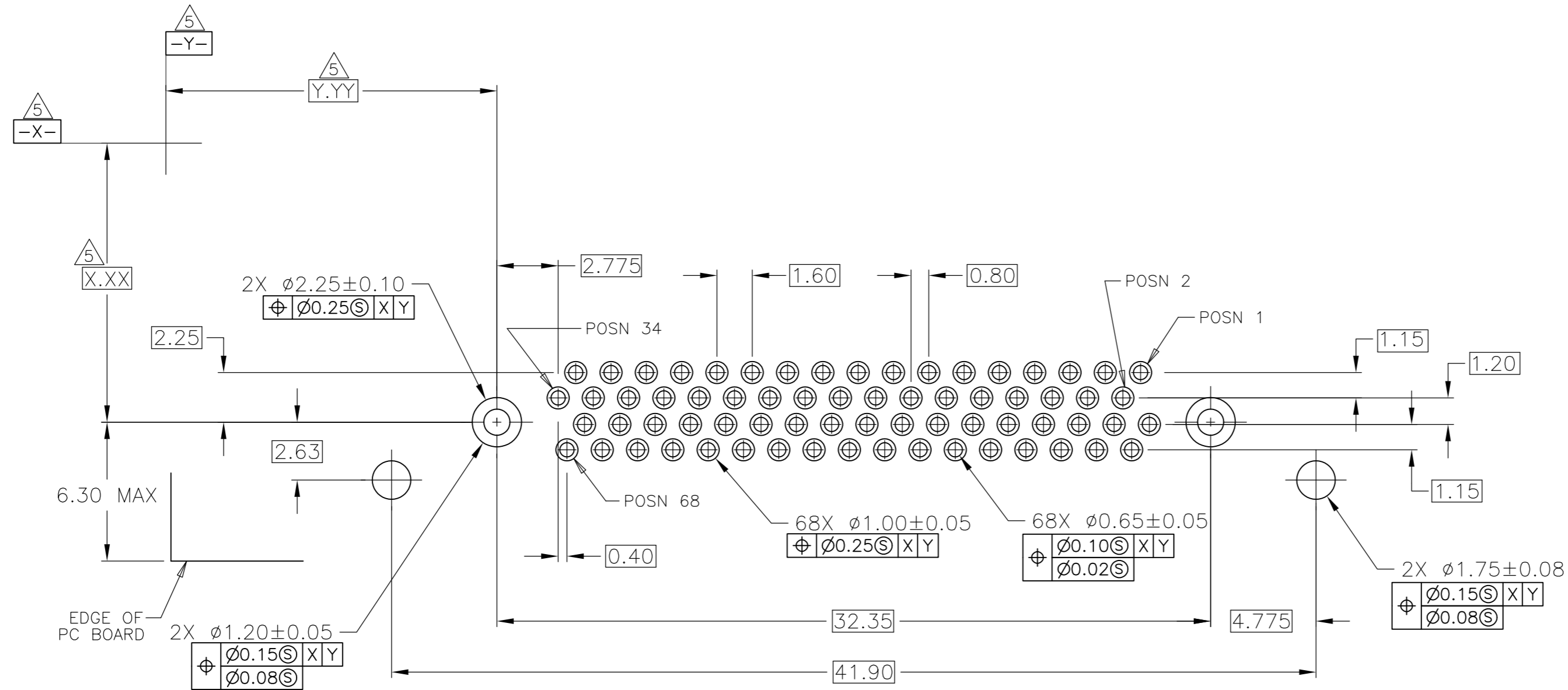
1471-9 (1/15)

5796055

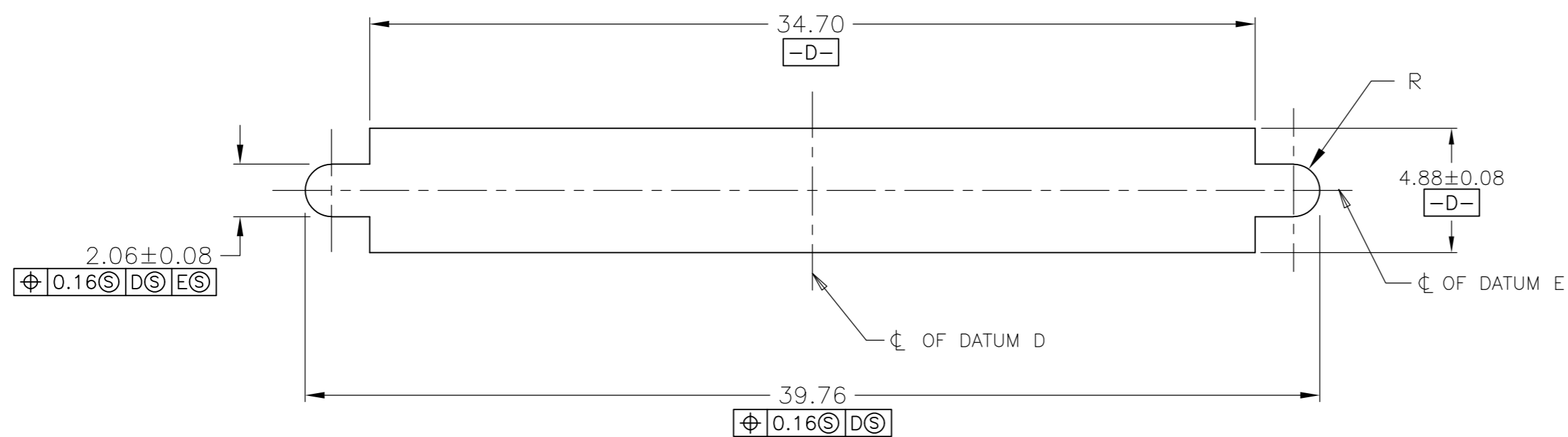
A

THIS DRAWING IS UNPUBLISHED. RELEASED FOR PUBLICATION
 © COPYRIGHT - By - ALL RIGHTS RESERVED.

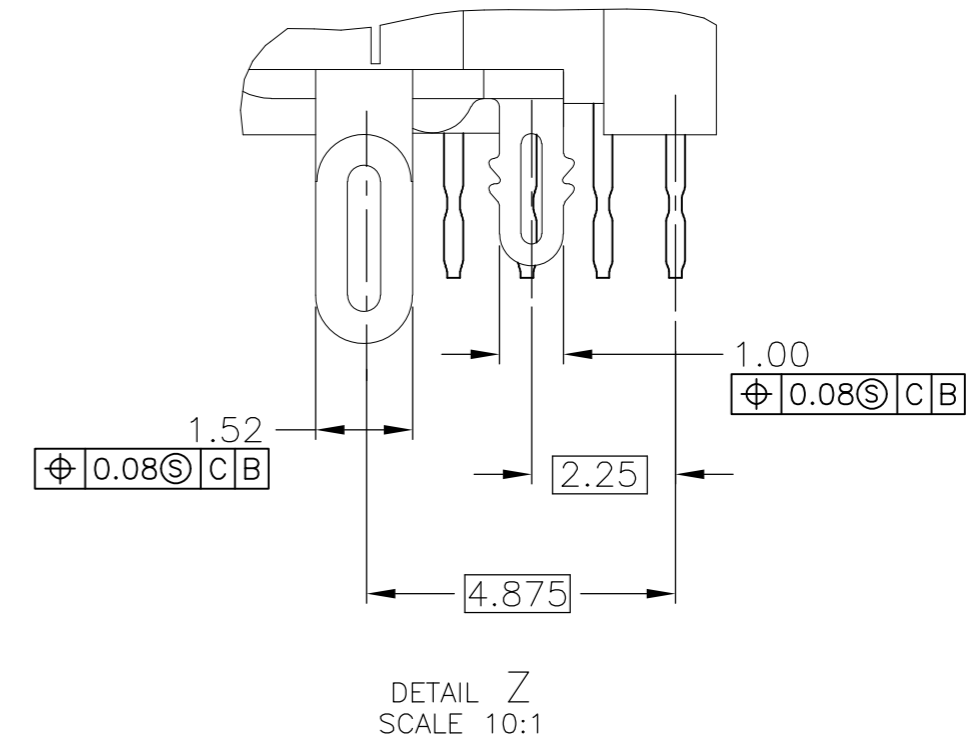
REVISIONS				
P	LTR	DESCRIPTION	DATE	APVD
-	-	SEE SHEET 1	-	-



PC BOARD MOUNTING DIMENSIONS



PANEL CUT-OUT DIMENSIONS



THIS DRAWING IS A CONTROLLED DOCUMENT.		DWN J.GERACE 31JAN05	TE Connectivity	
DIMENSIONS: mm		CHK S.SHUEY 31JAN05		
TOLERANCES UNLESS OTHERWISE SPECIFIED:		APVD M.WALMSLEY 31JAN05	NAME	
0 PLC \pm -		PRODUCT SPEC 108-1471	RECEPTACLE ASSEMBLY, RIGHT ANGLE, 68 POS, SHIELDED, CHAMP 0.8mm	
1 PLC \pm -		APPLICATION SPEC 114-6057	SIZE A2	CAGE CODE 00779
2 PLC ± 0.13		WEIGHT 0	DRAWING NO C=5796055	RESTRICTED TO -
3 PLC \pm -		CUSTOMER DRAWING	SCALE 5:1	SHEET 2 OF 2
4 PLC \pm -		FINISH	REV C1	
ANGLES \pm -				