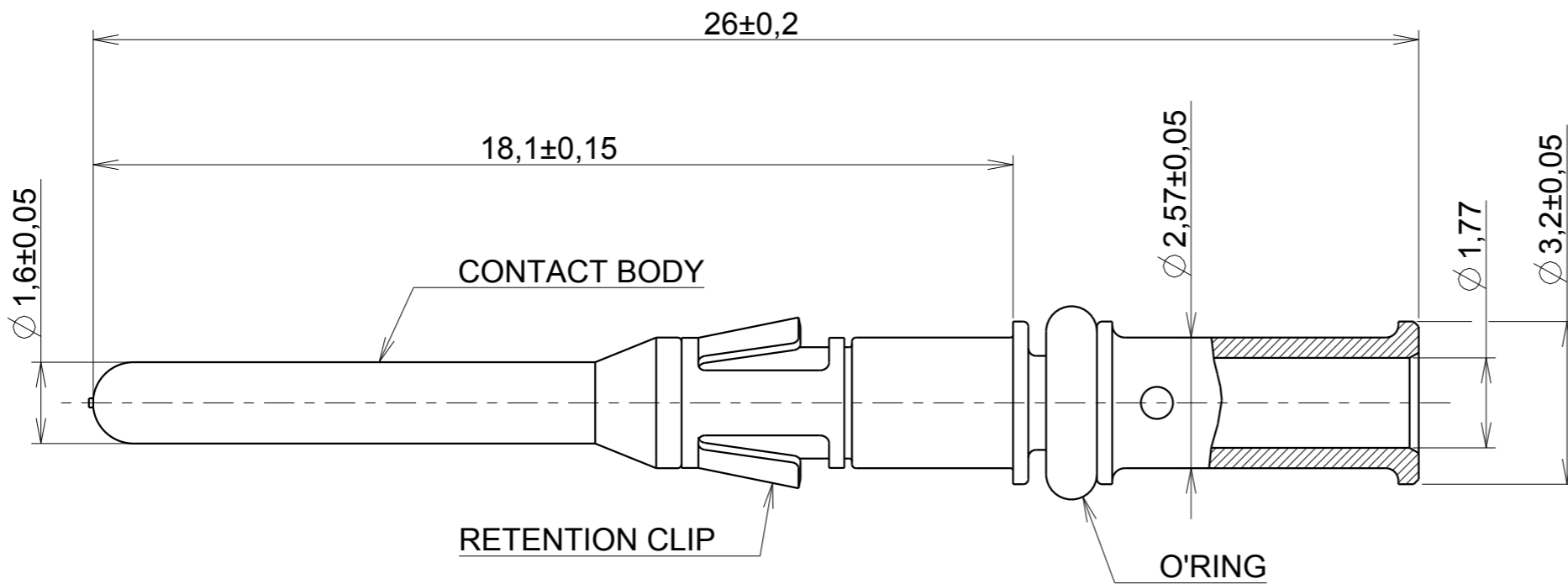


d:RL



TECHNICAL CHARACTERISTICS :

MATERIAL :

- Contact body : COPPER ALLOY
- Retention clip : BERYLLIUM COPPER
- O'ring : See table

PLATING :

- Contact body : Ni 2μ mini + Gold plating
- Retention clip : Unplated

PERFORMANCE CHARACTERISTICS

- Current rating : 16A maxi
- Contact resistance : $\leq 3\text{mOhm}$
- Contact retention in insert : 110N maxi

TOOLS :

- Hand tool : SHANDLES
- Die set : S16RCM1625

Wire size : AWG 20-16

0,5 / 1,50 mm²

Wire strip length = 5,5mm

- Extraction tool : RX2025GE1

CUSTOMER DRAWING

PART NUMBER	O'RING CHARACTERISTICS	
	MATERIAL	COLOR
RM16M25K	NBR 70 shores	BLACK
RM16M26K	VMQ 70 shores	RED

d	21/03/13	Update of draw : Diameter 3,08 becomes 3,20		22832A
ISS	DATE	Latest modification - by: MOREAU F.		MOD N°
Designed by: MOREAU F.		Date: 16/03/12	CUSTOMER DRAWING	
TITLE		SEALED MALE CRIMP CONTACT		
Scale	8/1	General linear Tolerances: ± 0.1	NPRDS / PROJECT IC101009A	
SOURIAU		WWW.SOURIAU.COM		This document is the property of SOURIAU It must not be reproduced or communicated without permission
FORMAT	A3	SOURIAU DRG N° RM16MXXX-C01		SHEET 1 / 1