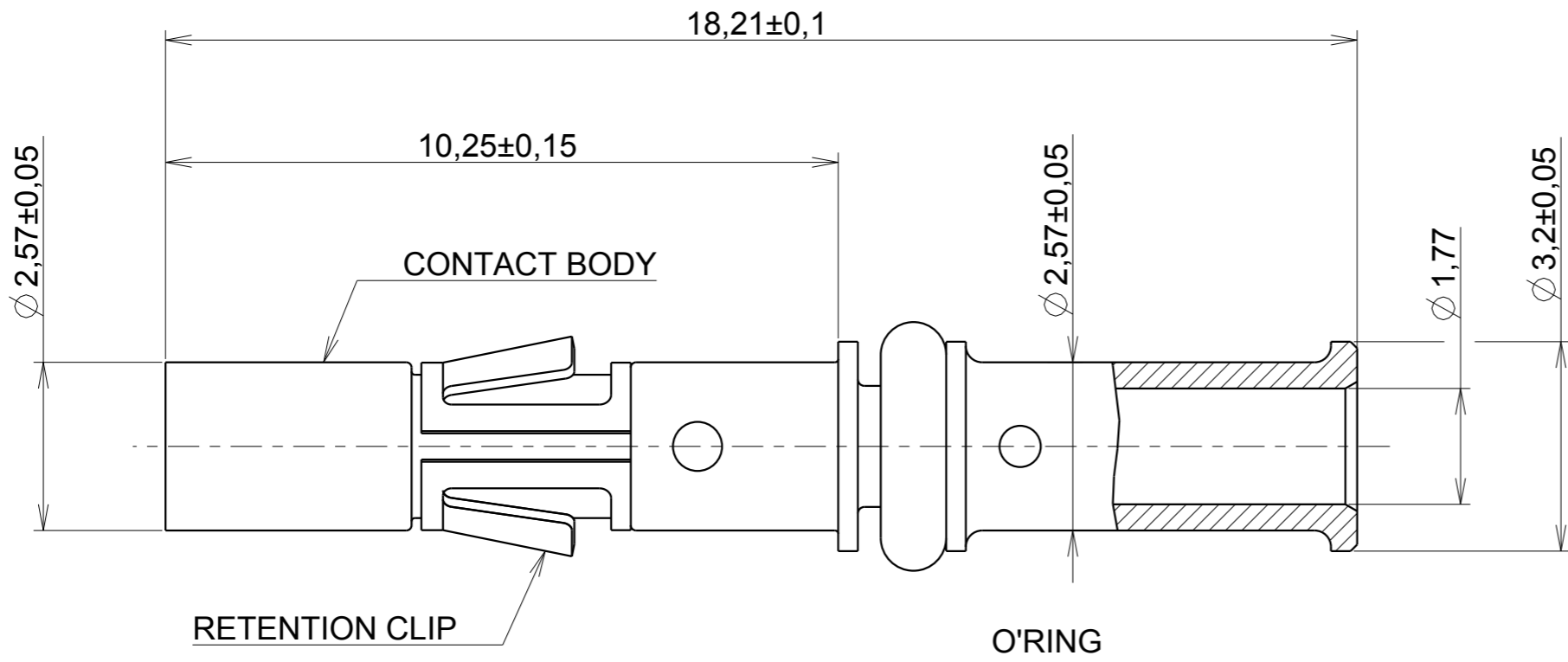


d:0:p
R:0:RL



TECHNICAL CHARACTERISTICS :

MATERIAL :

- Contact body : COPPER ALLOY
- Retention clip : BERYLLIUM COPPER
- Contact inner spring : BERYLLIUM COPPER
- O'ring : See table

PLATING :

- Contact body : Ni 2µ mini + Gold flash all over
- Contact inner spring : Ni 2µ mini + Gold 0,4µ mini
- Retention clip : Unplated

PERFORMANCE CHARACTERISTICS

- Current rating : 16A maxi
- Contact resistance : ≤ 3mOhm
- Contact retention in insert : 110N maxi
- Individual insertion force : 4,5 N maxi
- Individual withdrawal force : 0,55 N mini

TOOLS :

- Hand tool : SHANDLES
- Die set : S16RCM1625
- Wire size : AWG 20-16
0,5 / 1,50 mm²
- Wire strip lenght = 5,5mm
- Extraction tool : RX2025GE1

CUSTOMER DRAWING

PART NUMBER	O'RING CHARACTERISTICS	
	MATERIAL	COLOR
RC16M25K	NBR 70 shores	BLACK
RC16M26K	VMQ 70 shores	RED

d	20/03/14	Update of draw : 18.21 +/-0.05 becomes 18.21 +/-0.10		
ISS	DATE	Latest modification - by: MOREAU F.		MOD N°
Designed by: MOREAU F.		Date: 16/03/12	CUSTOMER DRAWING	
TITLE		SEALED FEMALE CRIMP CONTACT		
Scale	8/1	General linear Tolerances: ± 0.1	NPRDS / PROJECT IC101009A	
SOURIAU		WWW.SOURIAU.COM		This document is the property of SOURIAU It must not be reproduced or communicated without permission
FORMAT	A3	SOURIAU DRG N° RC16MXXX-C01		SHEET 1 / 1