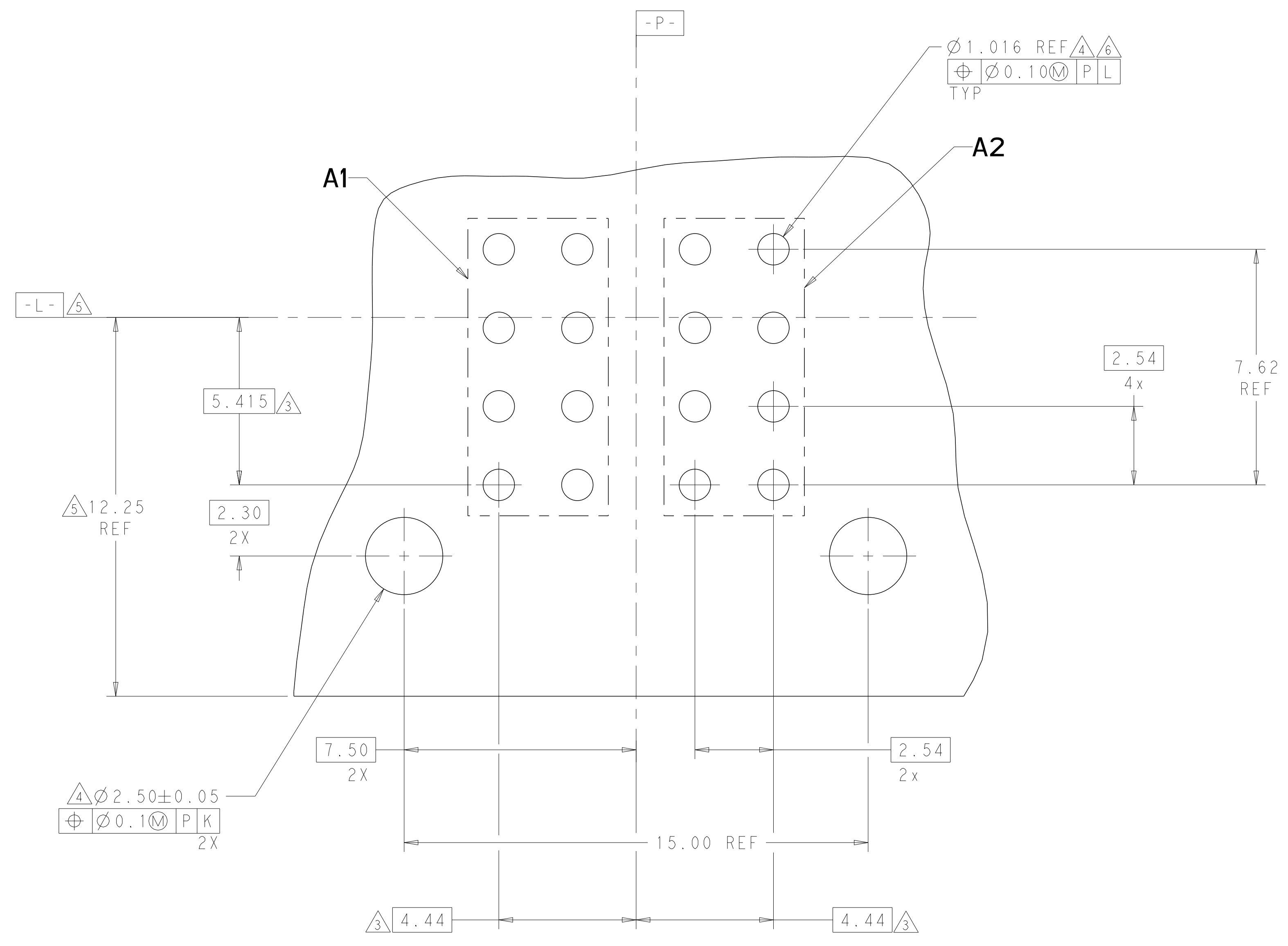
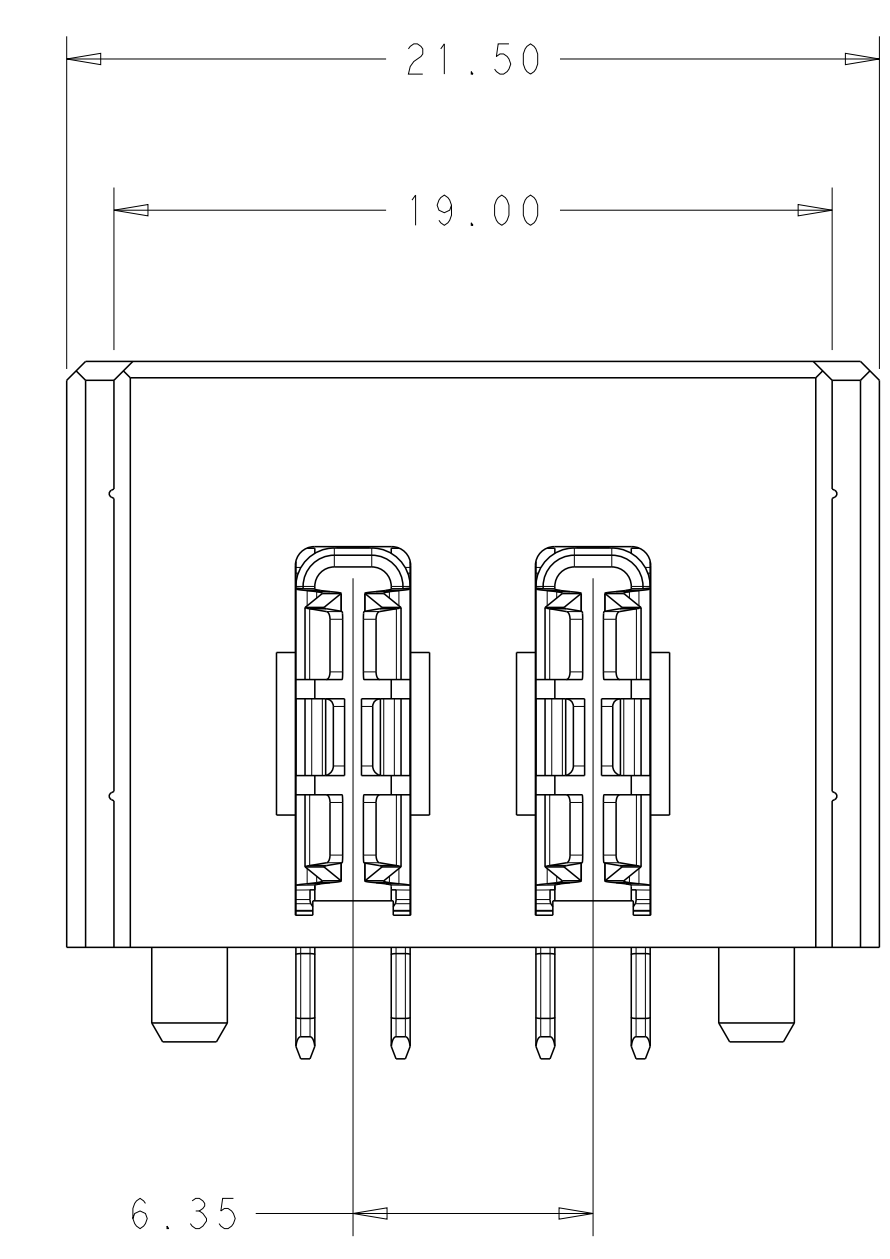
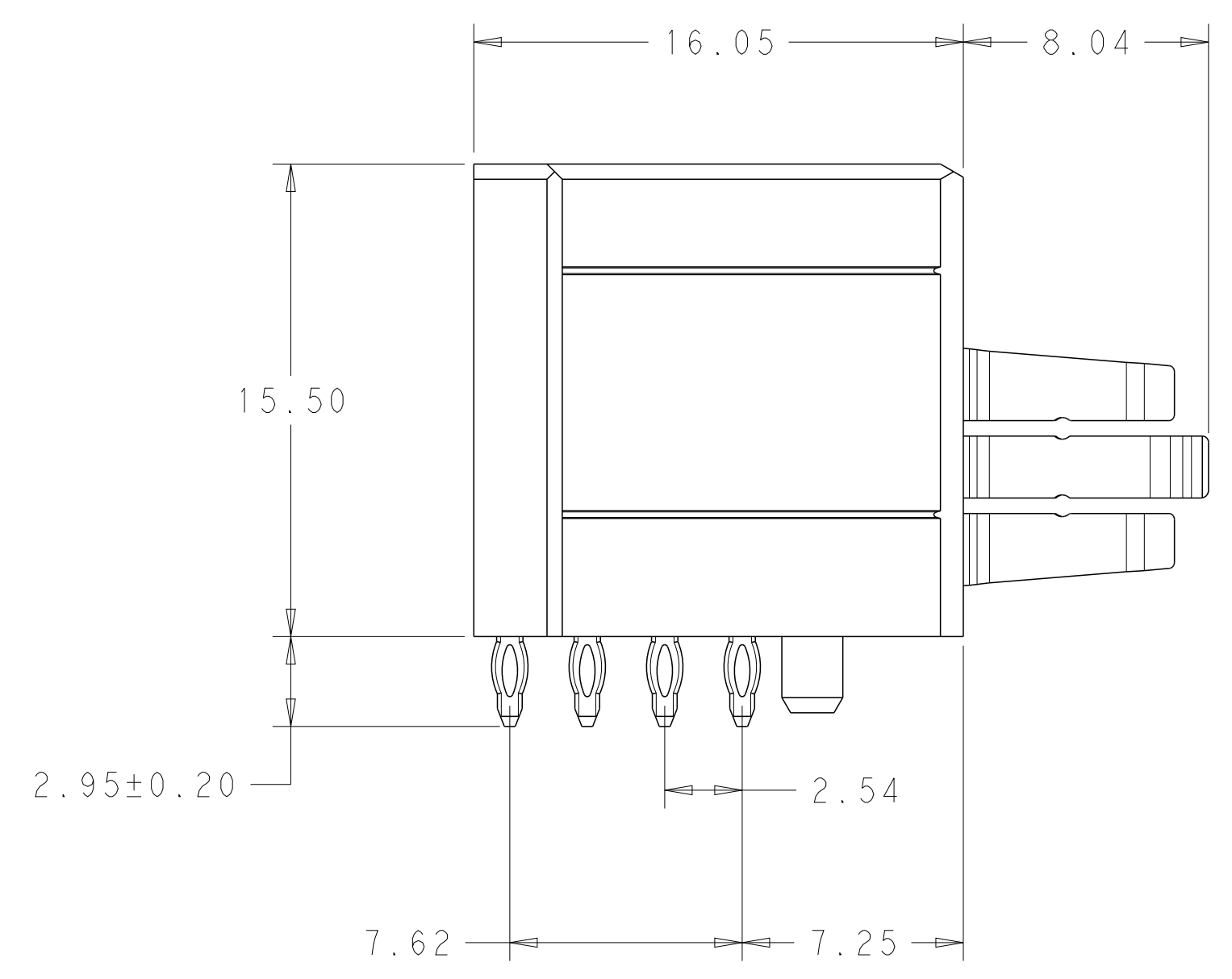


LOC	DIST	REVISIONS					
		P	LTH	DESCRIPTION	DATE	DWN	APVD
		C		REV PER ECO 14-018159	12-15-14	CT	DH
		D		REVISED PER ECO-16-002176	30MAR2016	RS	CT



RECOMMENDED PC BOARD LAYOUT  
 COMPONENT SIDE SHOWN  
 SCALE 10:1



- 1 MATERIAL:  
 CONTACT - COPPER ALLOY  
 HOUSING - LCP, COLOR - BLACK
- 2 FINISH:  
 MATING AREA: 0.76µm GOLD OVER  
 1.27µm NICKEL  
 COMPLIANT PIN AREA: 2.54µm MATTE TIN OVER  
 1.27µm NICKEL
- 3 DIMENSION APPLIES TO CENTERLINE OF THRU HOLE.
- 4 PCB - ALL HOLE DIAMETERS ARE FINISHED HOLE SIZES.
- 5 SEE PRINT 2102427-1 FOR DIMENSIONS
- 6 REFERENCE APPLICATION SPEC 114-13251 FOR RECOMMENDED PLATED THRU HOLE DIAMETER AND PLATING THICKNESS.

△	2102440-1
FINISH	PART NUMBER

THIS DRAWING IS A CONTROLLED DOCUMENT.		DWN D. BELACK	10MAR2011	TE Connectivity	
DIMENSIONS: mm		CHK K. THACKSTON		NAME HIGH POWER, METAL SHELL LRU, RIGHT ANGLE HEADER, MODULE	
TOLERANCES UNLESS OTHERWISE SPECIFIED:		APVD M. McALONIS		PRODUCT SPEC 108-2474	
0 PLC ±0.13				APPLICATION SPEC 114-13251	
1 PLC ±0.10				SIZE A1	
2 PLC ±0.08				CAGE CODE 2102440	
3 PLC ±0.05				DRAWING NO 2102440	
4 PLC ±0.03				RESTRICTED TO	
ANGLES ±2°				WEIGHT ~ 7.88g	
FINISH SEE TABLE				CUSTOMER DRAWING	
				SCALE 5:1 SHEET 1 OF 1 REV D	