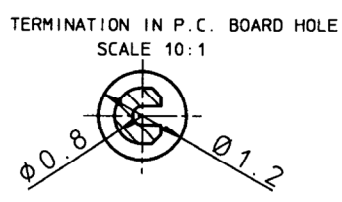
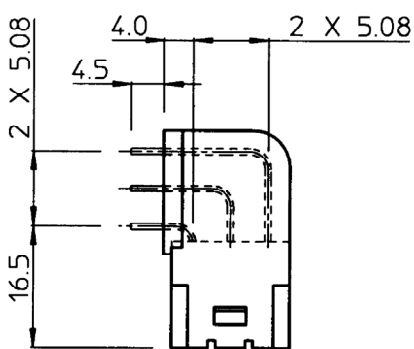
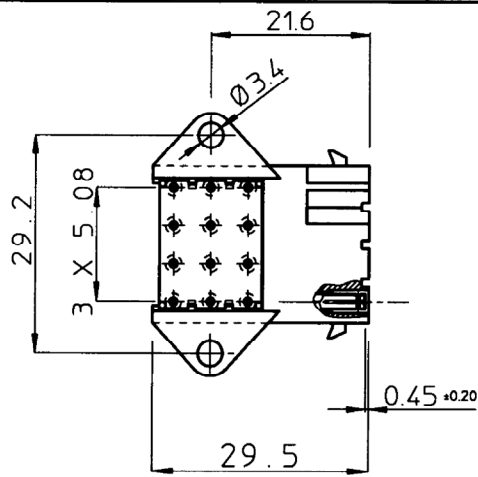
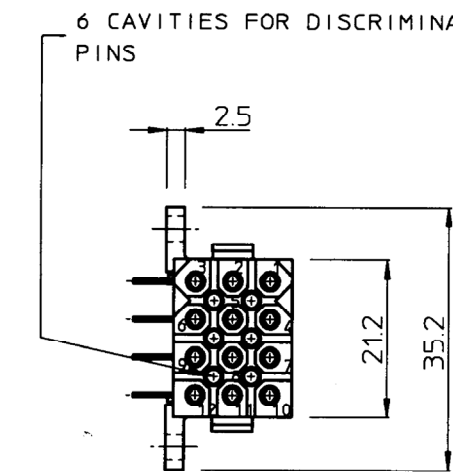


DIT IS ONZE EIGENDOM EN MAG NIET WERDEN, HERDRUKT, OVERGEGEEN AAN DEREN, NOCH WERDEN VERBODEN OF ANDERZIJN TOEGESTEMD ZONDER ONZE SCHRIFTELIJKE TOELAATING. BIJ NIET GEBRUIK IS DE TERUGGANG VERPLICHT.

THIS IS OUR EXCLUSIVE PROPERTY. IT IS NOT TO BE COPIED, REPRINTED OR DISCLOSED TO A THIRD PARTY, NOR USED FOR MANUFACTURING WITHOUT OUR WRITTEN CONSENT, AND HAS TO BE RETURNED TO US IN CASE OF NO USAGE

REV.	DATE	DESCRIPTION	BY	C'K'D'



MATERIAL :
HOUSING : GLASS FILLED POLYESTER UL94-V0, BLACK
CONTACTS : STAMPED AND FORMED HIGH CONDUCTIVE COPPER ALLOY
PLATING ():** K9 : GOLD IN CONTACT AREA 0.4 μ MIN., TIN/LEAD ON TERMINATION
T : TIN ALL OVER.

PERFORMANCE CHARACTERISTICS :
OPERATING TEMPERATURE : -55°C TO 125°C
INSULATING RESISTANCE : 5000 MΩ MIN.
TEST POTENTIAL : 2000 VAC
CURRENT RATING : 5 AMP
CONTACT RESISTANCE : 6 mΩ MAX.

NOTES :
 CONNECTOR SUPPLIED FULLY LOADED.
MATING PARTS : SMS--P1 (WITHOUT CABLE HOOD AND WITHOUT DISCRIMINATION CAVITIES)
 SMS--PDH1 (WITH INTEGRATED CABLE HOOD AND DISCRIMINATION CAVITIES)
 DISCRIMINATION WITH PINS (SMSPKE3 PER BS,C .201424,003)
 IS GUARANTEED WITHOUT LOSS OF CONTACT POSITIONS.
 DRILLING HOLE PATTERN : SEE DRAWING BS.C .201713,000

BS,A , 201927 , 011 , 0A

GEN. ST.	01	02	03	04	05	06	07	08	0D	50	60	70	80	90																	
INT. ST.	10	11	12	13	14	18	20	31	32	33	34	38	39	40	42	43	44	45	46	48	56	70	72	73	75	76	81	82	83	84	88

1DEC ±0.2 1DEC 2DEC ±0.1 2DEC ANGLES ±1° HOEKEN	APPR.	DATE	SIGN.	STAMPED FEMALE QIKMATE RIGHT ANGLE RECEPTACLE CAT. No. SMS12SE5*
	DRAFT	21-12-95	S. Van Dessel	
WE RESERVE THE RIGHT TO CHANGE DIMENSIONS OR REQUIREMENTS WITHOUT PRIOR NOTICE.	PROD. MGR.			SOURIAU Route Nationale 23 72470 CHAMPAGNE
	PR. ENG. MGR.			
	PR. MGT. MGR.			
ALL DIMENSIONS IN MM 	REFERENCES / REFERENTIES			SCALE 1:1
ALLE AFMETINGEN IN MM				BS,A , 201927 , 011 , 0A DRAWING NR. CUSTOMER DRAWING