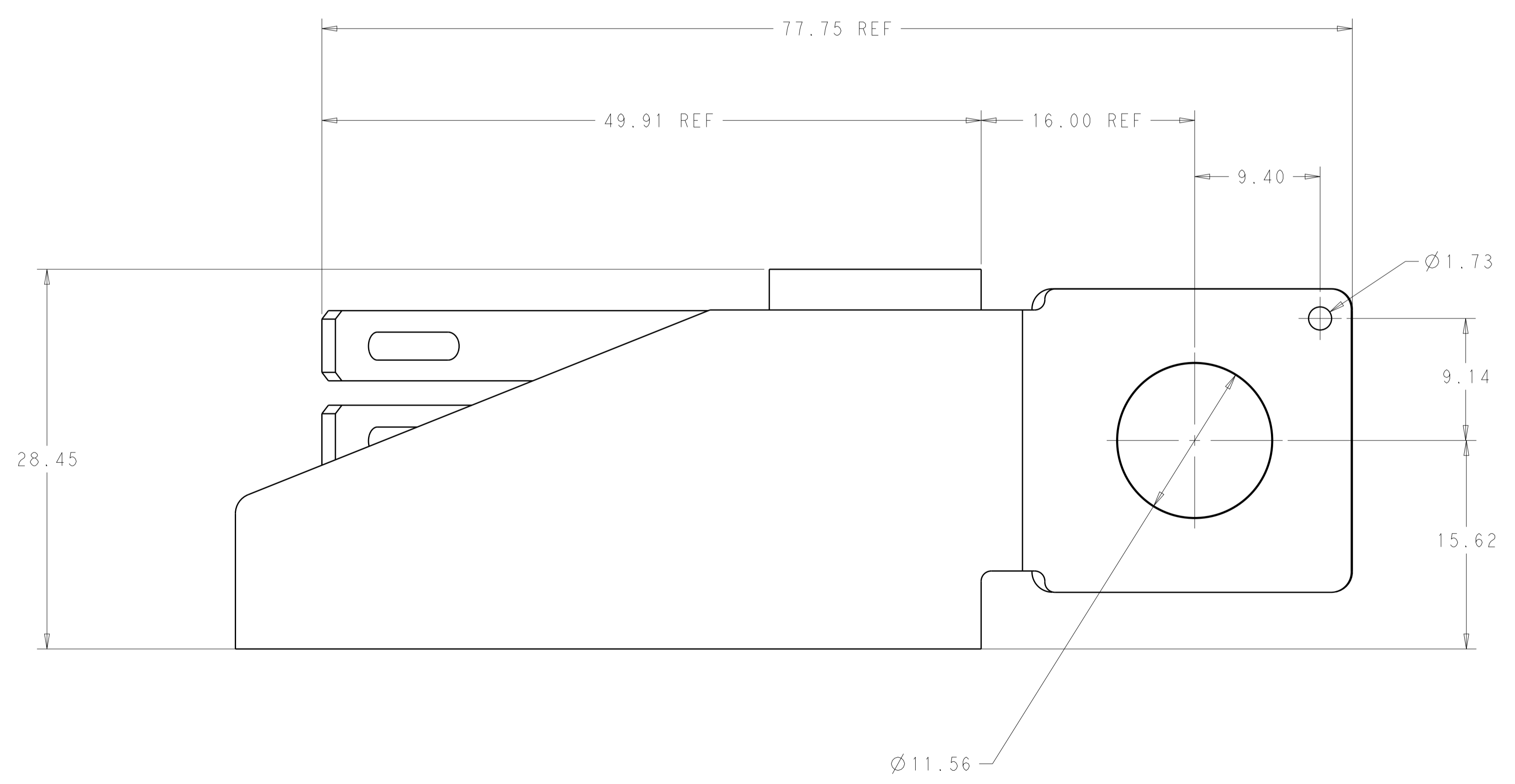
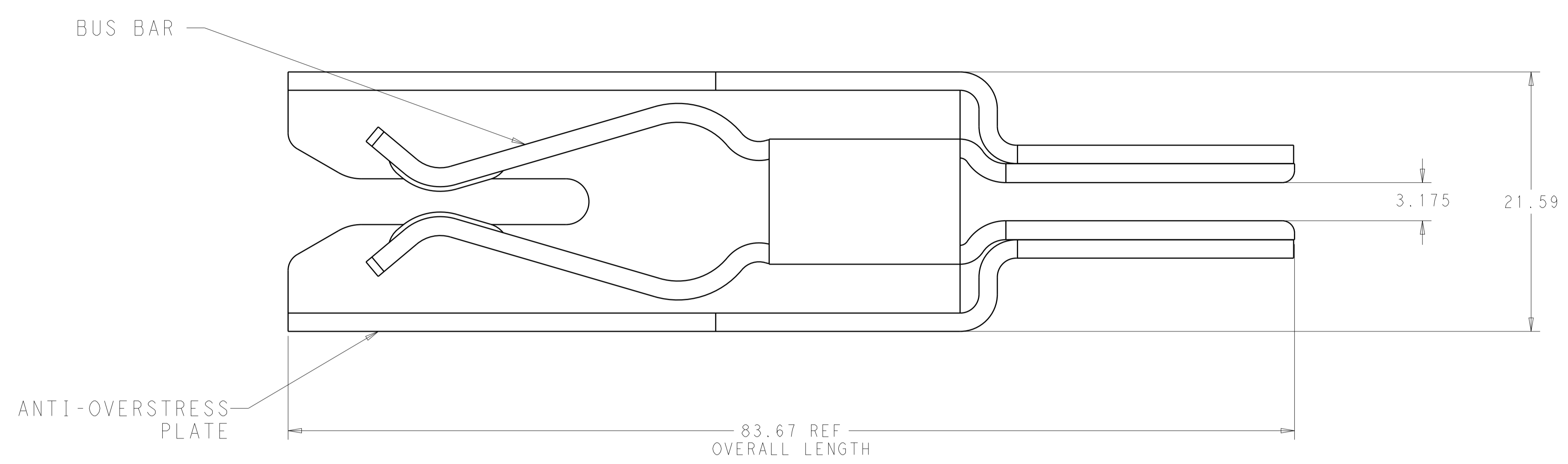


REVISIONS					
P.	LTN	DESCRIPTION	DATE	DMN	APVD
E		REVISION PER B6648	1992/04	MX	MX
E1		RELEASED IN NEW FORMAT	01MAY2016	ML	SZ

- ALL DIMENSIONS REFERENCE ONLY.
- MATERIAL:**
BUS PLUG - HIGH CONNECTIVITY COPPER ALLOY
- FINISH:**
SILVER PLATING OVER NICKEL PLATING ON CONTACT.
- COMPONENTS UNASSEMBLED IN A SEALED POLY BAG.
- MATED BUS BAR BOARD THICKNESS SHALL BE 3.175+/-0.05MM (.125+/-0.002 INCH)
DETAIL APPLICATION INFORMATION, PLEASE REFER TO APPLICATION SPEC 114-2111.



PLUGGABLE BUS BAR 125F2 POWER CONN	104501-1
DESCRIPTION	PART NUMBER

THIS DRAWING IS A CONTROLLED DOCUMENT.		DMN: MAC LIU 03FEB2016	STE TE Connectivity
DIMENSIONS: mm		CHK: SUNY ZHAO 03FEB2016	
TOLERANCES UNLESS OTHERWISE SPECIFIED:		APVD: SUNY ZHAO 03FEB2016	NAME: AMP PDS 125F2 BUS W/GUIDE PLUGGABLE BUS BAR POWER SERIES
0 PLC ±		PRODUCT SPEC: 108-1101	
1 PLC ±		APPLICATION SPEC: 114-2111	SIZE: A100779C=104501
2 PLC ±		RESTRICTED TO: -	
3 PLC ±.015		SCALE: 4:1	SHEET 1 OF 1
4 PLC ±		REV: E1	
ANGLES ±2°		CUSTOMER DRAWING	
FINISH: 3			