

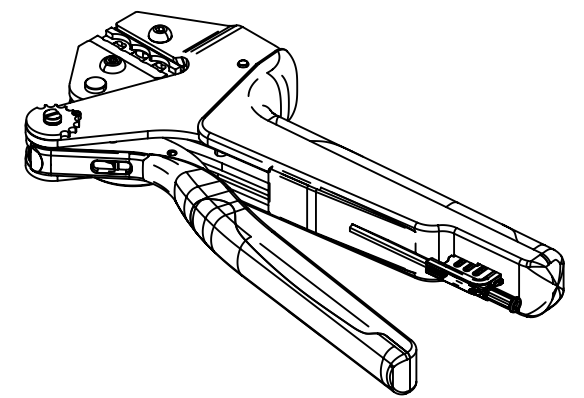
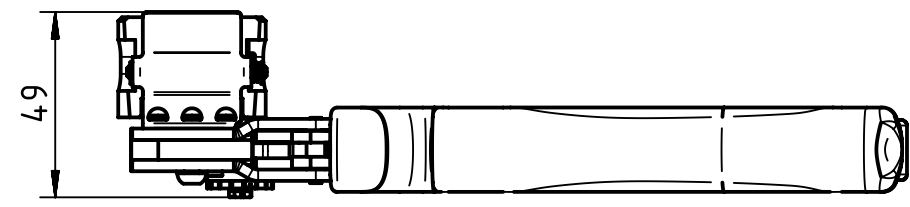
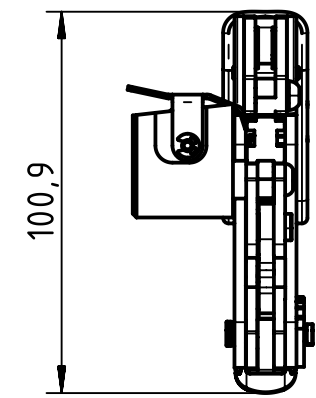
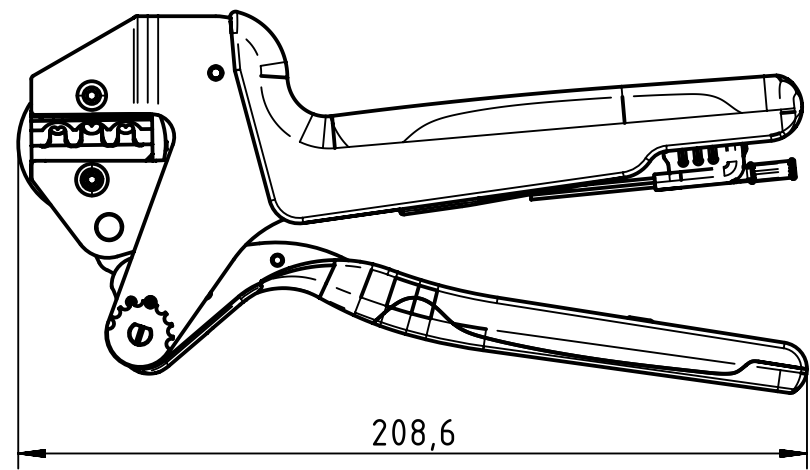
1 2 3 4 5 6

A

B



C

D



cross section range:

- Profil 1 4mm²
- Profil 2 10mm²
- Profil 3 6mm²

	 All Dimensions in mm Original Size DIN A4	Scale 1:2	Free size tol.		Ref.	
	All rights reserved Department EL PD - DE	Created by HOLLERT	Inspected by RIEPE	Standardisation TIEMANNA	Date 2016-09-15	State Final Release
HARTING Electric GmbH & Co. KG D-32339 Espelkamp		Title Crimping Tool Han Fast Lock			Doc-Key / ECM-Nr. 100515379/UGD/001/C 500000108973	
		Type TB	Number 09 99 000 0831		Rev. C	Page 1/1