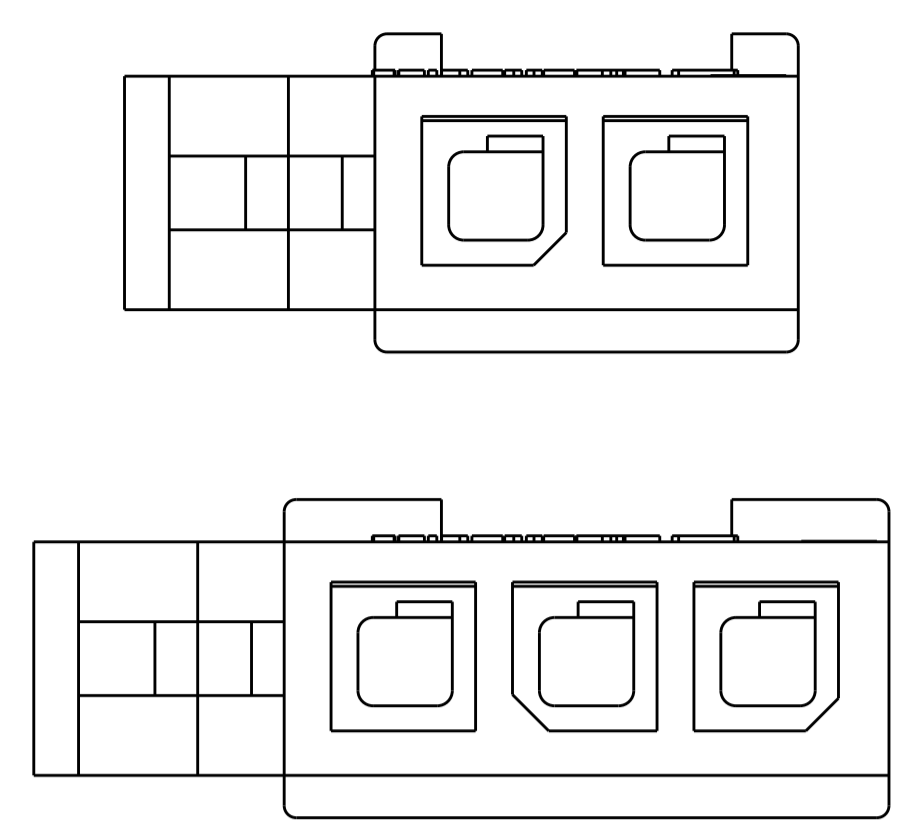
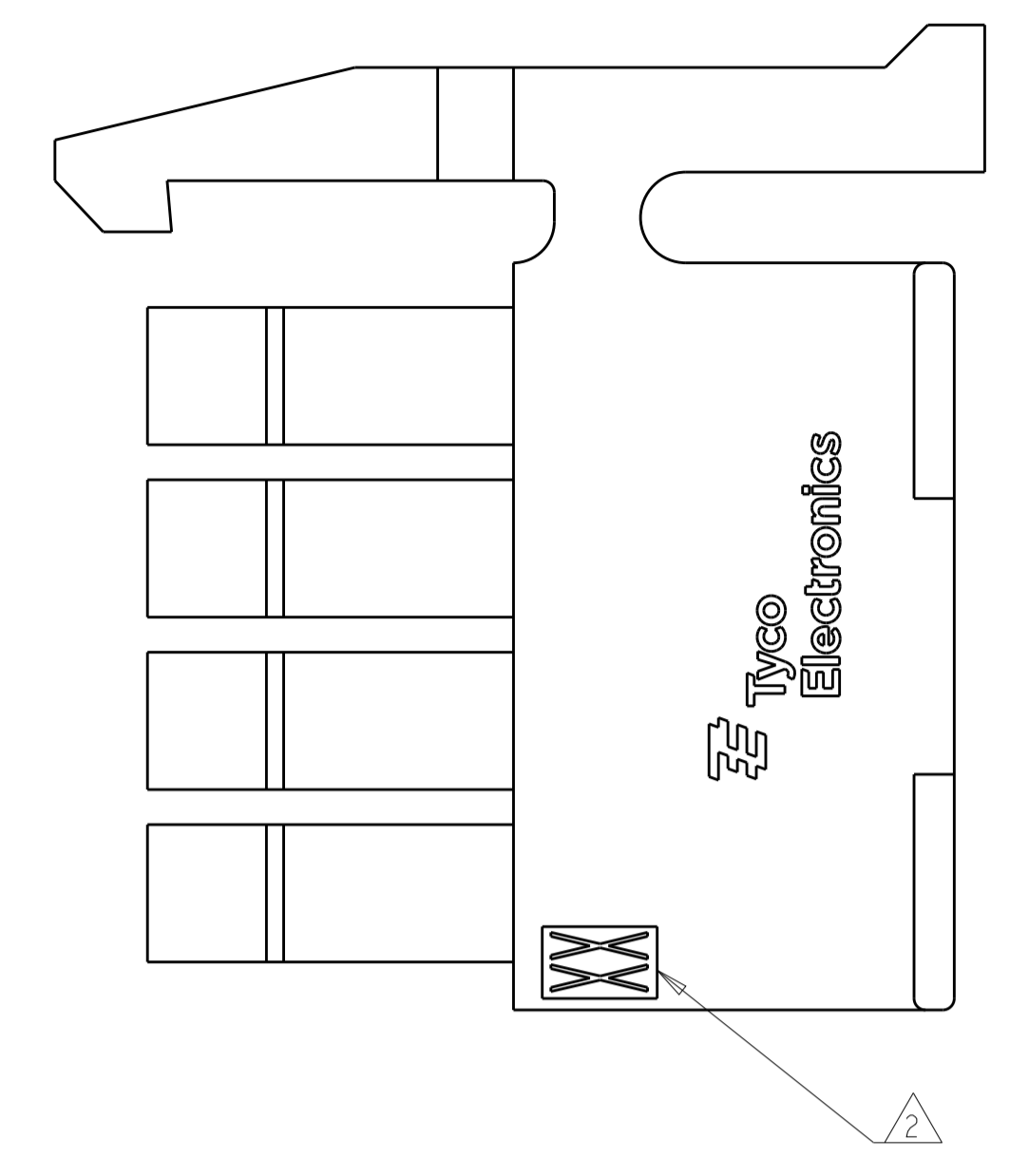


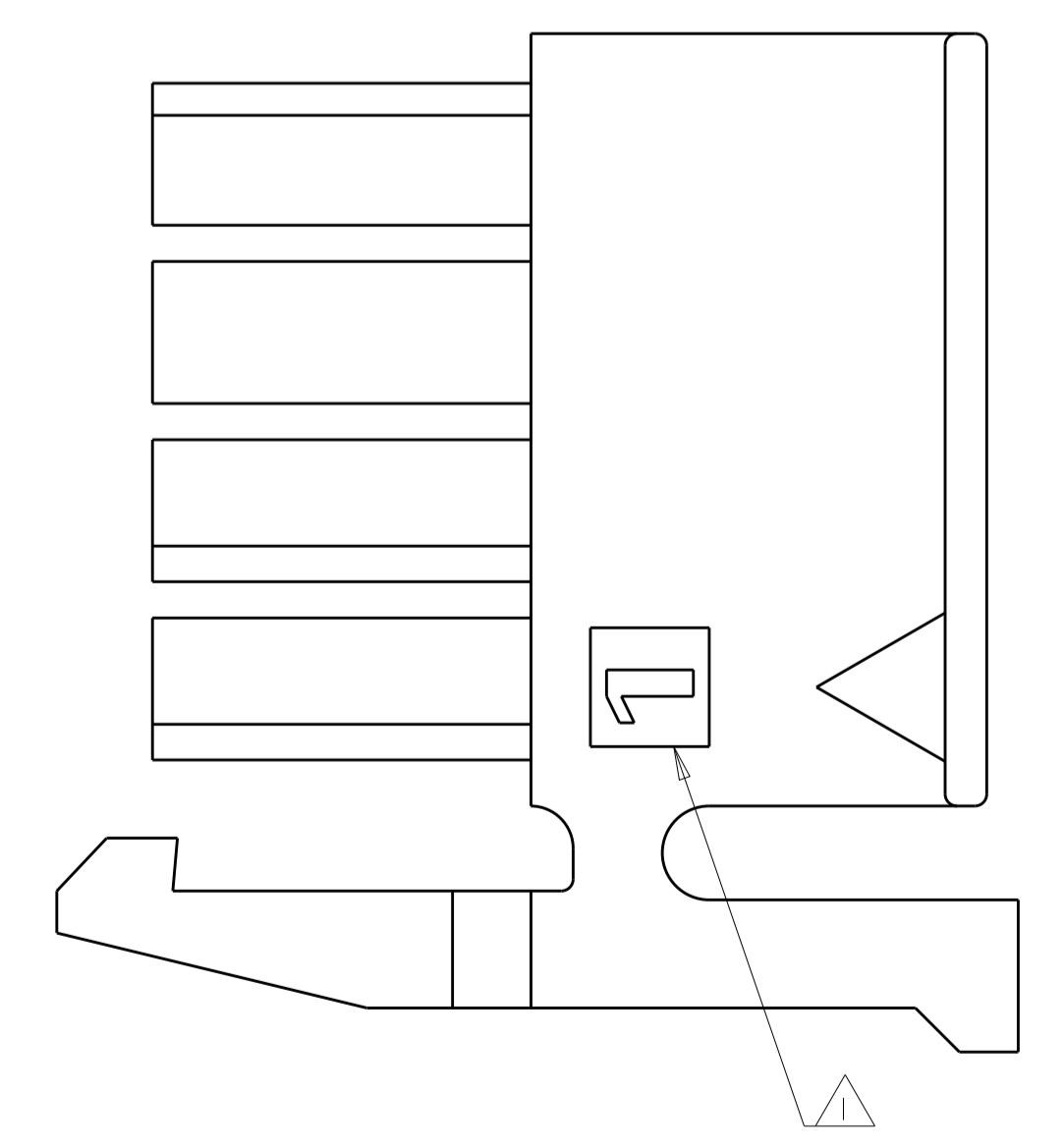
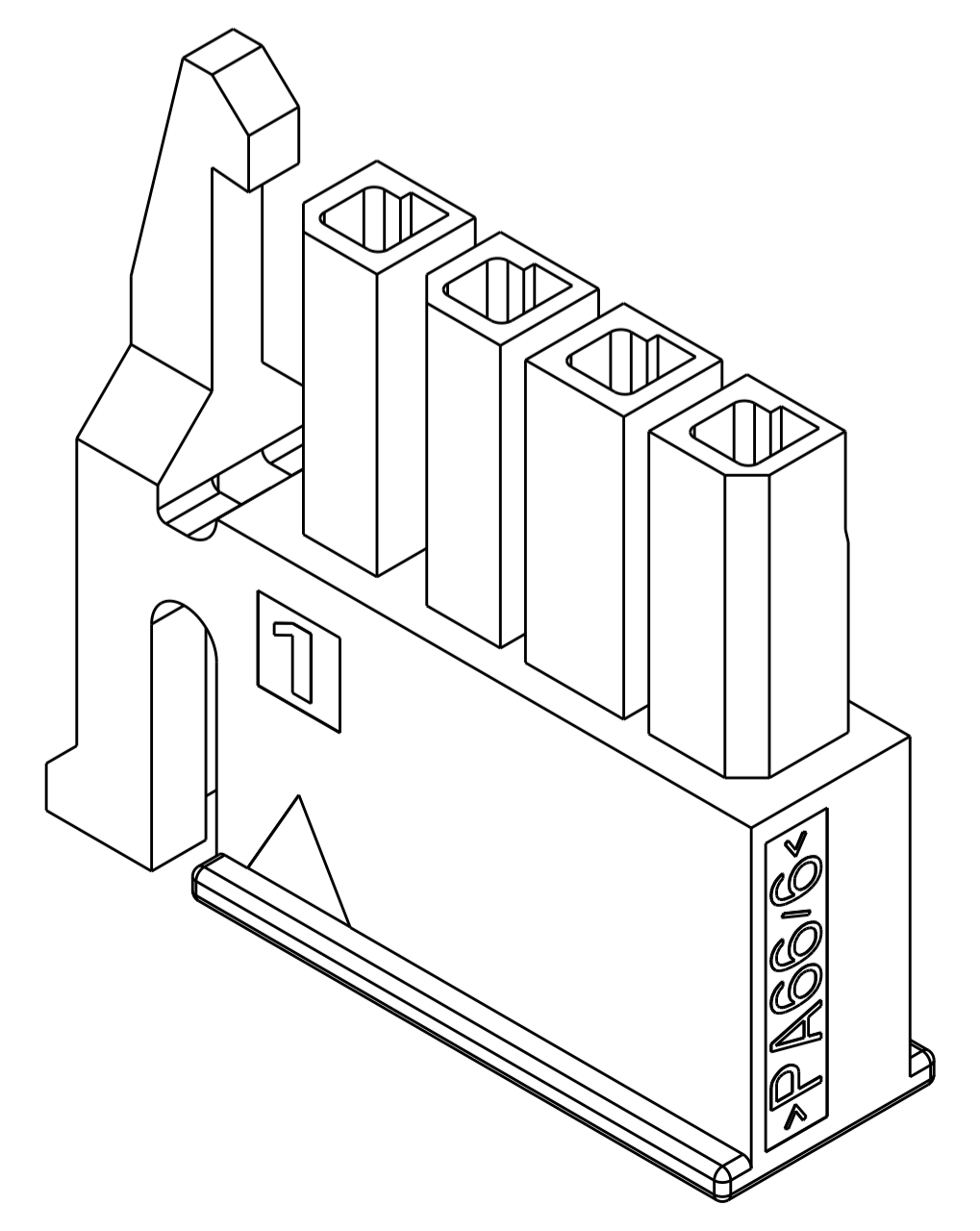
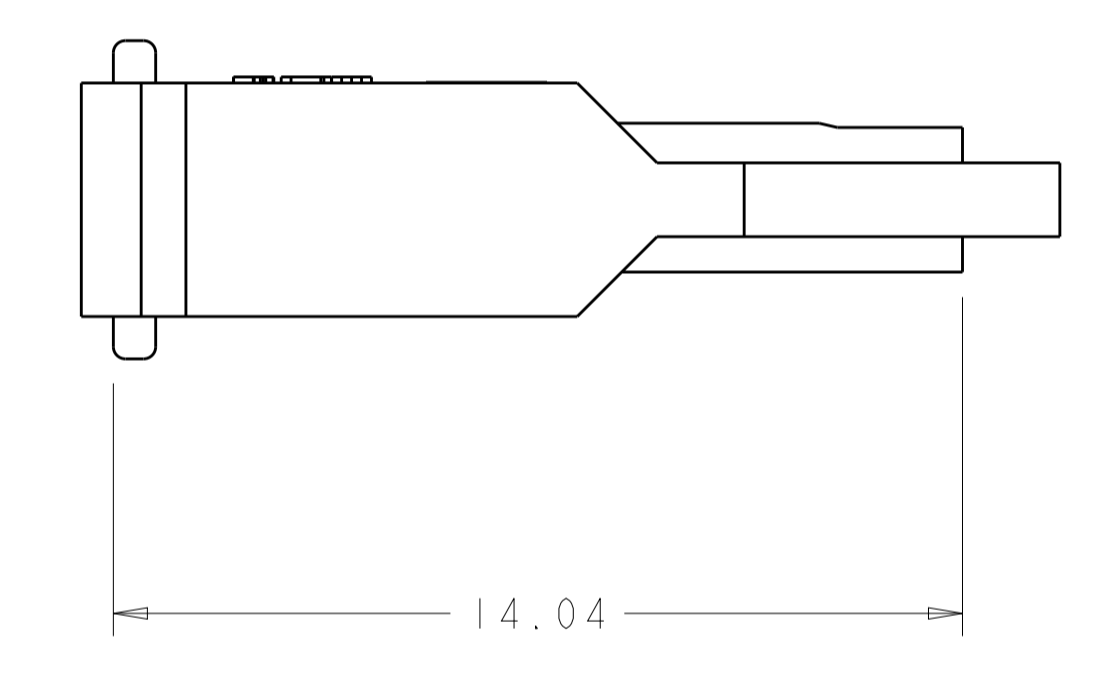
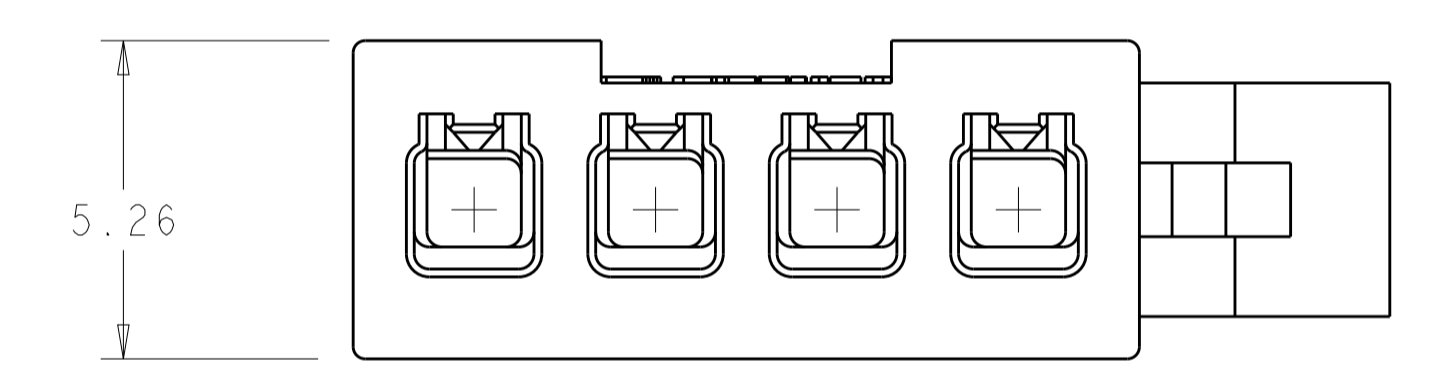
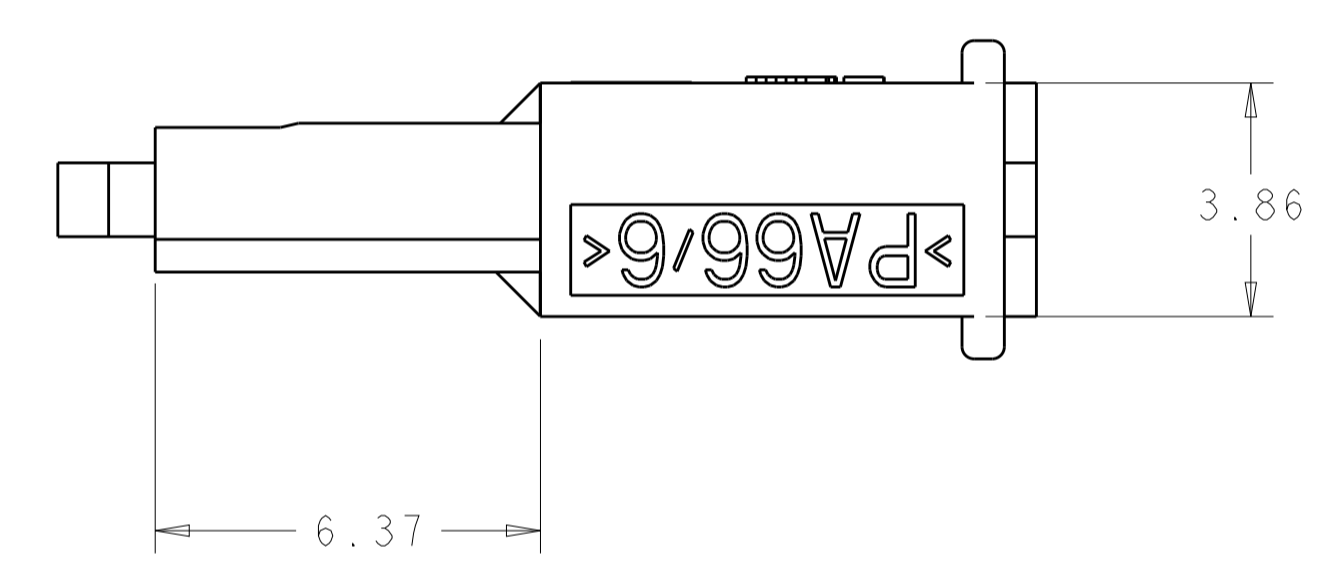
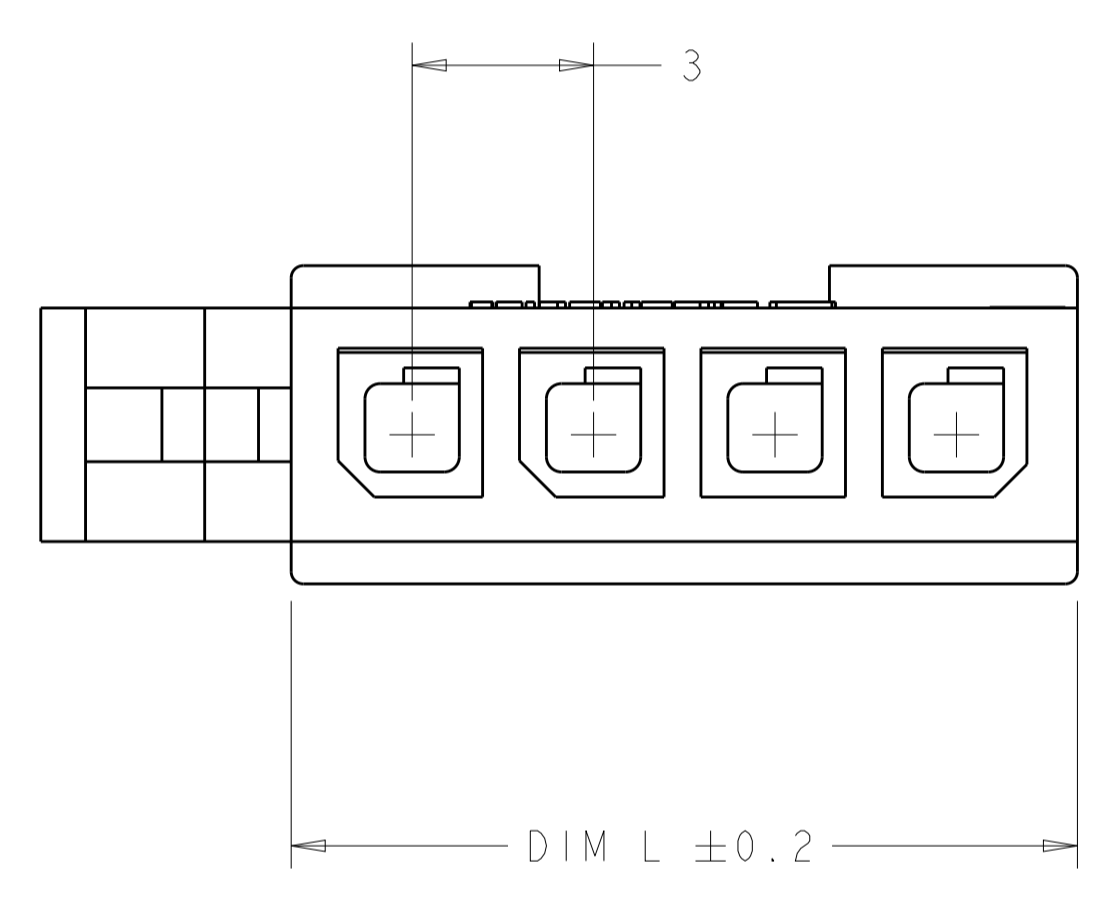
LOC	DIST	REVISIONS			
P	LTN	DESCRIPTION	DATE	DWN	APVD
A2		REVISED PER ECO-11-005027	17MAR2011	RK	HMR
B		REVISED PER ECO-17-000100	3MAR2017	CX	DZ



KEYING BY POSITION SIZE



⚠️ CIRCUIT 1 IDENTIFIER, LOCATED APPROXIMATELY AS SHOWN.
 ⚠️ LAST CIRCUIT IDENTIFIER, LOCATED APPROXIMATELY AS SHOWN.



VOLUME mm ³	DIM L	NO OF POS.	PART NO.
434.05	13	4	2029102-4
353.32	10	3	2029102-3
272.6	7	2	2029102-2

THIS DRAWING IS A CONTROLLED DOCUMENT.

DIMENSIONS:	TOLERANCES UNLESS OTHERWISE SPECIFIED:	DWN R. WHITAKER 26MAR2008	NAME
mm	0 PLC ±	CHK C. JONES 26MAR2008	RECEPTACLE HOUSING, SPECIAL, SINGLE ROW, MICRO MATE-L-LOK(TM)
	1 PLC ±0.13	APVD C. JONES 26MAR2008	SIZE CAGE CODE DRAWING NO RESTRICTED TO
	2 PLC ±		A100779C=2029102
	3 PLC ±		CUSTOMER DRAWING
	4 PLC ±		SCALE 8:1 SHEET 1 OF 1 REV B
	ANGLES ±*		
MATERIAL NYLON UL94V-0 NATURAL	FINISH	WEIGHT	