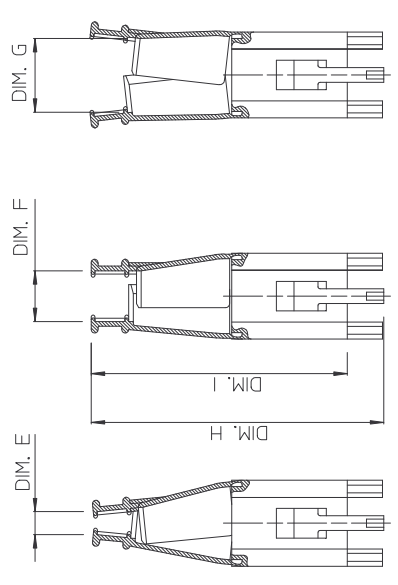
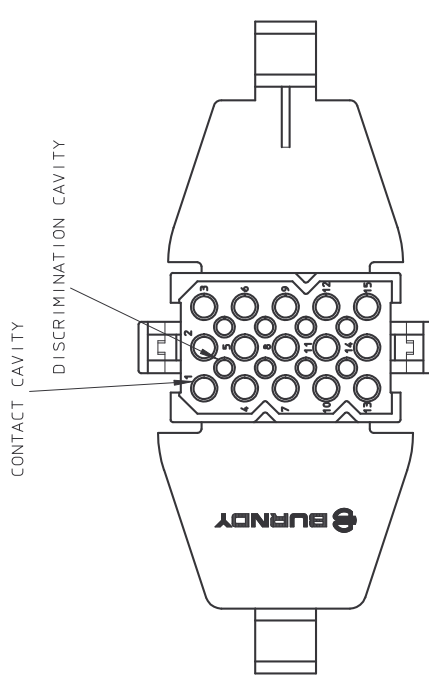
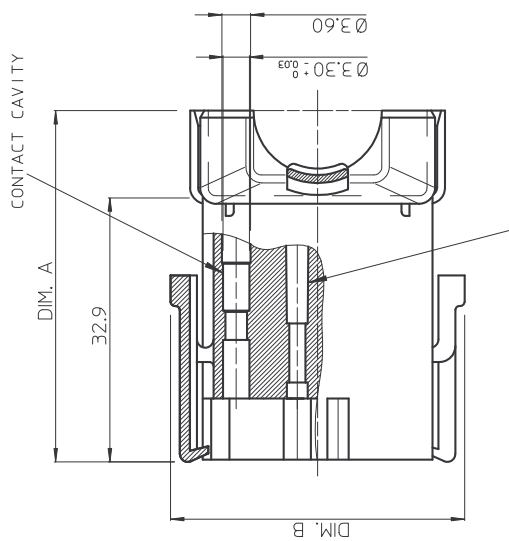


BS.C , 201424 , 014 , 00

GEN. ST.	01	02	03	04	05	06	07	08	0D	50	60	70	80	90	REV.	DATE	DESCRIPTION	BY	C'K'D'																	
INT. ST.	10	11	12	13	14	18	20	31	32	33	34	38	39	40	42	43	44	45	46	48	56	70	72	73	75	76	81	82	83	84	88	.00	21-10-05	CREATION	fl th	



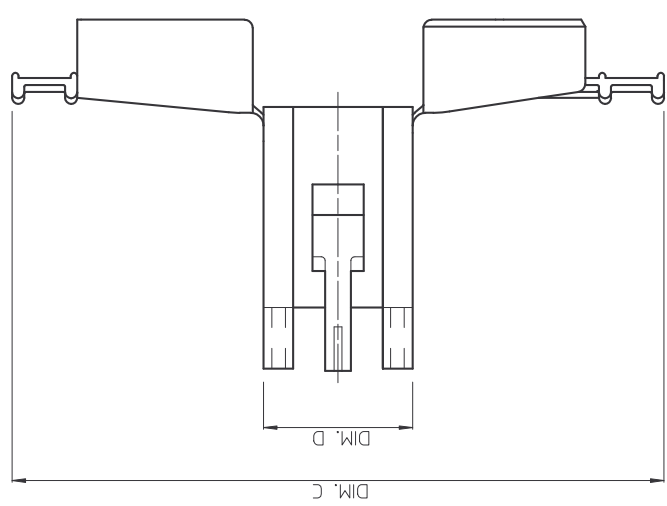
DISCRIMINATION CAVITY

MATERIAL
POLYAMIDE PA 6 / UL94-V0 / COLOUR: GREY
13F2 in accordance with NF F 16101
and NF F 16102 standard

PERFORMANCE CHARACTERISTICS
 OPERATING TEMPERATURE : -40°C TO +105°C
 INSULATION RESISTANCE : 5000 M Ohm MIN.
 TEST POTENTIAL : 2000 VAC
 DURABILITY : 500 CYCLES

NOTES

- CONNECTOR ACCEPTS TRIM TRIO FORMED, MACHINED AND SUBMINIATURE COAXIAL PIN AND SOCKET CONTACTS.
- RAISED CONTACT MARKING ON BOTH: MATING AND WIRING FACE.
- FOR LOCKING OF STRAIN RELIEF HOOD, USE UNIRAP CABLE TIE (SEE TABLE BELOW).
- DISCRIMINATION WITH PINS IS GUARANTEED WITHOUT LOSS OF CONTACT POSITIONS. IF DISCRIMINATION PINS ARE NEEDED: ORDER SMSPK3 PER BS.C , 201424 , 003
- FOR THE CONFIGURATION OF ALL SIZES SEE DRAWING : BS.C , 201424 , 007 . SAME AS SMS--PDH1
- FOR INTERMATEABILITY WITH OTHER PARTS SEE DRAWING : BS.C , 201424 , 008 . SAME AS SMS--PDH1



CATALOG NUMBER	QUANTITY OF CONTACT CAVITIES	QUANTITY OF DISCRIMINATION CAVITIES	DIMENSIONS IN MM											RECOMMENDED UNIRAP CABLE TIE
			A	B	C	D	E (Ø)	F (Ø)	G (Ø)	H	I			
SMS2PDH3	2	0	39.5	16.4	64.8	14.1	0.5	7.4	8.4	57.1	49.2	49.2	49.2	TF-4BKD
SMS3PDH3	3	0	43.0	16.4	69.0	18.6	0.8	4.1	7.3	57.0	49.1	49.1	49.1	TF-4BKD
SMS4PDH3	4	0	46.1	16.4	74.4	23.7	1.5	5.4	10.0	57.1	49.2	49.2	49.2	TF-4BKD
SMS6PDH3	6	2	42.5	21.5	72.6	18.6	1.7	6.8	9.2	58.8	50.9	50.9	50.9	TF-4BKD
SMS9PDH3	9	4	43.7	26.7	75.3	18.6	3.9	9.3	14.3	60.1	52.2	52.2	52.2	TF-5BKD
SMS12PDH3	12	6	46.0	31.7	72.0	18.6	4.0	10.0	15.0	60.6	52.7	52.7	52.7	TF-5BKD
SMS15PDH3	15	8	43.8	36.7	81.3	18.6	5.0	11.0	16.2	63.1	55.2	55.2	55.2	TF-5BKD
SMS18PDH3	18	10	44.0	41.8	81.3	18.6	5.8	12.5	20.3	63.1	55.2	55.2	55.2	TF-5BKD
SMS24PDH3	24	15	47.6	41.8	90.4	23.7	7.1	12.4	20.4	65.1	57.2	57.2	57.2	TF-5BKD
SMS36PDH3	36	24	62.5	31.7	128.0	49.1	8.8	13.0	24.5	71.2	63.3	63.3	63.3	TF-5BKD

APPR.	1DEC ±0.2 1DEC	DATE	21-10-05	SIGN.	ROULLARD CN	CAT. No.	SMS--PDH3	SCALE	1.5/1
	2DEC ±0.1 2DEC		24-10-05		BECHAUVELOUP JM		SOURIAU		
DRAFT		CHECKED		PR. ENG. MGR.		PR. MGT. MGR.		SOURIAU	
WE RESERVE THE RIGHT TO CHANGE SPECIFICATIONS WITHOUT PRIOR NOTICE.		ALL DIMENSIONS IN MM		ALLE AFMETINGEN IN MM		Roule Nationale 23		72470 CHAMPAGNE	
REPERENCES / REFERENTIES		BS.C , 201424 , 014 , 00		CUSTOMER DRAWING		DRAWING No.		1	

THIS IS OUR EXCLUSIVE PROPERTY. IT IS NOT TO BE COPIED, REPRODUCED OR DISCLOSED TO ANY THIRD PARTY NOR USED FOR MANUFACTURING WITHOUT OUR WRITTEN CONSENT, AND HAS TO BE RETURNED TO US IN CASE OF NO USAGE.

DT IS NIET EIGENDOM VAN NIKS ANDERST. NIET KOPEN, NIET REPRODUCEREN, NIET VERBODEN OF DISCLOSEN VAN DEZE OF ANDERE PARTEN NOR WORDEN GEBRUIKT VOOR PRODUCTIE ZONDER ONZE SCHRIFTELIJKE TOELATING. BIJ NIET GEBRUIK IS TERUGGEGANGEN VERPLICHT.