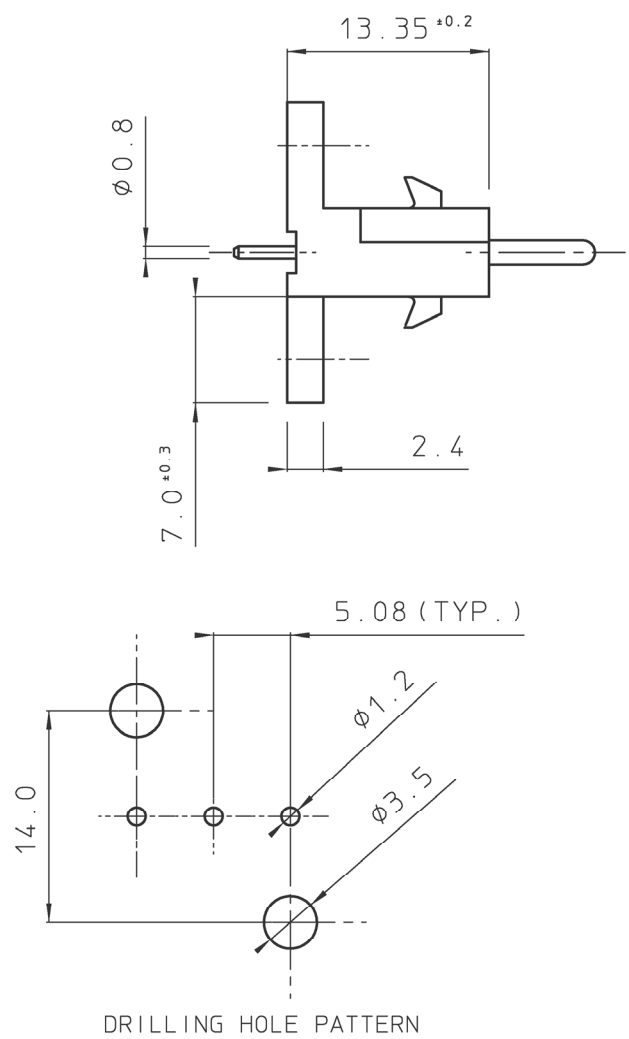
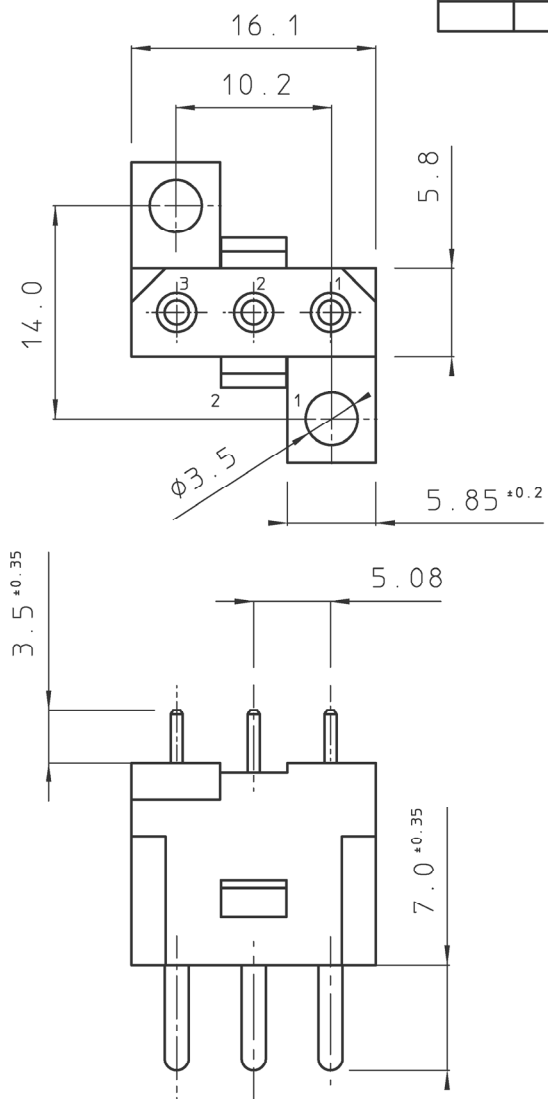


DIT IS ONZE EIGENDOM EN MAG NOCH NAGEMAAKT, HERDRUKT, OVERGEMAAKT AAN DERDEN, NOCH VOOR FABRIKATIE GEBRUIKT WORDEN, ZONDER ONZE SCHRIFTELIJKE TOELATING. BIJ NIET GEBRUIK IS DE TERUGZENDING VERPLICHT.

THIS IS OUR EXCLUSIVE PROPERTY. IT IS NOT TO BE COPIED, REPRINTED OR DISCLOSED TO A THIRD PARTY, NOR USED FOR MANUFACTURING WITHOUT OUR WRITTEN CONSENT, AND HAS TO BE RETURNED TO US IN CASE OF NO USAGE

BS,A , 202363,002,00

REV.	DATE	DESCRIPTION	BY	C'K'D'
00	18.08.97	REDRAWN FROM DRAWING BSA 062110 SHEET 2	S.V.D.	



**MATERIAL :**

BODY : POLYESTER 30% GLASSFILLED , UL94V-0, COLOUR : BLACK  
 CONTACTS : BRASS, GOLD OR TIN PLATED



**PERFORMANCE CHARACTERISTICS :**

OPERATING TEMPERATURE : -55°C TO 105°C  
 INSULATING RESISTANCE : 5000 MΩ MIN.  
 TEST POTENTIAL : 2000 VAC

**NOTES :**

- CONNECTOR SUPPLIED FULLY LOADED WITH MACHINED PIN CONTACTS.  
 GOLD PLATED : SMS3GE4 ; GOLD FLASH : SMS3GE4J ; TIN PLATED : SMS3GE4T
- MATING PART SMS3P1 PLUG
- PC-BOARD THICKNESS : 2.4 MM

GEN. ST.	01	02	03	04	05	06	07	08	0D	50	60	70	80	90																	
INT. ST.	10	11	12	13	14	18	20	31	32	33	34	38	39	40	42	43	44	45	46	48	56	70	72	73	75	76	81	82	83	84	88

1DEC ±0,2 1DEC 2DEC ±0,1 2DEC ANGLES ±1° HOEKEN	<b>APPR.</b>	<b>DATE</b>	<b>SIGN.</b>	SMS QIKMATE STRAIGHT MALE REC. WITH MACH. CONT.
	DRAFT	18-08-97	S. Van Dessel	<b>CAT. No.</b> SMS3GE4*
WE RESERVE THE RIGHT TO CHANGE DIMENSIONS OR REQUIREMENTS WITHOUT PRIOR NOTICE.	PROD. MGR.			 <b>SOURIAU</b> Route Nationale 23 72470 CHAMPAGNE
	PR. ENG. MGR.			
ALL DIMENSIONS IN MM  ALLE AFMETINGEN IN MM	PR. MGT. MGR.			2/1
<b>REFERENCES / REFERENTIES</b>				BS,A , 202363,002,00 DRAWING NR. CUSTOMER DRAWING