

JBXEROC

| | |
|----------|---------------------------|
| MASS (g) | VOLUME (mm ³) |
| 3.7 | 703 |

ELECTRICAL:

EMI SHIELDING : SHIELDED FOR THE RANGE 55dB UP TO 100MHz

INSULATION RESISTANCE : >500MΩ PER ANSI-EIA-364-D METHOD 21

MAX. CURRENT RATING : SEE INSULATOR DRAWING

CONNECTOR TESTING : SEE INSULATOR DRAWING
VOLTAGE

CONNECTOR WORKING : SEE INSULATOR DRAWING
VOLTAGE

ENVIRONMENTAL:

ENDURANCE: 1000 CYCLES AS PER MIL-STD 1344A, METHOD 2016.1

SHOCK: 50 g , DURATION 6 ms; AS PER MIL-STD 1344A, METHOD 2004.1

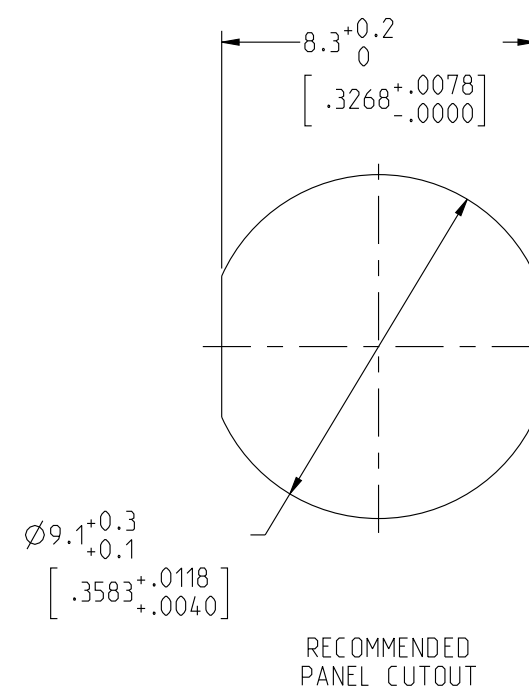
VIBRATIONS: 10 TO 2000Hz g = 20g, AS PER MIL-STD 1344A, METHOD 2005.1

PROTECTION INDEX: IP 40 AS PER IEC 529

ROHS COMPLIANT

SALT MIST : 48Hr PER SAE AS 1344 METHOD 1001.1 CEI 529

OPERATING TEMPERATURE: -55°C TO +125°C (-67°F TO +257°F)



NOTES:

1 RED BAND

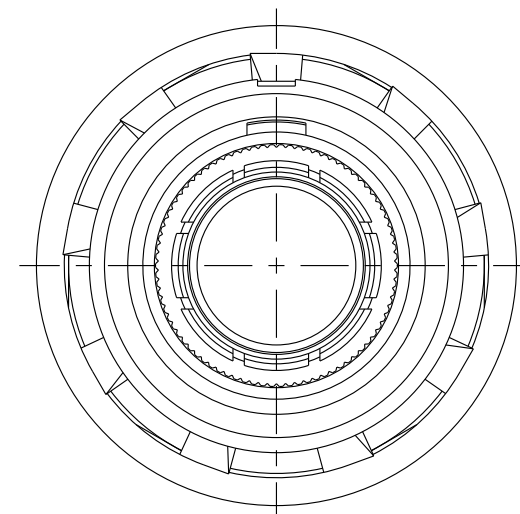
MATERIAL:

OUTER SHELL & NUT : BRASS
SHIELD RING :

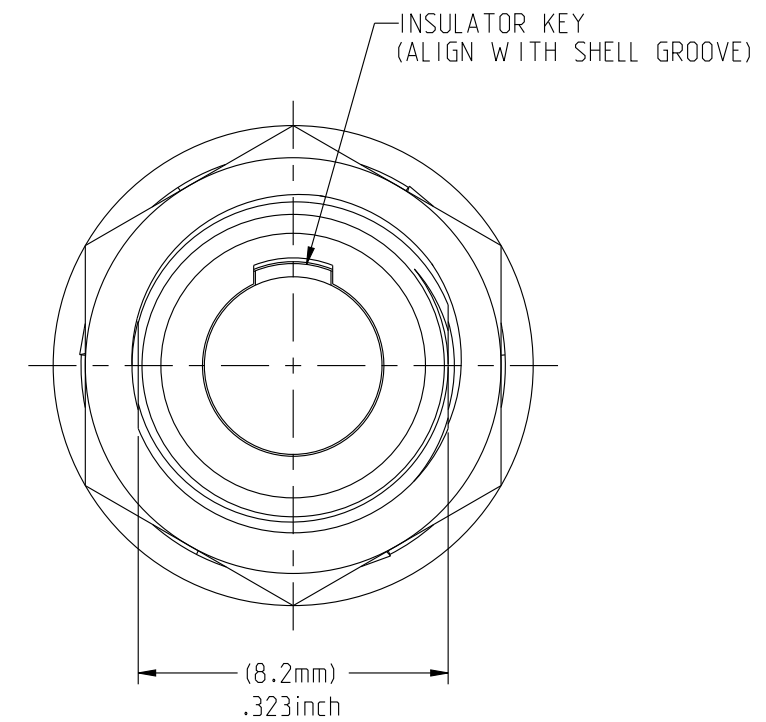
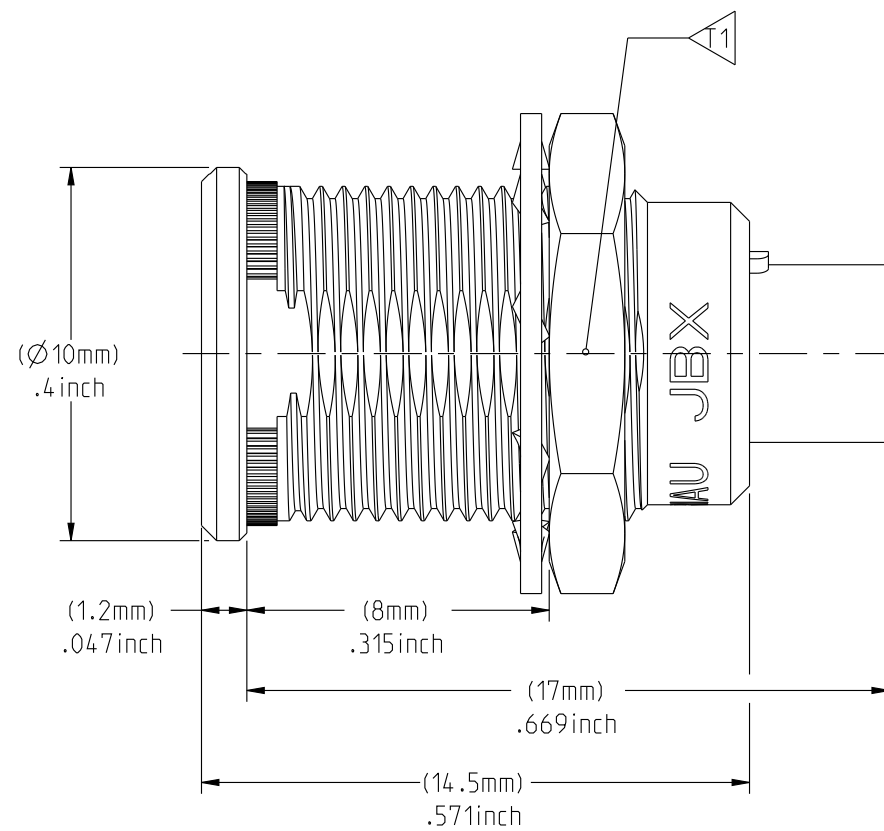
FINISH:

OUTER SHELL : CHROME
OTHER BRASS PARTS : NICKEL

T TOOLS

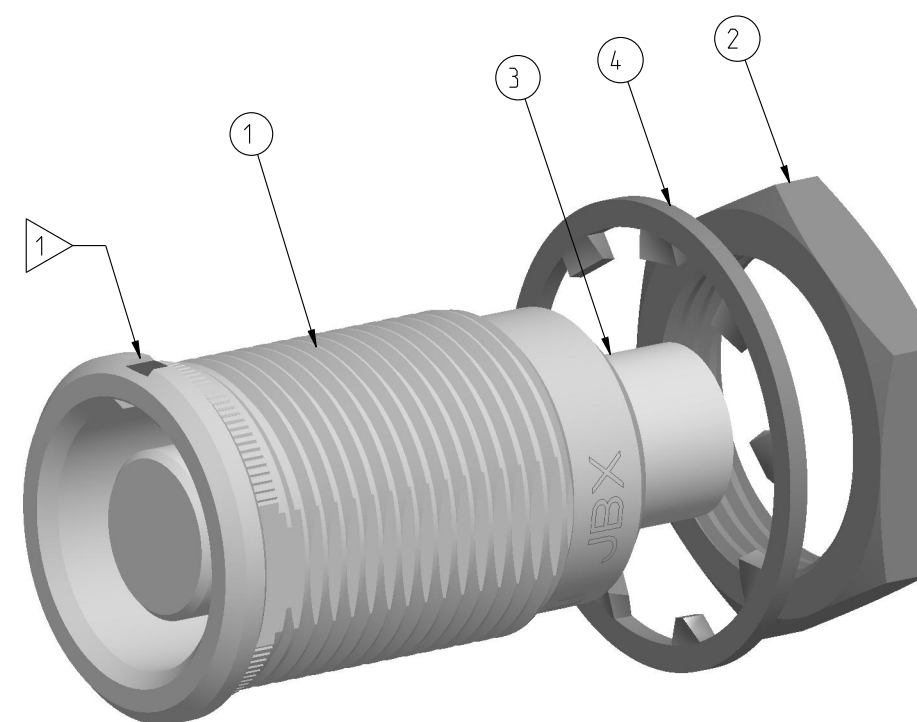


MATING SIDE VIEW



WIRE SIDE VIEW

| PART LIST | |
|-----------|-------------|
| ITEM NO. | DESCRIPTION |
| 1 | SHELL |
| 2 | HEX NUT |
| 3 | INSULATOR |
| 4 | LOCK WASHER |



| | | |
|---|-----------------------|----------------------|
| T | TOOLS (JAW DIMENSION) | ADVISED TORQUE IN Nm |
| 1 | 11 | 0.7 |

CATALOG NUMBER DESCRIPTION

JBX ER 0 XXXXXDXR

BASIC SERIES _____ **OPTION**

SHELL TYPE _____ **INSERT MATERIAL**

SHELL SIZE _____ **COLLET OPTION**

KEYING _____ **SURFACE PLATING**

SEE INSULATOR DRAWING

| ORIGIN | COUNTRY | JURISDICTION | CLASSIFICATION |
|--------|---------|--------------|----------------|
| X | FR | Not listed | N/A |
| | US | EAR | ECCN #EAR99 |

These commodities, technology or software are exported from the United States in accordance with the Export Administration Regulations. Diversion contrary to U.S. law is prohibited.

| | |
|---------------------------------------|--------------|
| LINEAR MEASURE: | mm (INCH) |
| THIRD ANGLE PROJECTION | |
| TOLERANCES UNLESS OTHERWISE SPECIFIED | |
| No. OF PLACES | mm [INCH] |
| W HOLE No. | ±0.5 [±.02] |
| ONE PLACE | ±0.2 [±.008] |
| TWO PLACES | ±0.1 [±.004] |
| ANGLES ±1° | |

DRAWING TITLE
JBX, SIZE O, FRONT PANEL MOUNTING RECEPTACLE

CAT NO. **JBXERO**

CAGE NO: 09922 SIZE: C

CUSTOMER

INTERPRET THIS DRAWING IN ACCORDANCE WITH ASME Y14.5M - 1994.

SOURIAU
WWW.SOURIAU.COM

| | | |
|----------|--------------------|----------|
| APPROVAL | DRAWN: TJS | 01-07-15 |
| | CHKD : EV | 01-07-15 |
| | DSGN : EV | 01-07-15 |
| | MFG : DH | 01-07-15 |
| | QC : BB | 01-07-15 |
| | DRAWING SCALE: 5:1 | |
| | DRAWING NO. | REV |
| | JBXEROC | A |

1 OF 1

THE INFORMATION CONTAINED IN THIS DRAWING IS CONFIDENTIAL AND MAY NOT BE DISCLOSED WITHOUT WRITTEN CONSENT FROM SOURIAU USA, INC.

B

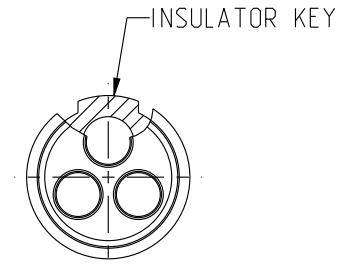
C

4

DWG. NO.
JBX0INSFCC

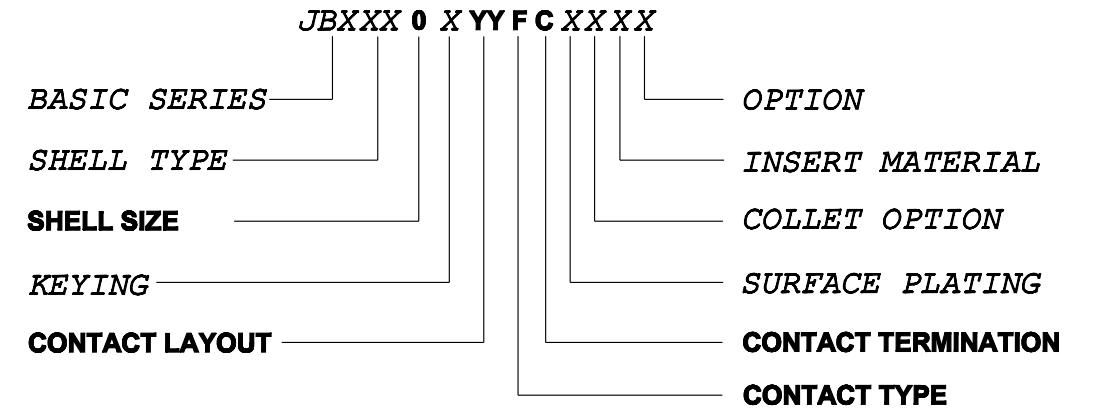
FEMALE INSULATOR, CRIMP CONTACT

| CONTACT LAYOUT | 02 | 03 | 04 | 05 |
|-----------------|----------------------------|---------|---------|---------|
| FRONT SIDE VIEW | | | | |
| REAR SIDE VIEW | | | | |
| CONTACT | | | | |
| ISO VIEW | | | | |
| CONTACT | ØC | 0.9 | 0.9 | 0.7 |
| | ØF | 1.1 | 1.1 | 0.85 |
| | MAX. AWG | 20 | 20 | 22 |
| | MAX. CURRENT RATING (A) | 10 | 10 | 7 |
| INSULATOR | CONTACT RESISTANCE (mΩ) | 3.5 | 3.5 | 5 |
| | NUMBER OF CAVITY | 2 | 3 | 4 |
| | MAX. CURRENT RATING | 10 | 8 | 7 |
| | TEST VOLTAGE (Vrms) | 1400 | 1300 | 1350 |
| | WORKING VOLTAGE (Vdc/Vrms) | 660/460 | 600/420 | 660/460 |
| | | | | 400/260 |



CONTACT TYPE : F (FEMALE)
CONTACT TERMINATION : C (CRIMP)
MATERIAL :
 CONTACT: CUPRO-NICKEL
 CLIP: COPPER ALLOY
 INSULATOR: PEEK
FINISH :
 CONTACTS : GOLD

CATALOG NUMBER DESCRIPTION



| | | | |
|-----|------------------------|-----------------|----------------|
| B | REVISED PER ECN 12286 | RSK 06-10-15 | EV 06-10-15 |
| A | RELEASED PER ECN 12264 | TJS 03-10-15 | EV 03-10-15 |
| REV | DESCRIPTION | BY DATE | CHKD DATE |

DRAWING TITLE
JBX, SIZE 0, FEMALE INSULATOR, CRIMP CONTACT

CAT NO. **JBX0INSFC**

CAGE NO: 09922 SIZE: B

| | | | | |
|-----------------|----------------|----------------------|------------|----------|
| CUSTOMER | SOURIAU | APPROVAL | DRAWN: TJS | 02-04-15 |
| | | | CHKD : EV | 02-04-15 |
| | | | DSGN : EV | 02-04-15 |
| | | | MFG : DH | 02-04-15 |
| | | | QC : BB | 02-04-15 |
| | | DRAWING SCALE: NA | | |
| | | DRAWING NO. REV | | |
| | | JBX0INSFCC B | | |
| | | 1 OF 1 | | |

INTERPRET THIS DRAWING IN ACCORDANCE WITH ASME Y14.5M - 1994.

WWW.SOURIAU.COM

| ORIGIN | COUNTRY | JURISDICTION | CLASSIFICATION |
|--------|---------|--------------|----------------|
| X | FR | Not listed | N/A |
| | US | EAR | ECCN =EAR99 |

These commodities, technology or software are exported from the United States in accordance with the Export Administration Regulations. Diversion contrary to U.S. law is prohibited.

LINEAR MEASURE: $\frac{mm}{INCH}$ mm (INCH)
 THIRD ANGLE PROJECTION

 TOLERANCES UNLESS OTHERWISE SPECIFIED
 No. OF PLACES mm [INCH]
 ONE PLACE ±3 [±.1]
 TWO PLACES ±0.5 [±.02]
 THREE PLACES ±0.25 [±.010]
 ANGLES ±1°

THIS DRAWING IS A CONTROLLED DOCUMENT FOR SOURIAU USA, INC. IT IS SUBJECT TO CHANGE WITHOUT NOTIFICATION. CONTACT THE DOCUMENT CONTROL CENTER FOR THE LATEST REVISION.

THE INFORMATION CONTAINED IN THIS DRAWING IS CONFIDENTIAL AND MAY NOT BE DISCLOSED WITHOUT WRITTEN CONSENT FROM SOURIAU USA, INC.

B

A