

THIS DRAWING IS UNPUBLISHED.

RELEASED FOR PUBLICATION

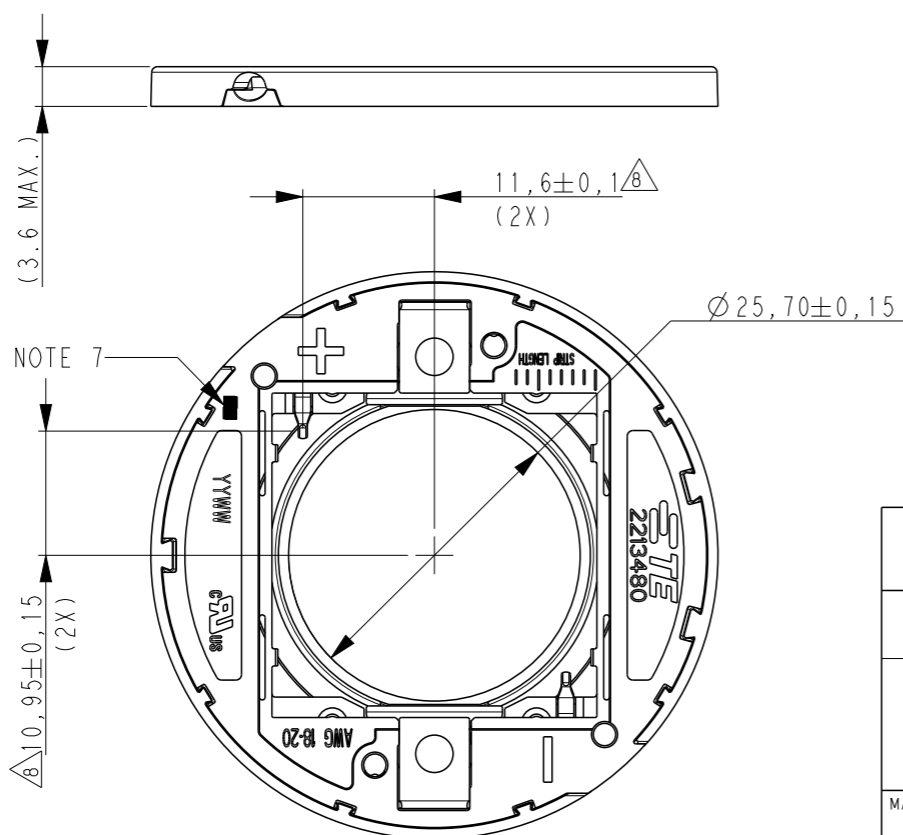
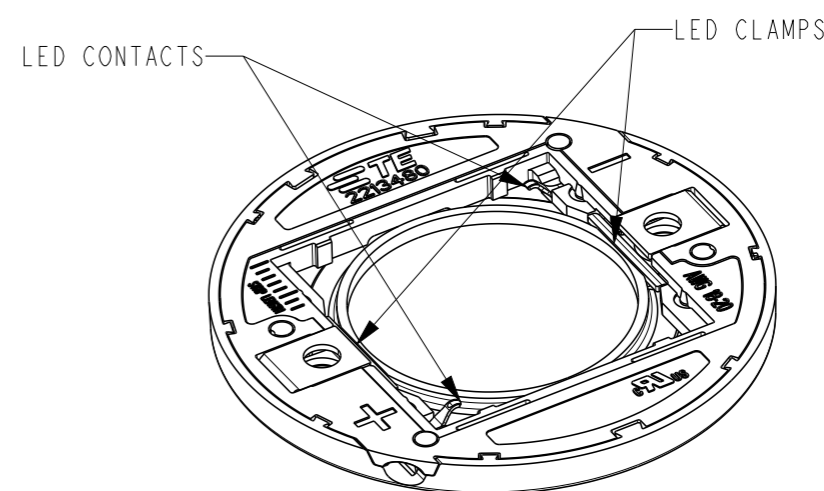
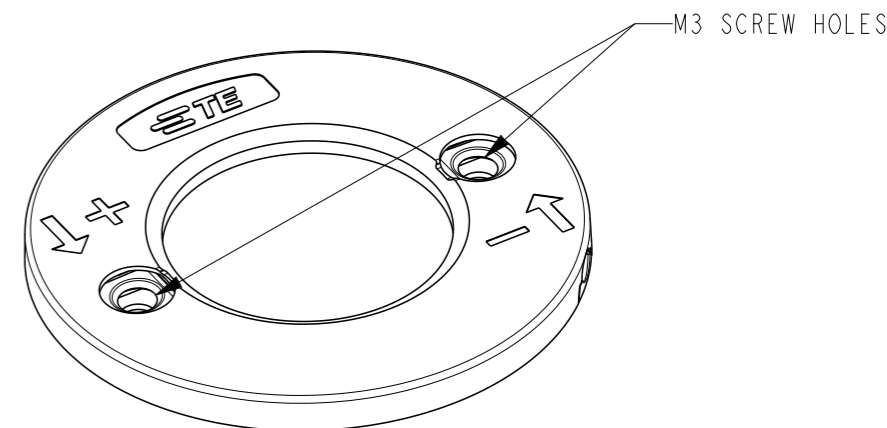
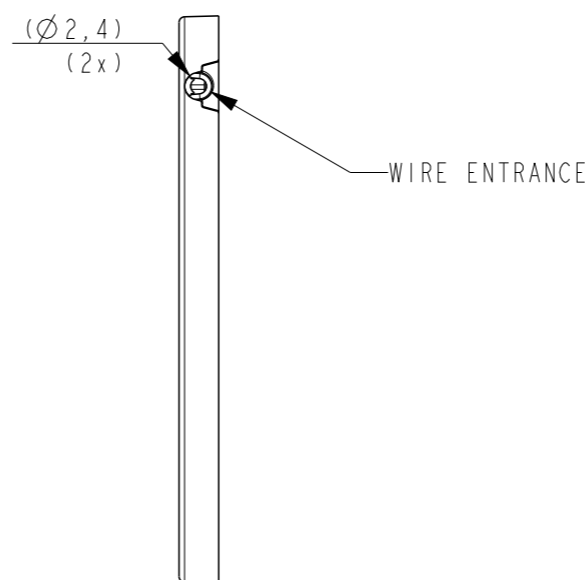
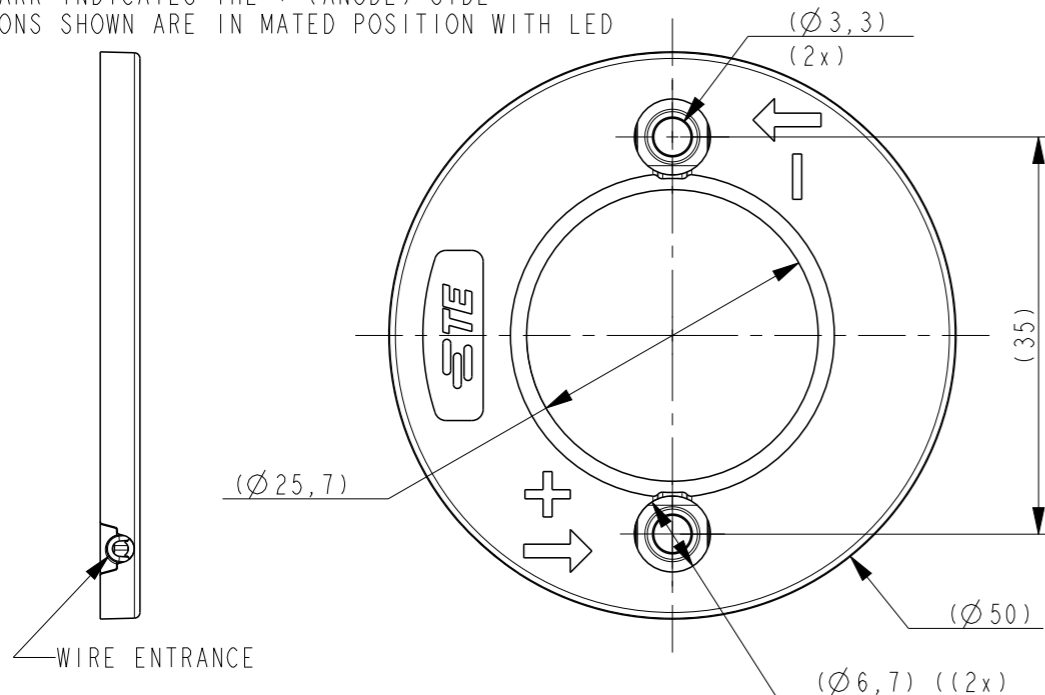
© COPYRIGHT - BY TYCO ELECTRONICS CORPORATION. ALL RIGHTS RESERVED.

LOC	DIST	REVISIONS			
P	LTR	DESCRIPTION	DATE	DWN	APVD
H	-	A	ECR-15-001589	03FEB2015	KR OL
		B	ECR-15-006869	02MAY2015	KR OL
		C	ECR-16-008263	09JUN2016	KR MvE

NOTES:


- MATERIALS:
HOUSING: GLASS FILLED PBT, HALOGEN FREE FLAME RETARDANT
COLOR : WHITE
CONTACTS: GOLD PLATED COPPER ALLOY
- FOR WIRE TYPES AWG 18 AND 20 AWG.
- COMPLIES WITH DIRECTIVE 2002/95/EC (ROHS)
- WIRE STRIP LENGTH: 7-8 mm
- MAX. WIRE INSULATION OUTER DIAM.: $\varnothing 2.3\text{mm}$.
- RECOMMENDED SCREW TORQUE: 0.4 - 0.6 Nm.
- IN ORDER TO CREATE A FLAT OPTIC LANDINGZONE ON HOLDER A COUNTERSUNK SCREW CAN BE USED, I.E. SCREW-TYPE ISO 10642.
- BLACK MARK INDICATES THE + (ANODE) SIDE

△ DIMENSIONS SHOWN ARE IN MATED POSITION WITH LED



PART NO	DESCRIPTION	PACKAGING
2-2213480-1	Z50 LED HOLDER 2828	2x10 PIECES IN TRAY AND BOX 25 BOXES IN SHIPPING BOX
1-2213480-1	Z50 LED HOLDER 2828	2x10 PIECES IN TRAY AND BOX 25 BOXES IN SHIPPING BOX
2213480-2	LUMAWISE Z50 LED holder 2727 general	2x5 PIECES IN TRAY 56 TRAYS IN SHIPPING BOX
2213480-1	LUMAWISE Z50 LED holder 2828 general	2x5 PIECES IN TRAY 56 TRAYS IN SHIPPING BOX

THIS DRAWING IS A CONTROLLED DOCUMENT.

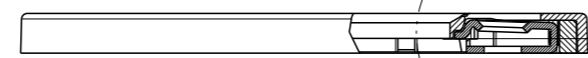
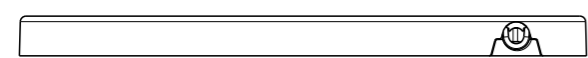
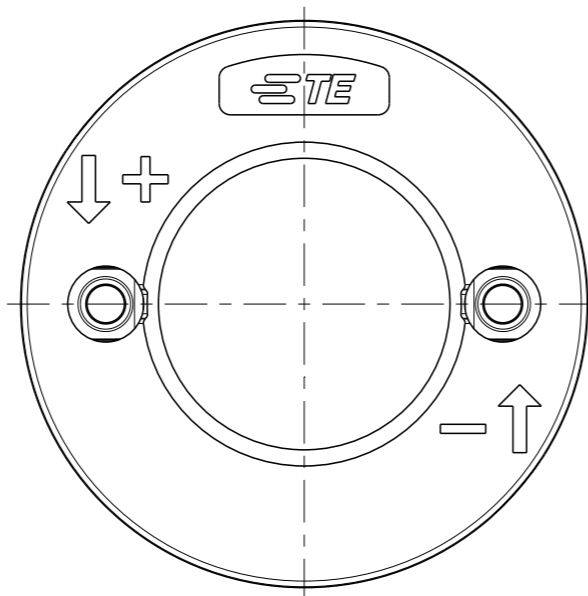
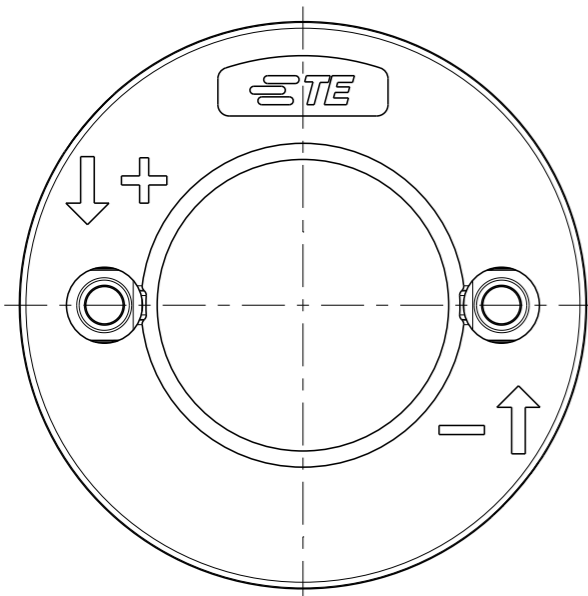
DWN	08APRIL2014	 TE Connectivity	NAME LUMAWISE Z50 high performance LED HOLDER		
CHK	08APRIL2014				
APVD	08APRIL2014				
PRODUCT SPEC	108-133018				
APPLICATION SPEC	114-133019	SIZE	CAGE CODE	DRAWING NO	RESTRICTED TO
MATERIAL	-	A3	00779	C-2213480	-
Customer Drawing		SCALE	SHEET	OF	REV
		3:2	1	3	C

THIS DRAWING IS UNPUBLISHED. RELEASED FOR PUBLICATION
 © COPYRIGHT - BY TYCO ELECTRONICS CORPORATION. ALL RIGHTS RESERVED.

LOC	DIST	REVISIONS					
H	-	P	LTR	DESCRIPTION	DATE	DWN	APVD
		-		SEE SHEET 1	-	-	-

2213480-1 AS SHOWN

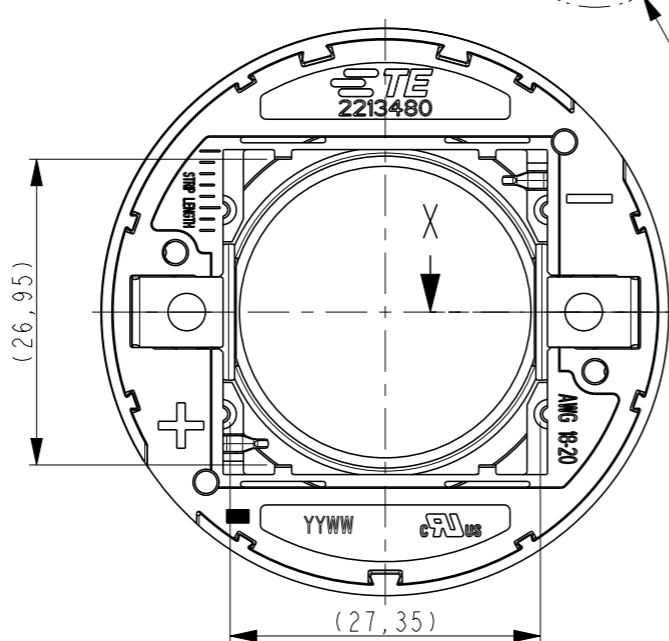
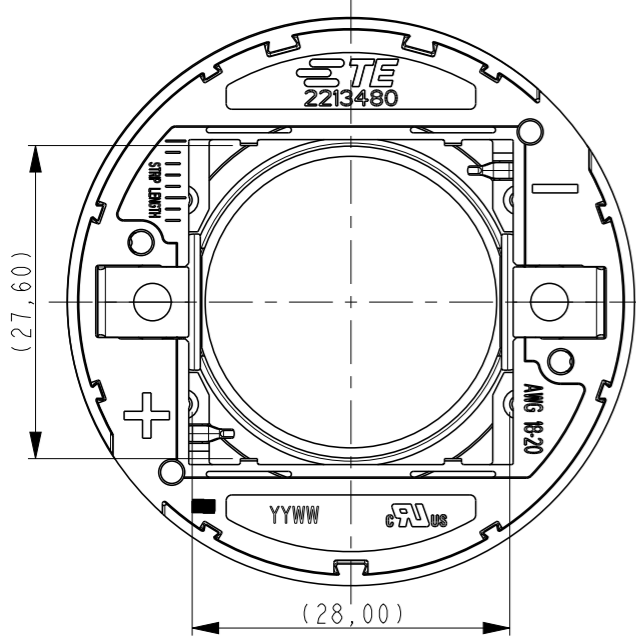
2213480-2 AS SHOWN



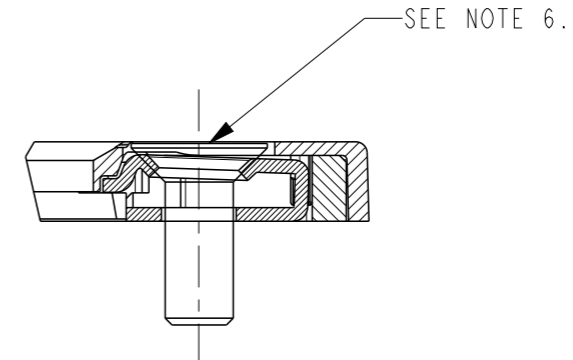
1.2 MAX.
LED HEIGHT


SECTION X-X

SEE DETAIL A



DETAIL A
SCALE 3:1



THIS DRAWING IS A CONTROLLED DOCUMENT.		DWN P. POORTER 08APRIL2014	 TE Connectivity	
DIMENSIONS: mm		CHK O. LEIJNSE 08APRIL2014		
TOLERANCES UNLESS OTHERWISE SPECIFIED:		APVD O. LEIJNSE 08APRIL2014	NAME LUMAWISE Z50 high performance LED HOLDER	
0 PLC ±- 1 PLC ±- 2 PLC ±- 3 PLC ±- 4 PLC ±- ANGLES ±-		PRODUCT SPEC 108-133018	RESTRICTED TO	
MATERIAL -		FINISH -	SIZE A3	CAGE CODE 00779
		WEIGHT -	DRAWING NO C-2213480	
		Customer Drawing	SCALE 3:2	SHEET 2 OF 3
				REV C

4

3

2

1

THIS DRAWING IS UNPUBLISHED.

RELEASED FOR PUBLICATION

© COPYRIGHT - BY TYCO ELECTRONICS CORPORATION. ALL RIGHTS RESERVED.

LOC	DIST	REVISIONS					
H	-	P	LTR	DESCRIPTION	DATE	DWN	APVD
			-	SEE SHEET 1	-	-	-

RECOMMENDED DRILLING HOLE PATTERN:

M3 (2x)
 ± 0.1

35,00

$\varnothing 50.0$ MIN.
KEEP OUT ZONE

NOMINAL LED INFO:

THE SKETCH BELOW IS SHOWING THE NOMINAL LED COB DIMENSIONS TO MATCH WITH THE Z50 LED HOLDER 2828

FOR TECHNICAL DETAILS ABOUT A PROPER MATCH WITH A SPECIFIC LED COB ARRAY PLEASE CONTACT A REPRESENTATIVE AT TE-CONNECTIVITY

27.35-28,00
NOMINAL

CONTACT POINTS
AREA (2x)

27.35-28,00
NOMINAL

1.2 MAX.

LES
25,50 MAX.

RECOMMENDED KEEP OUT AREA FOR CLAMPING:

25,8 MIN.

12,7 MIN.

NO TRACKS BELOW THIS AREA !

THIS DRAWING IS A CONTROLLED DOCUMENT.		DWN P. POORTER 08APRIL2014	TE Connectivity													
DIMENSIONS: mm		CHK O. LEIJNSE 08APRIL2014														
TOLERANCES UNLESS OTHERWISE SPECIFIED:		APVD O. LEIJNSE 08APRIL2014	NAME LUMAWISE Z50 high performance LED HOLDER													
<table border="1"> <tr><td>0 PLC</td><td>±-</td></tr> <tr><td>1 PLC</td><td>±-</td></tr> <tr><td>2 PLC</td><td>±-</td></tr> <tr><td>3 PLC</td><td>±-</td></tr> <tr><td>4 PLC</td><td>±-</td></tr> <tr><td>ANGLES</td><td>±-</td></tr> </table>		0 PLC	±-	1 PLC	±-	2 PLC	±-	3 PLC	±-	4 PLC	±-	ANGLES	±-	PRODUCT SPEC 108-133018	RESTRICTED TO	
0 PLC	±-															
1 PLC	±-															
2 PLC	±-															
3 PLC	±-															
4 PLC	±-															
ANGLES	±-															
MATERIAL		APPLICATION SPEC -	SIZE A3	CAGE CODE 00779	DRAWING NO C-2213480											
FINISH		WEIGHT -	SCALE 3:2		SHEET 3 OF 3											
		Customer Drawing	REV C													

1470-19 (3/11)