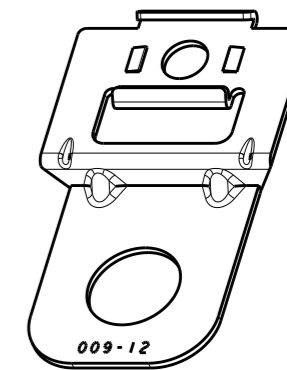
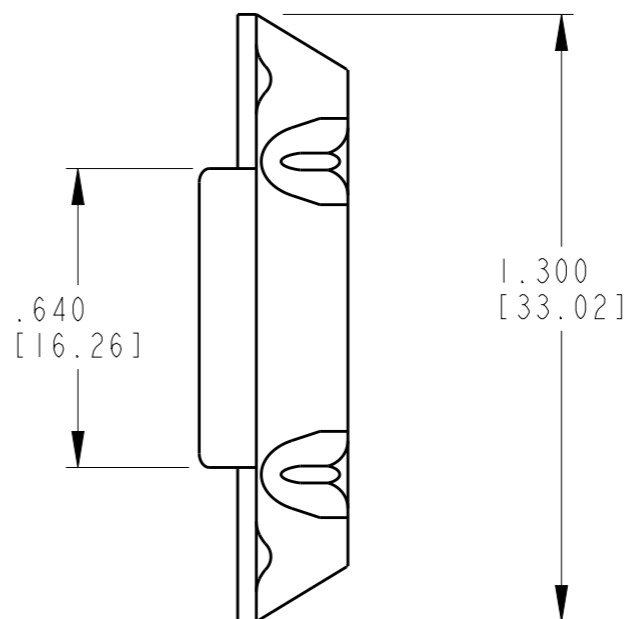
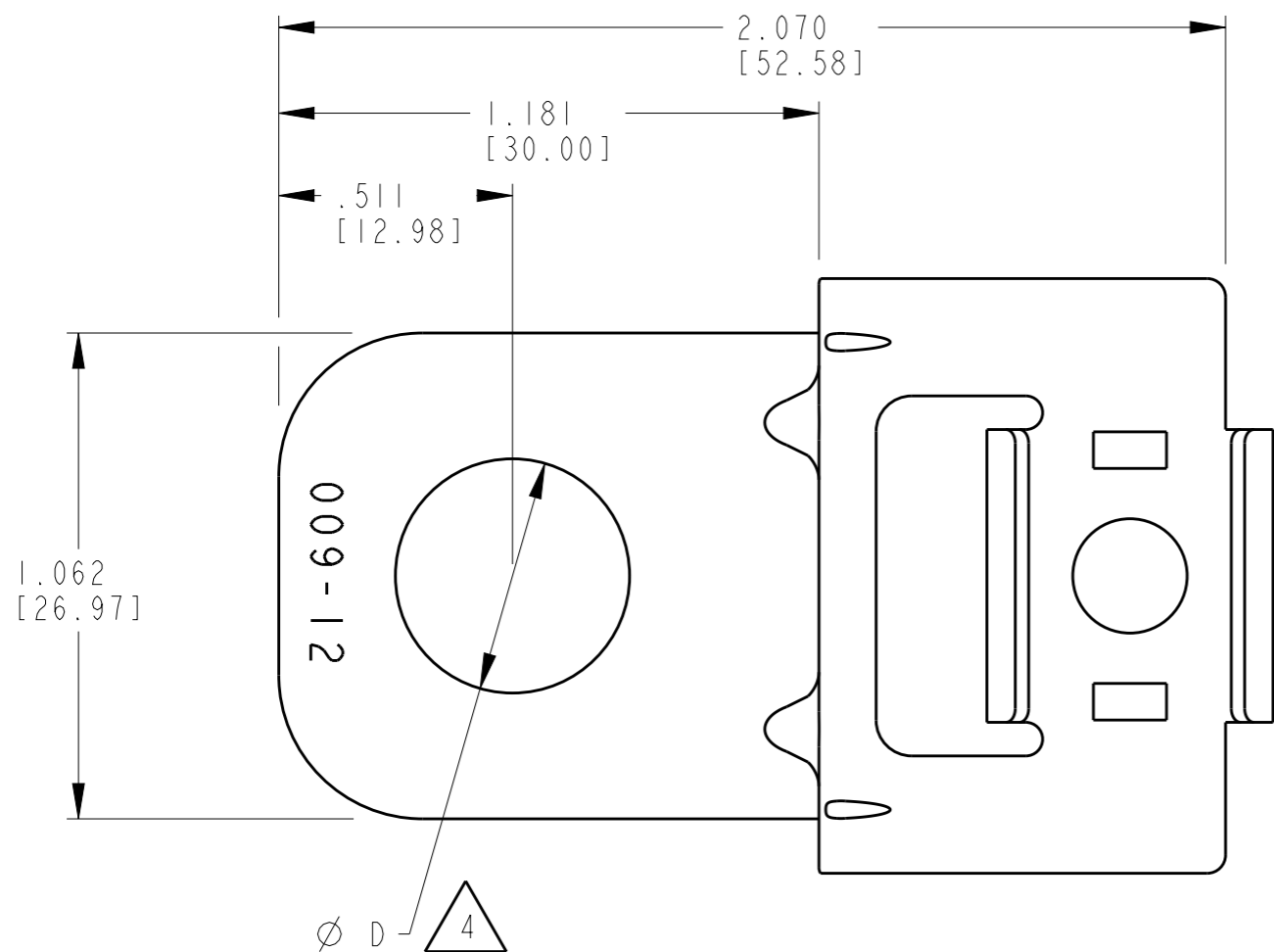
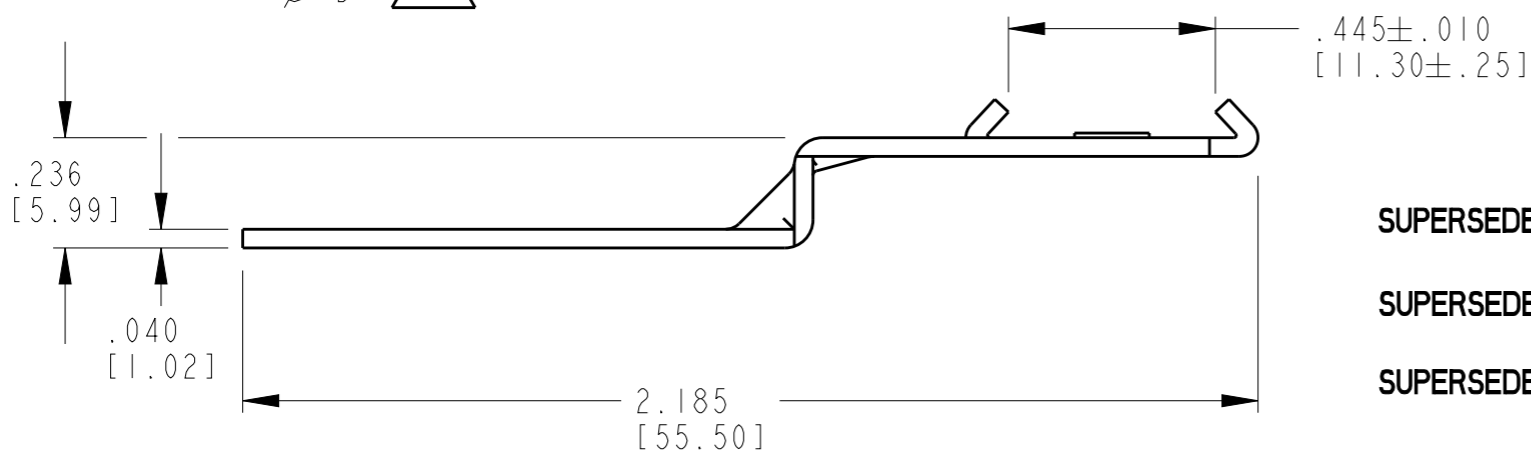


THIS DRAWING IS UNPUBLISHED. RELEASED FOR PUBLICATION 2015
 © COPYRIGHT 2001 BY TE CONNECTIVITY ALL RIGHTS RESERVED.

REVISIONS					
P	LTR	DESCRIPTION	DATE	DWN	APVD
	NC	NEW RELEASE PER E.O. P17503	09NOV2001	SB	RDR
	A1	SUPERSEDED PER ECO-16-001711	23DEC2015	DH	DM



3D VIEW





SUPERSEDED BY 1027-007-1200 CUSTOMER DRAWING
SUPERSEDED BY 1027-008-1200 CUSTOMER DRAWING
SUPERSEDED BY 1027-009-1200 CUSTOMER DRAWING
SUPERSEDED BY 1027-017-1200 CUSTOMER DRAWING

PART NUMBER	D (HOLE DIAMETER)
1027-007-1200	NO HOLE
1027-008-1200	.433 [11.0]
1027-009-1200	.511 [13.0]
1027-013-1200	.323 [8.2]

- 4** PART INFORMATION: SEE TABLE.
 3. MATERIAL: STEEL - ZINC PLATE.
 2. TOLERANCES: ±.025 [±0.63] UNLESS OTHERWISE SPECIFIED.
 1. ALL DIMENSIONS ARE IN INCHES [MILLIMETERS].

NOTES:

THIS DRAWING IS A CONTROLLED DOCUMENT.		DWN D. HASIBUAN 12NOV2015	 TE Connectivity	
DIMENSIONS: INCHES [mm]		CHK D. MEYER 23DEC2015		
TOLERANCES UNLESS OTHERWISE SPECIFIED:		APVD D. MEYER 23DEC2015	NAME METAL CLIP SIDE MOUNTING BRACKET DT, DTM, DTP, DTHD SERIES	
 0 PLC ±- 1 PLC ±- 2 PLC ± 3 PLC ±.025 [.63] 4 PLC ±- ANGLES ±0		PRODUCT SPEC -	RESTRICTED TO -	
MATERIAL -		FINISH -	APPLICATION SPEC -	SIZE A3
		WEIGHT -	CAGE CODE 4AFU8	DRAWING NO 1027-007/009-013-1200
		CUSTOMER DRAWING	SCALE 2:1	SHEET 1 OF 1
				REV A1