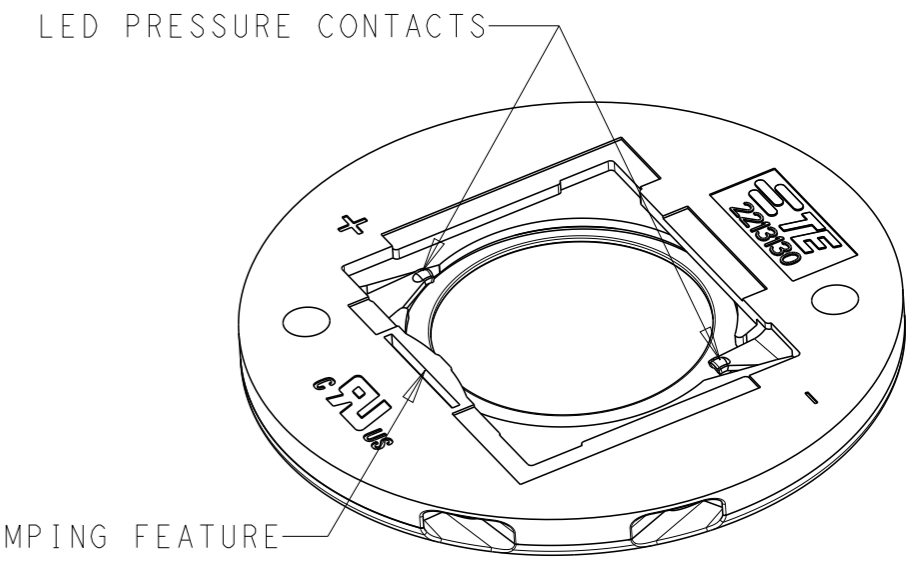
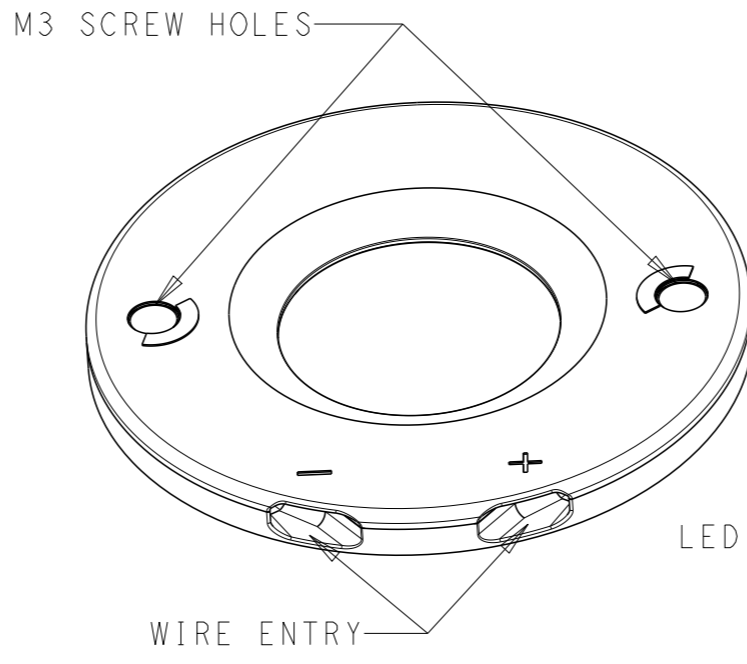
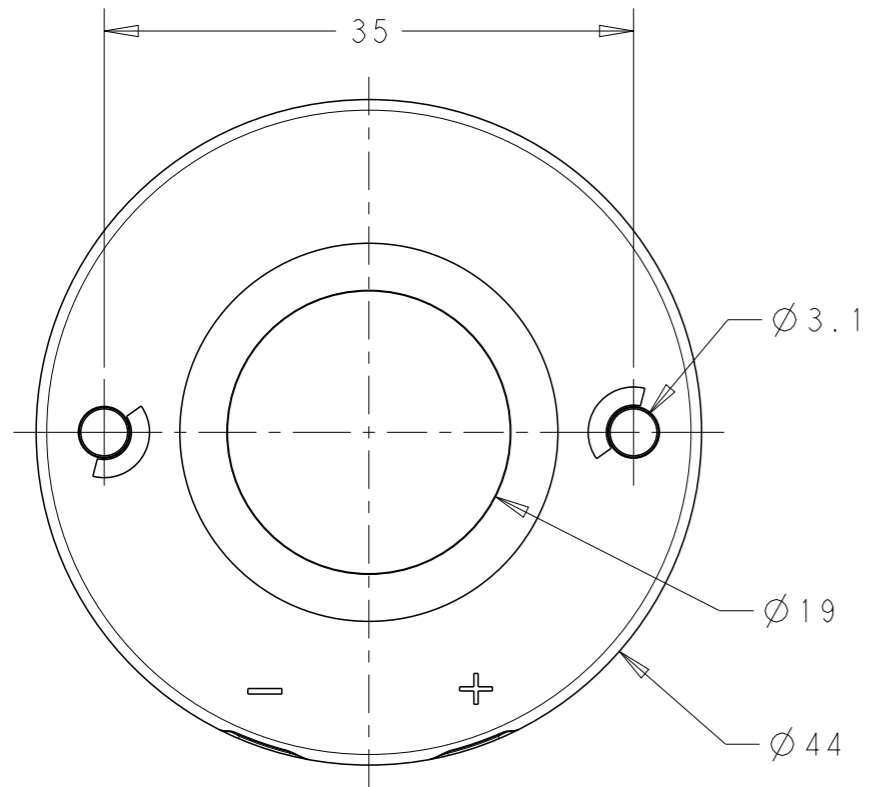
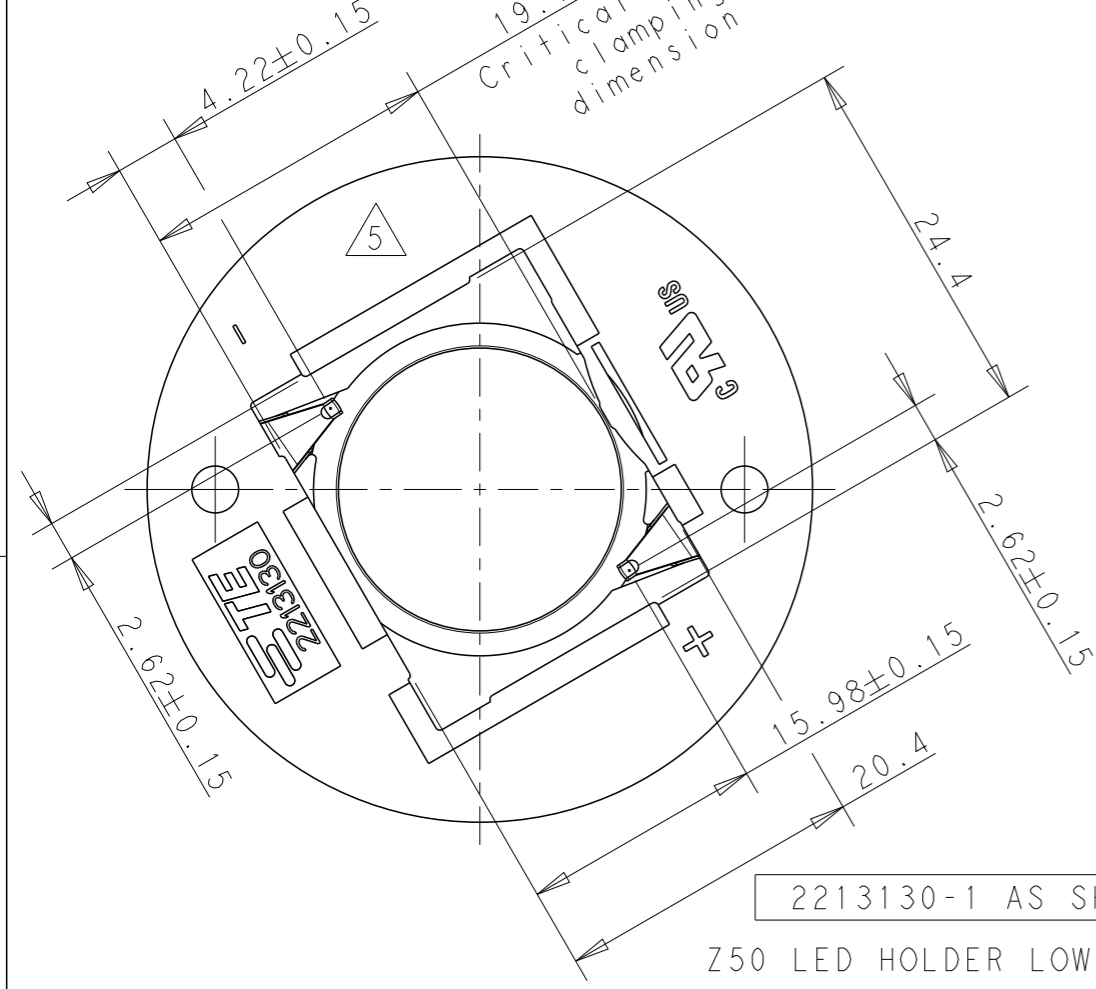
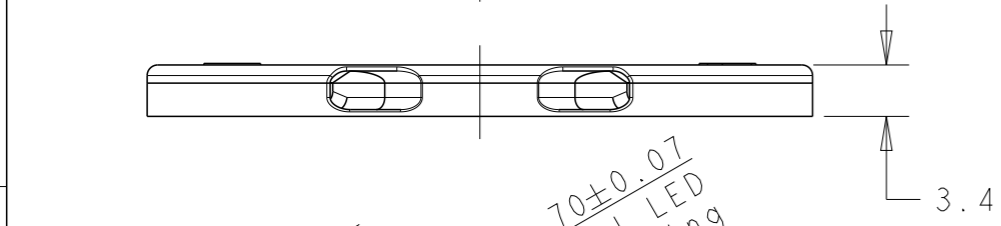


THIS DRAWING IS UNPUBLISHED. RELEASED FOR PUBLICATION 20
 © COPYRIGHT 20 BY - ALL RIGHTS RESERVED.

REVISIONS					
P	LTR	DESCRIPTION	DATE	DWN	APVD
C		ECR-15-018339	29DEC2015	KR	MvE
C1		ECR-16-001206	27JAN2016	KR	MvE
D		ECR-16-003236	02MAR2016	KR	MvE
E		ADDED RELEASED LED	03FEB2017	KR	MvE



- NOTES:
- MATERIALS:
 HOUSING: GLASS FILLED PBT,
 HALOGEN FREE FLAME RETARDANT
 COLOR: NATURAL/WHITE
 CONTACTS: SILVER PLATED COPPER ALLOY
 - FOR SOLID AND STANDARD WIRE AWG 22-18
 - COMPLIES WITH DIRECTIVE 2002/95/EC (ROHS)
 - M3 SCREW TO BE USED FOR MOUNTING
 - DATE CODE YY-WW-D ANY WHERE EXCEPT OVER LOGO OR +/- SIGN.



PART NO	DESCRIPTION	PACKAGING
2-2213130-1	Z50 LED HOLDER LOW PROFILE 2024	2x10 PIECES IN TRAY AND BOX 25 BOXES IN SHIPPING BOX
1-2213130-2	Z50 LED HOLDER STANDARD PROFILE 2024	2x10 PIECES IN TRAY AND BOX 25 BOXES IN SHIPPING BOX
1-2213130-1	Z50 LED HOLDER LOW PROFILE 2024	2x10 PIECES IN TRAY AND BOX 25 BOXES IN SHIPPING BOX
2213130-2	Z50 LED HOLDER STANDARD PROFILE 2024	5x4 PIECES IN TRAY 25 TRAYS IN SHIPPING BOX
2213130-1	Z50 LED HOLDER LOW PROFILE 2024	5x4 PIECES IN TRAY 35 TRAYS IN SHIPPING BOX

THIS DRAWING IS A CONTROLLED DOCUMENT.

DIMENSIONS: mm

TOLERANCES UNLESS OTHERWISE SPECIFIED:

0 PLC	±-
1 PLC	±-
2 PLC	±-
3 PLC	±-
4 PLC	±-
ANGLES	±-
FINISH	-

MATERIAL: -

THIS DRAWING IS A CONTROLLED DOCUMENT.

DWN: M.V.ESSEN 28AUG2013

CHK: M.V.ESSEN 28AUG2013

APVD: O.I.FIJNSE 28AUG2013

PRODUCT SPEC: 108-133008

APPLICATION SPEC: 114-32048

WEIGHT: -

CUSTOMER DRAWING

NAME: LUMAWISE Z50 LED HOLDER 2024

SIZE: A3

CAGE CODE: 00779

DRAWING NO: C-2213130

RESTRICTED TO: -

SCALE: 2:1

SHEET: 1 OF 3

REV: E

THIS DRAWING IS UNPUBLISHED.

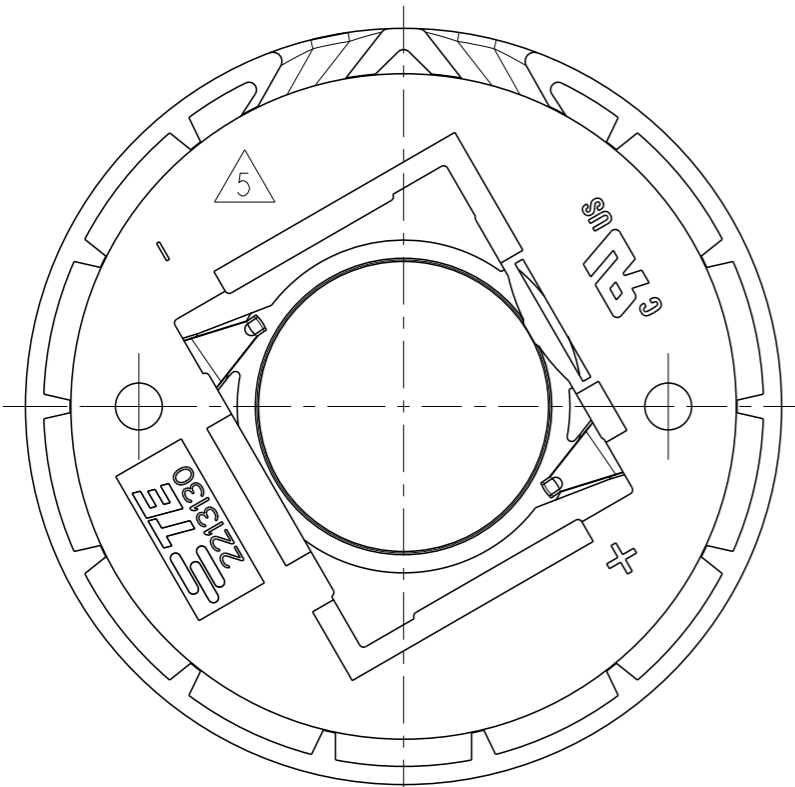
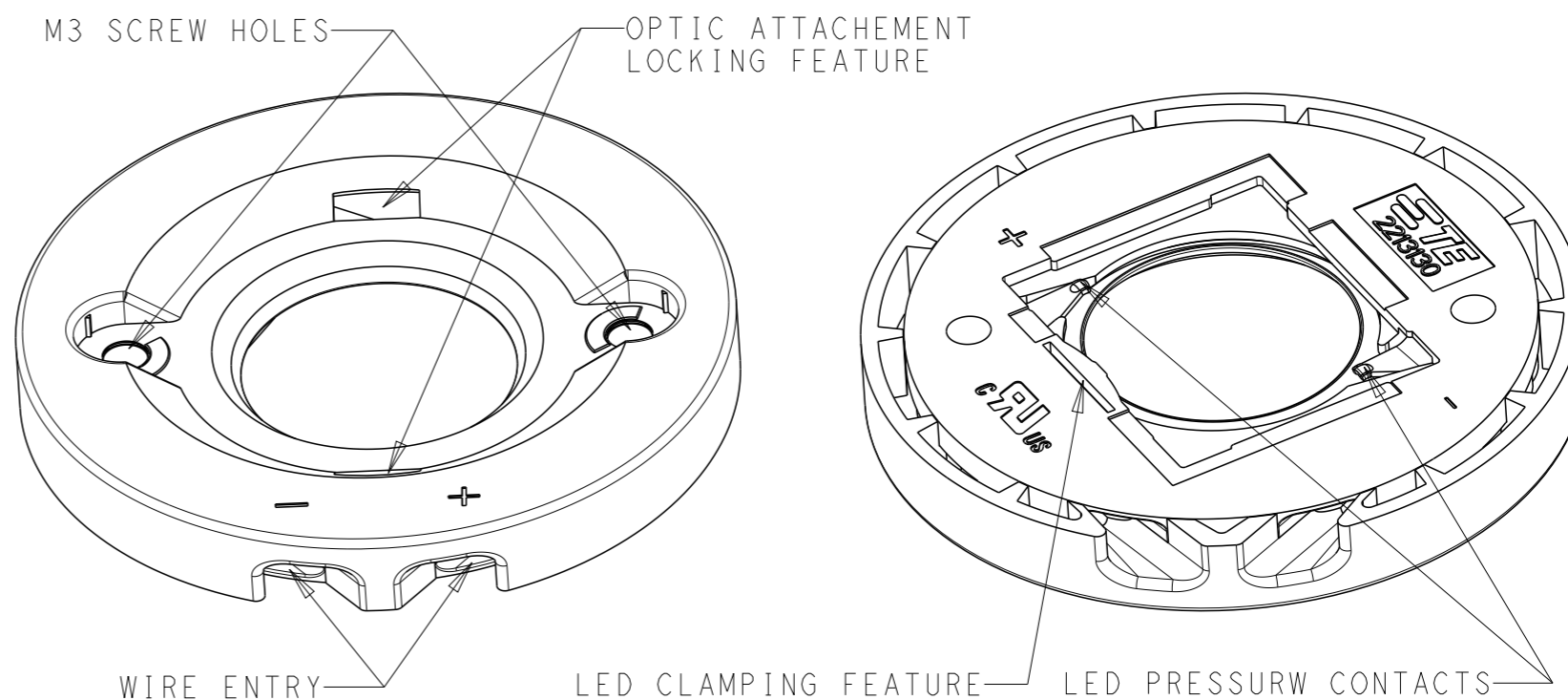
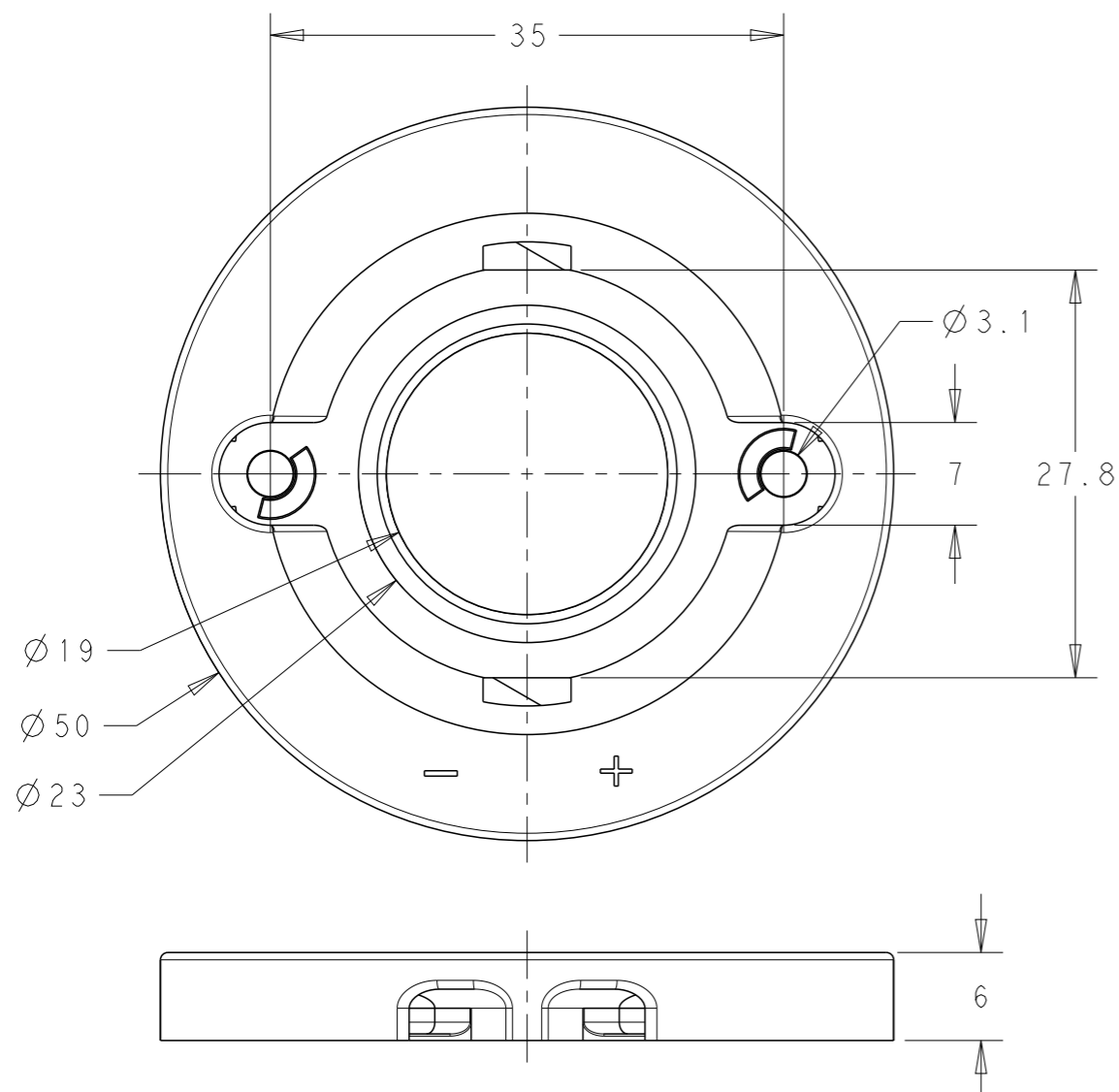
RELEASED FOR PUBLICATION

20

© COPYRIGHT 20 BY - ALL RIGHTS RESERVED.


REVISIONS

P	LTR	DESCRIPTION	DATE	DWN	APVD
-	-	SEE SHEET 1	-	-	-



2213130-2 AS SHOWN

Z50 LED HOLDER STANDARD PROFILE

THIS DRAWING IS A CONTROLLED DOCUMENT.		DWN M.V.ESSSEN 28AUG2013	 TE Connectivity																	
DIMENSIONS: mm		CHK M.V.ESSSEN 28AUG2013			NAME LUMAWISE Z50 LED HOLDER 2024															
TOLERANCES UNLESS OTHERWISE SPECIFIED:		APVD O.I.FIJNSE 28AUG2013																		
<table border="0"> <tr><td>0 PLC</td><td>±·</td></tr> <tr><td>1 PLC</td><td>±·</td></tr> <tr><td>2 PLC</td><td>±·</td></tr> <tr><td>3 PLC</td><td>±·</td></tr> <tr><td>4 PLC</td><td>±·</td></tr> <tr><td>ANGLES</td><td>±·</td></tr> <tr><td>FINISH</td><td>±·</td></tr> </table>		0 PLC			±·	1 PLC	±·	2 PLC	±·	3 PLC	±·	4 PLC	±·	ANGLES	±·	FINISH	±·	PRODUCT SPEC 108-133008	SIZE A3	CAGE CODE 00779
0 PLC	±·																			
1 PLC	±·																			
2 PLC	±·																			
3 PLC	±·																			
4 PLC	±·																			
ANGLES	±·																			
FINISH	±·																			
MATERIAL -	FINISH -	APPLICATION SPEC 114-32048	WEIGHT -	SCALE 5:1		SHEET 2 OF 3	REV E													
CUSTOMER DRAWING																				

THIS DRAWING IS UNPUBLISHED.

RELEASED FOR PUBLICATION

20

© COPYRIGHT 20 BY -

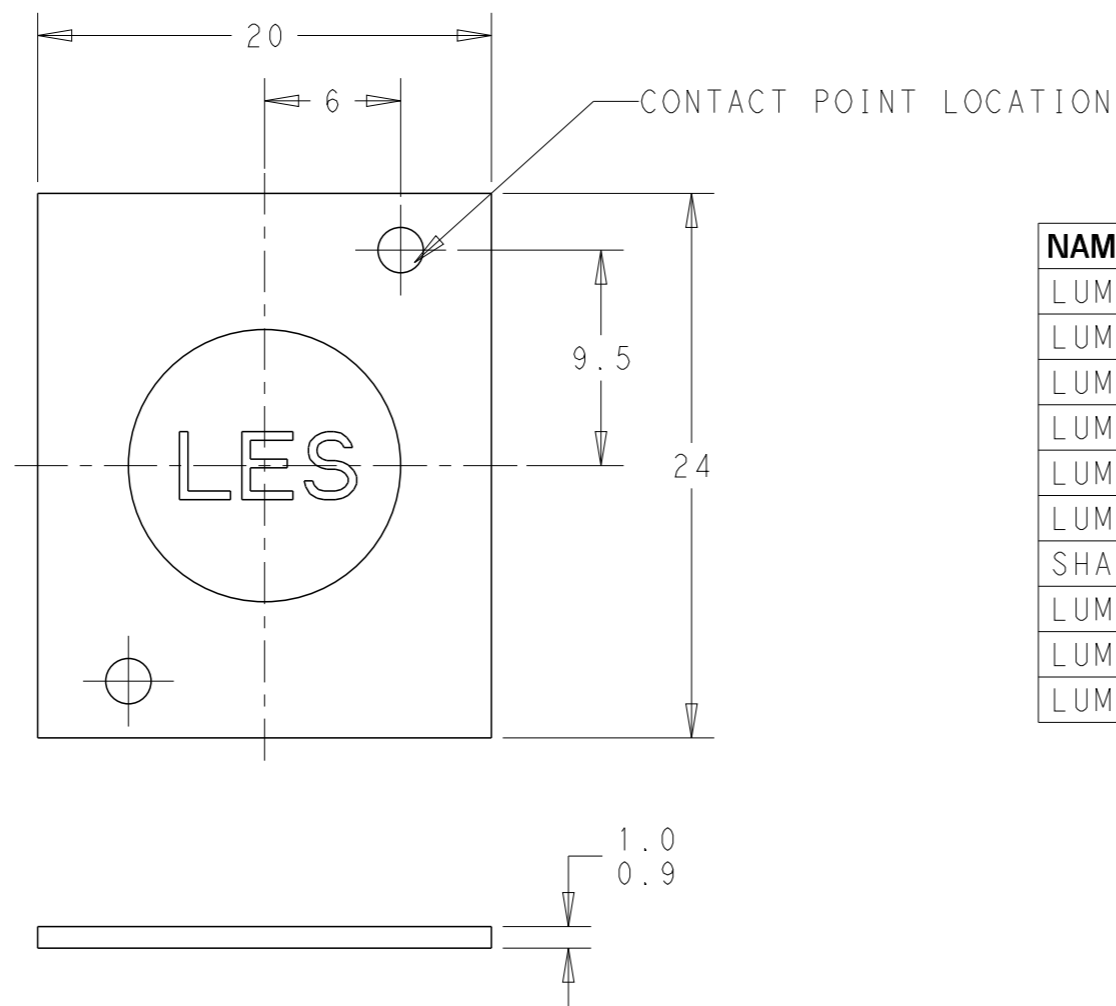
ALL RIGHTS RESERVED.

REVISIONS

P	LTR	DESCRIPTION	DATE	DWN	APVD
-		SEE SHEET 1	-	-	-

THE SKETCH BELOW IS SHOWING THE NOMINAL LED COB DIMENSION TO MATCH WITH THE Z50 LED HOLDER 2024

FOR TECHNICAL DETAILS ABOUT A PROPER MATCH WITH A SPECIFIC LED COB ARRAY PLEASE CONTACT A REPRESENTATIVE AT TE-CONNECTIVITY



RELEASED LEDs

NAME	TYPE	DATA SHEET	REVISION	TE PART NUMBER
LUMILEDS	1204	DS115	20130614	2213130-1/-2
LUMILEDS	1205	DS115	20130614	2213130-1/-2
LUMILEDS	1208	DS115	20130614	2213130-1/-2
LUMILEDS	1204 CRSP	DS138	20140703	2213130-1/-2
LUMILEDS	1205 CRSP	DS138	20140703	2213130-1/-2
LUMILEDS	1208 CRSP	DS138	20140703	2213130-1/-2
SHARP	MEGA ZENIGATA	DG-125039	41059	2213130-1/-2
LUMILEDS	1204 GEN 3	DS162	20161102	2213130-1/-2
LUMILEDS	1205 GEN 3	DS162	20161102	2213130-1/-2
LUMILEDS	1208 GEN 3	DS162	20161102	2213130-1/-2

THIS DRAWING IS A CONTROLLED DOCUMENT.		DWN M.V.ESSEN 28AUG2013	TE Connectivity	
DIMENSIONS: mm		CHK M.V.ESSEN 28AUG2013		
TOLERANCES UNLESS OTHERWISE SPECIFIED:		APVD O.I.FIJNSE 28AUG2013	NAME LUMAWISE Z50 LED HOLDER 2024	
0 PLC ±- 1 PLC ±- 2 PLC ±- 3 PLC ±- 4 PLC ±- ANGLES ±-		PRODUCT SPEC 108-133008	RESTRICTED TO	
MATERIAL		APPLICATION SPEC 114-32048	SIZE A3	CAGE CODE 00779
FINISH		WEIGHT -	DRAWING NO C-2213130	REV E
		CUSTOMER DRAWING	SCALE 3:1	SHEET 3 OF 3