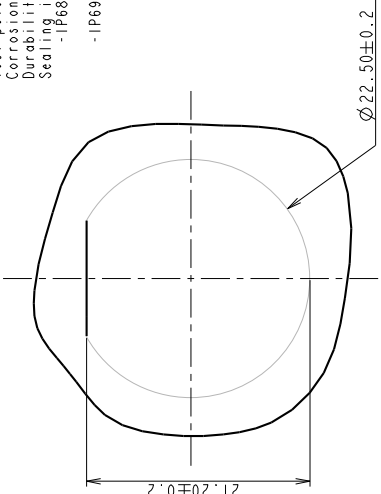


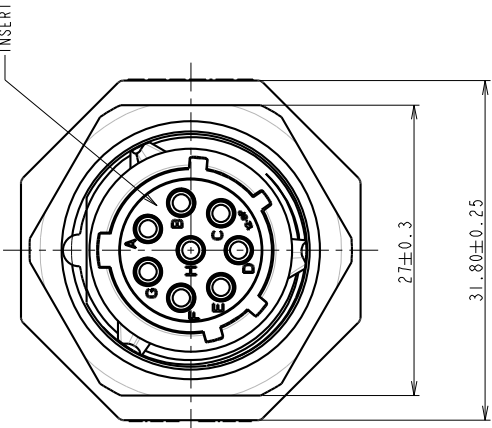
**MATERIAL :**  
 Shell: Polyamid UL94 V-0  
 Insert: Polyamid UL94 V-0  
 Seal gasket : Sealing IP68/69K : Silicone  
 O'ring: nitril  
 Nut: Aluminium alloy black anodized

**PERFORMANCE CHARACTERISTICS :**  
 Operating temperature: -40°C up to 105°C  
 Insulation resistance: 5000 MΩ2min  
 Test potential: 2000 Vrms for #16 layout  
 Corrosion salt spray: 500 hours  
 Durability: 250 matings and unmatings  
 Sealing in mated conditions:  
 - IP68 1 bar during 1 week : immersion under 10 m of water.  
 (IEC 60529)  
 - IP69K : exposure to high pressure water of cleaning  
 equipment (DIN 40050)

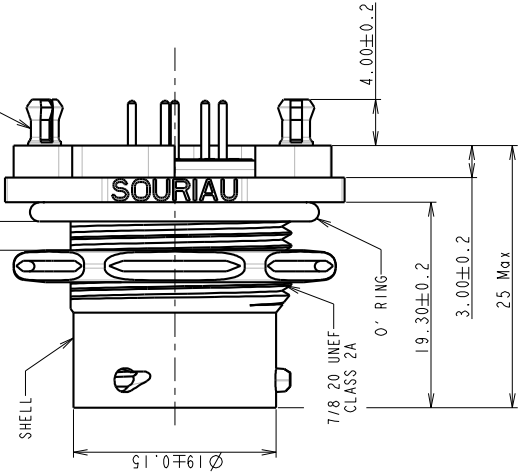
**PANEL CUT OUT**



**MATING FACE**

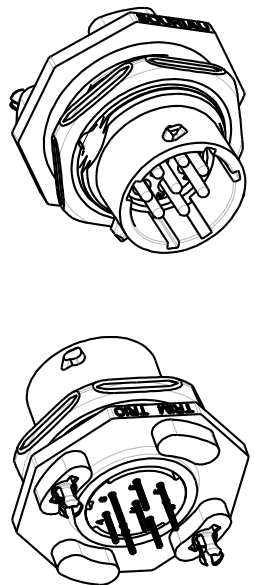
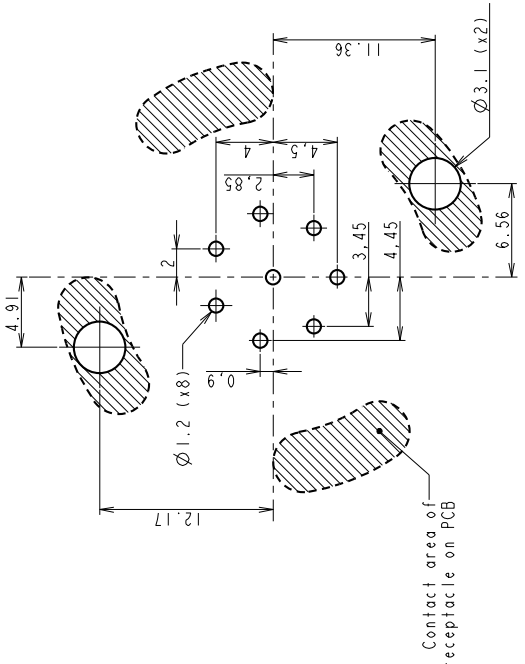


3.20 Max.  
 (Panel thickness)  
 SHELL  
 7/8 20 UNEF  
 CLASS 2A  
 O' RING  
 19.30±0.2  
 3.00±0.2  
 2.5 Max  
 4.00±0.2  
 Metal holds down clips



**MALE CONNECTOR**

**DRILLING PATTERN**



**P/N : UTS7128PSEK9**  
**CUSTOMER DRAWING**

B	28/03/07	---	Change dimensions of contact terminations and raising pin	---
ISS	DATE	---	Latest modification - by: ROULLARD Ch	MOD. N°
---	---	---	Designed by: SORIN V. Date: 26/09/06	Type of drawing: Customer
---	---	---	Checked by: SEE DISTRIBUTION LIST	Date: SEE DISTRIBUTION LIST
TITLE				
JAM NUT RECEPTACLE-12-8				
UTS CONNECTOR				
Scale	General angular	3/1	Tolerances: ±	MATERIAL: --
General linear		Tolerances: ±0.5		
General matching surface texture		Ra 3.2		
PROJECT		UTS		
Geometrical Tolerances		See NF E 04-552		
This document is the property of SOURIAU. It must not be reproduced or communicated without permission.				
SOURIAU		SOURIAU DRG N°		
FORMAT		A2		
PROJECT		C012-UTS1-A		
SHEET		1/1		

ECHELLE 4/1