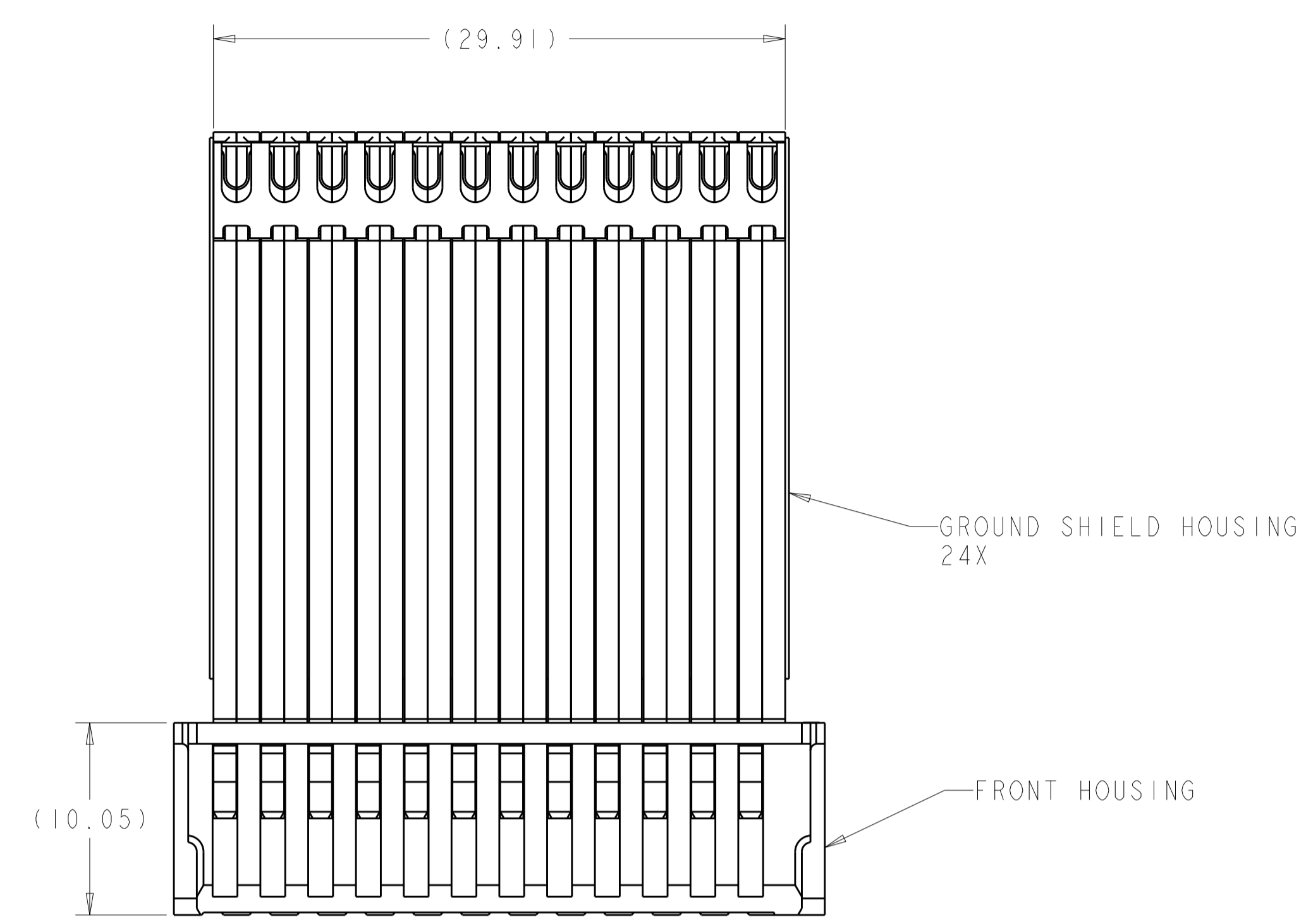
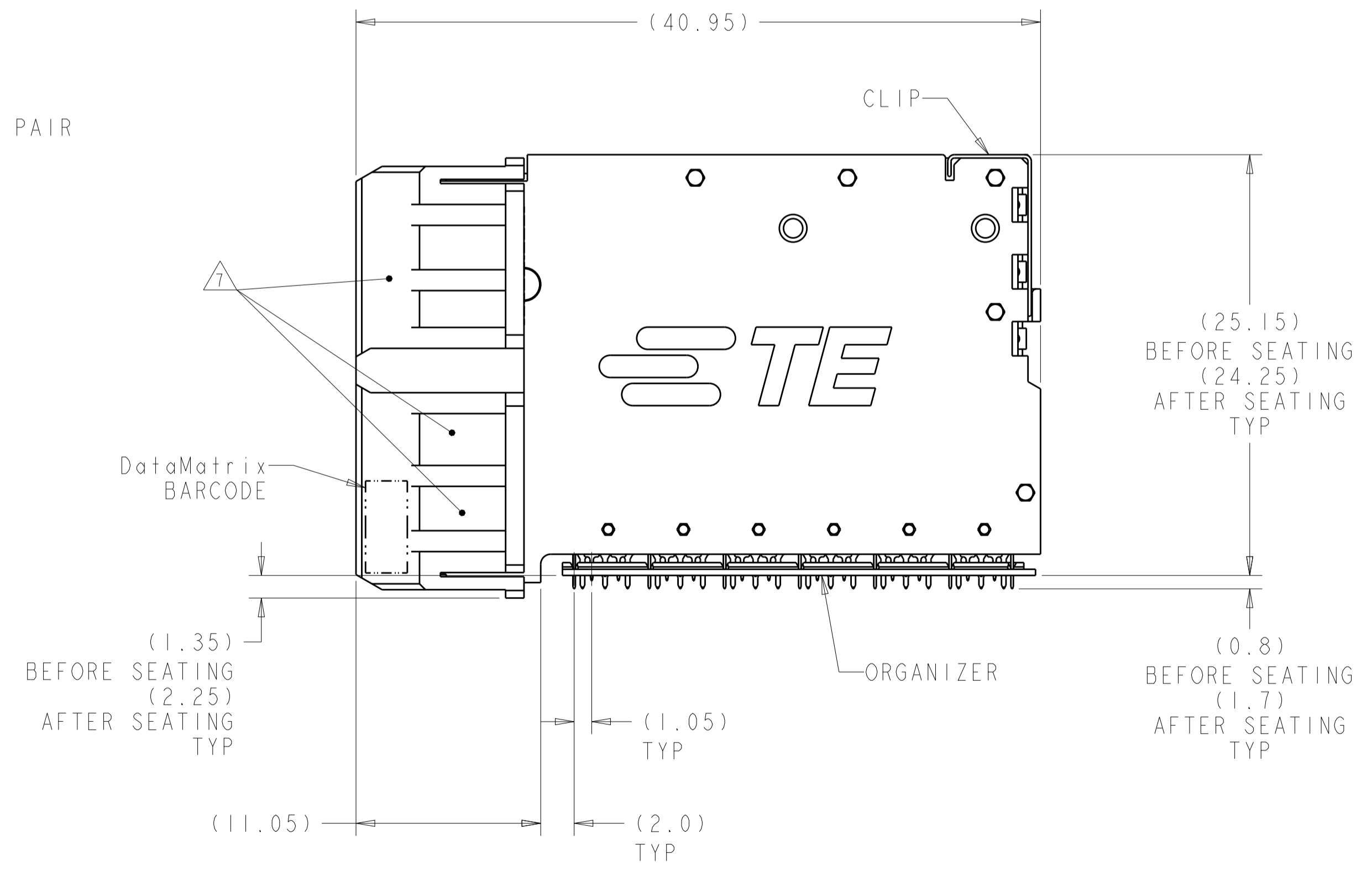
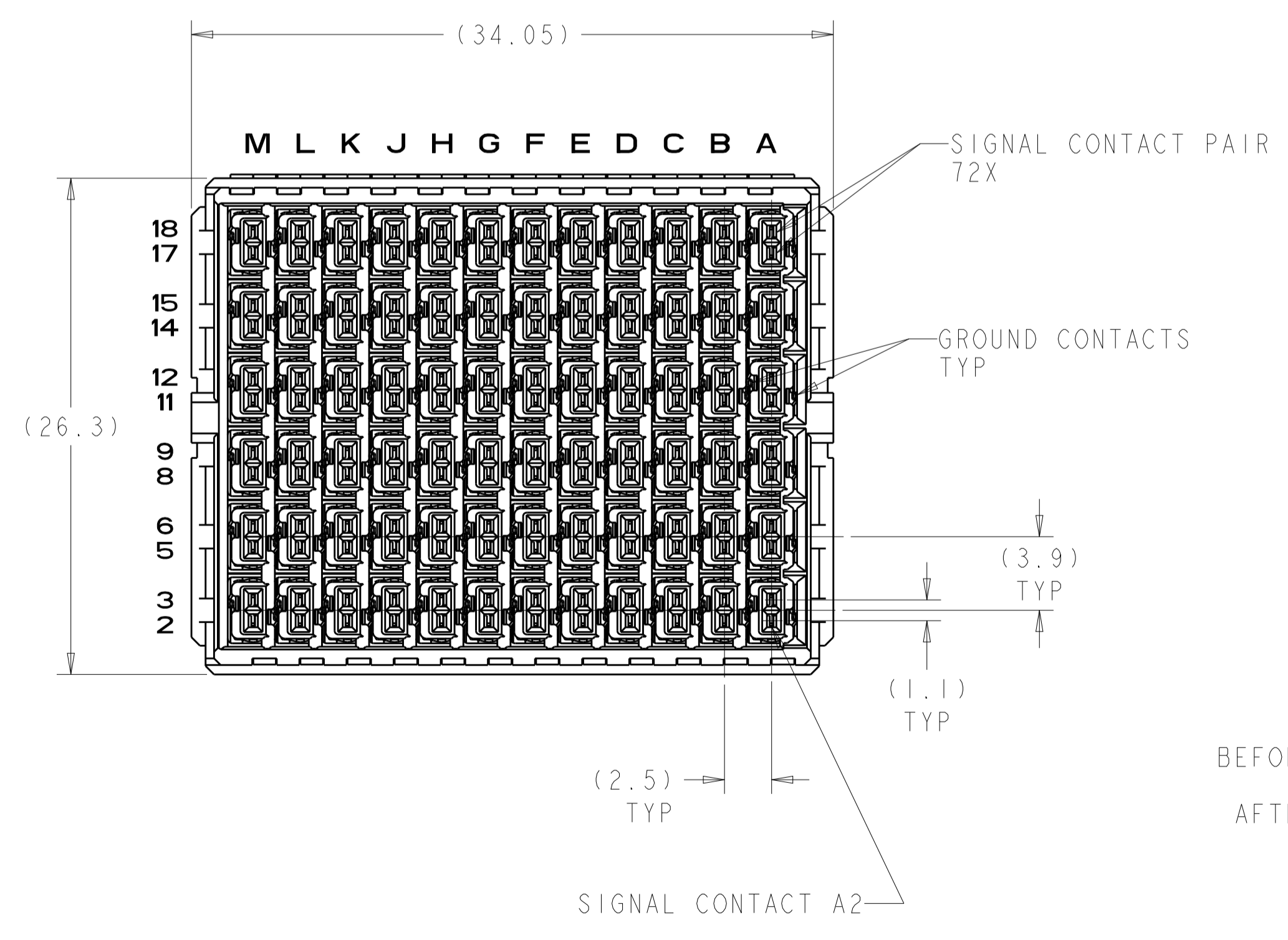


LOC	DIST	REVISIONS			
P	LTN	DESCRIPTION	DATE	DMN	APVD
GP	00				
7		REVISED	28 JUN 2012	JM	JM
8		REVISED	13 NOV 2013	RT	JM
9		REVISED	26 NOV 2013	RT	JM
10		ADD CLIP	28 MAR 2014	RT	JM



- 1 CONTACTS - COPPER ALLOY. CLIP - STAINLESS STEEL, HOUSINGS AND ORGANIZER - THERMOPLASTIC, UL 94V-0, BLACK.
- 2 CONFORMS TO REQUIREMENTS OF TE PRODUCT SPECIFICATION 108-32021, BASED ON TELCORDIA GR-1217-CORE FOR SYSTEM QUALITY LEVEL III APPLICATIONS IN CONTROLLED ENVIRONMENTS (CENTRAL OFFICE).
- 3 PLATED THRU HOLE REQUIREMENTS -GROUND AND S1:  
 FINISHED HOLE =  $\varnothing 0.37 \pm 0.05$   
 DRILLED HOLE =  $\varnothing 0.450 \pm 0.025$   
 COPPER THICKNESS = 0.025 MIN  
 IMMERSION TIN IF APPLICABLE = (0.00095)
- 4 PLATED THRU HOLE REQUIREMENTS -SIGNAL:  
 FINISHED HOLE =  $\varnothing 0.24 \pm 0.04$   
 DRILLED HOLE =  $\varnothing 0.320 \pm 0.025$   
 COPPER THICKNESS = 0.025 MIN  
 IMMERSION TIN IF APPLICABLE = (0.00095)
- 5 SIGNAL HOLES:  
 PLATED THRU HOLE DIMENSIONS APPLY TO THE TOP 1.00 MOUNTING SIDE OF PCB THICKNESS FROM THE CONNECTOR MOUNTING SIDE.  
 GROUND HOLES:  
 PLATED THRU HOLE DIMENSIONS APPLY TO THE TOP 1.25 MOUNTING SIDE OF PCB THICKNESS FROM THE CONNECTOR MOUNTING SIDE.
- 6 DATUMS AND BASIC DIMENSIONS ESTABLISHED BY CUSTOMER.
- 7 CONNECTOR MARKED ON EITHER SIDE OF HOUSING WITH PART NUMBER, DATE CODE, AND "100 OHM" IN APPROXIMATE AREA SHOWN.



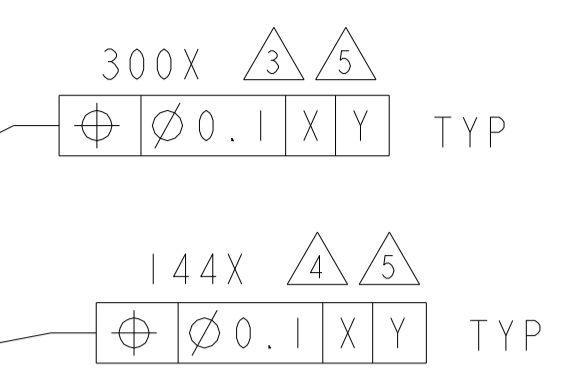
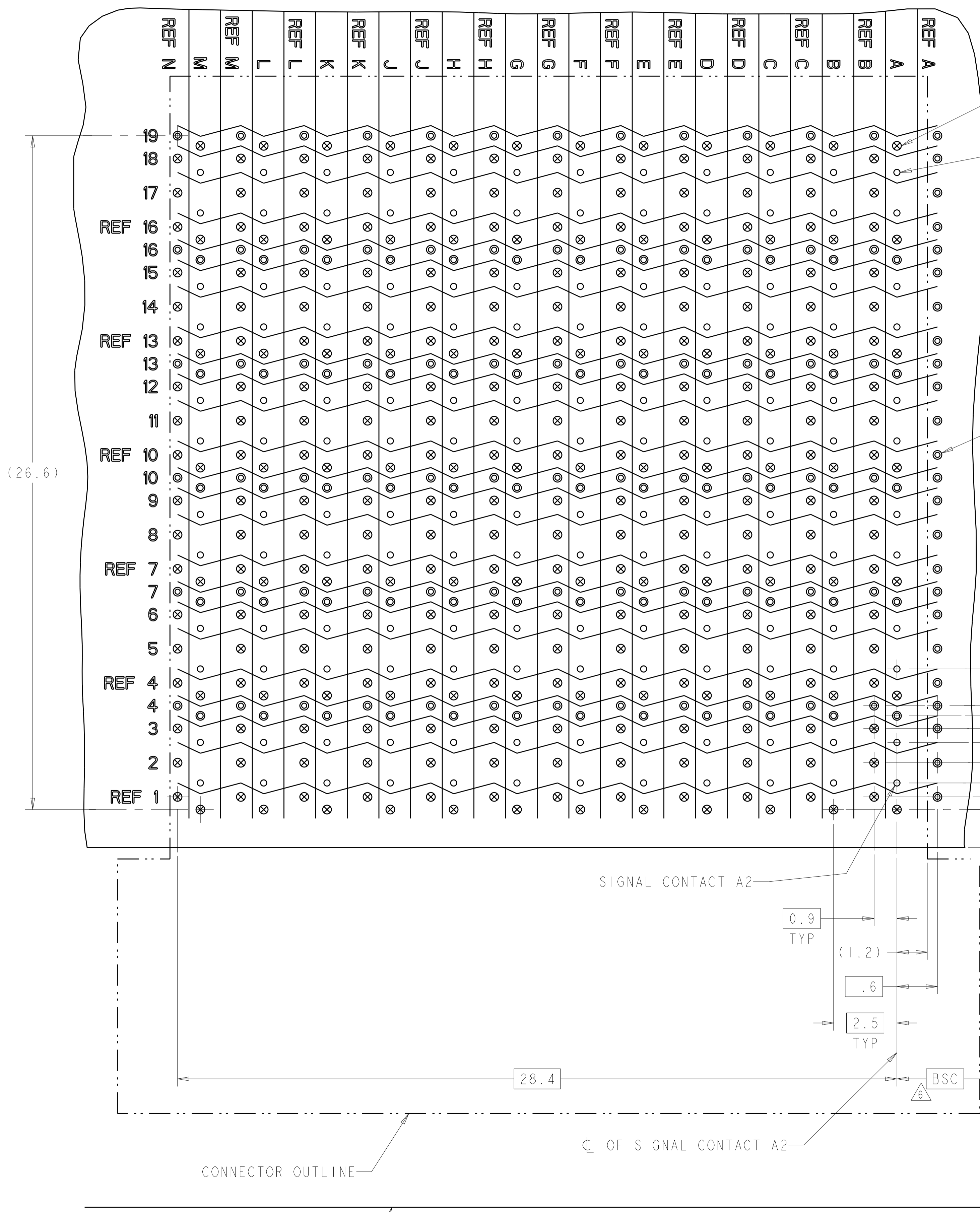
THIS PRODUCT HAS NOT COMPLETED VALIDATION TESTING

PRELIMINARY NOT RELEASED FOR PRODUCTION

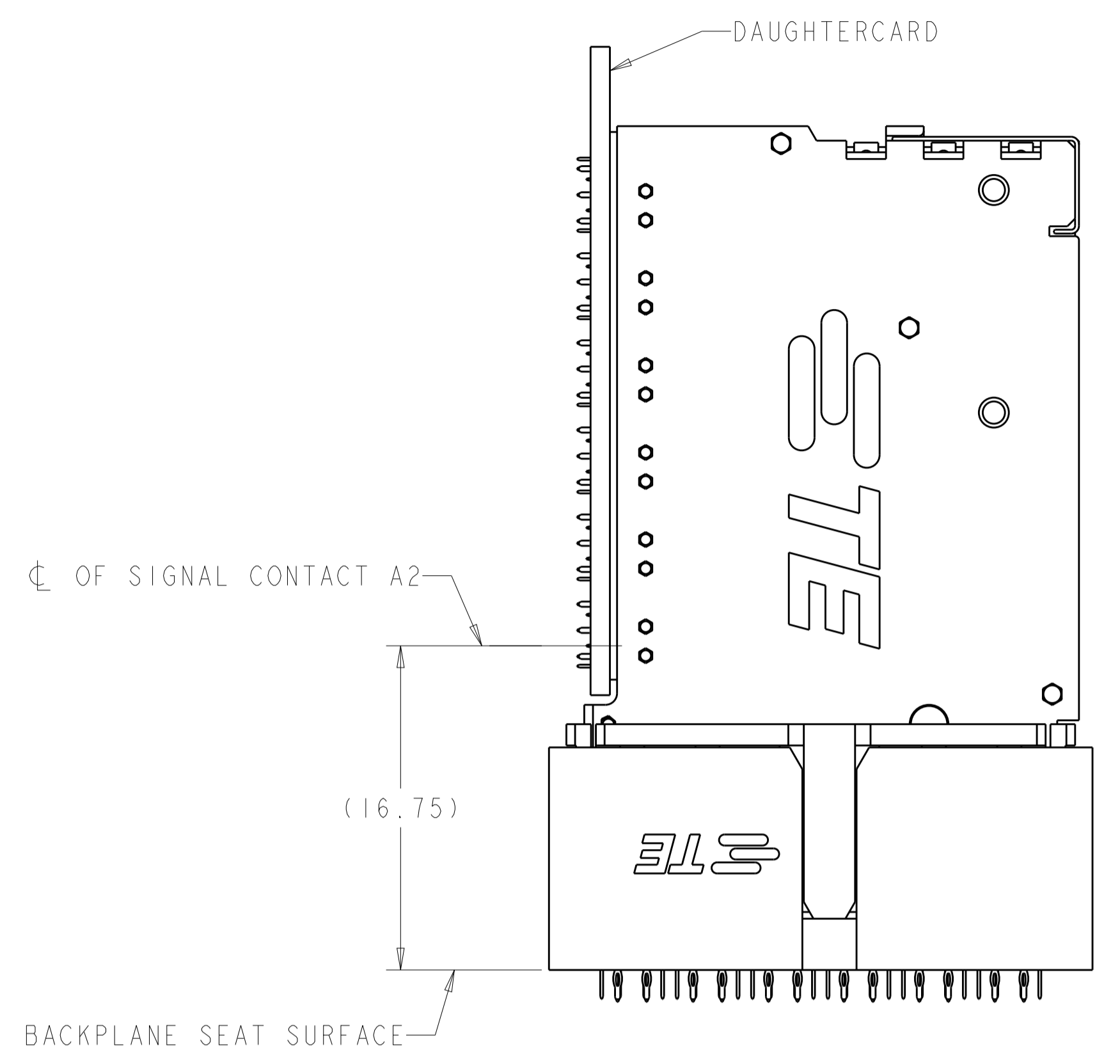
TIN	2198174-1
PRESS-FIT TAIL PLATING	PART NO

THIS DRAWING IS A CONTROLLED DOCUMENT.		DMN	J. McCLINTON	2 AUG 2011
DIMENSIONS:		CHK	J. McCLELLAN	2 AUG 2011
mm	0 PLC ±	APVD	J. McCLELLAN	2 AUG 2011
	1 PLC ±0.20	NAME		
	2 PLC ±	RECEPTACLE ASSEMBLY, RIGHT ANGLE,		
	3 PLC ±	6 PAIR 12 COLUMN,		
	4 PLC ±	100 OHM P/C, STRADA WHISPER		
	ANGLES ±	PRODUCT SPEC	2	
	FINISH	APPLICATION SPEC		
MATERIAL		114-32029	SIZE	A1
		WEIGHT	CAGE CODE	00779
		CUSTOMER DRAWING	DRAWING NO	2198174
		SCALE	4:1	SHEET 1 OF 2
		REV	10	

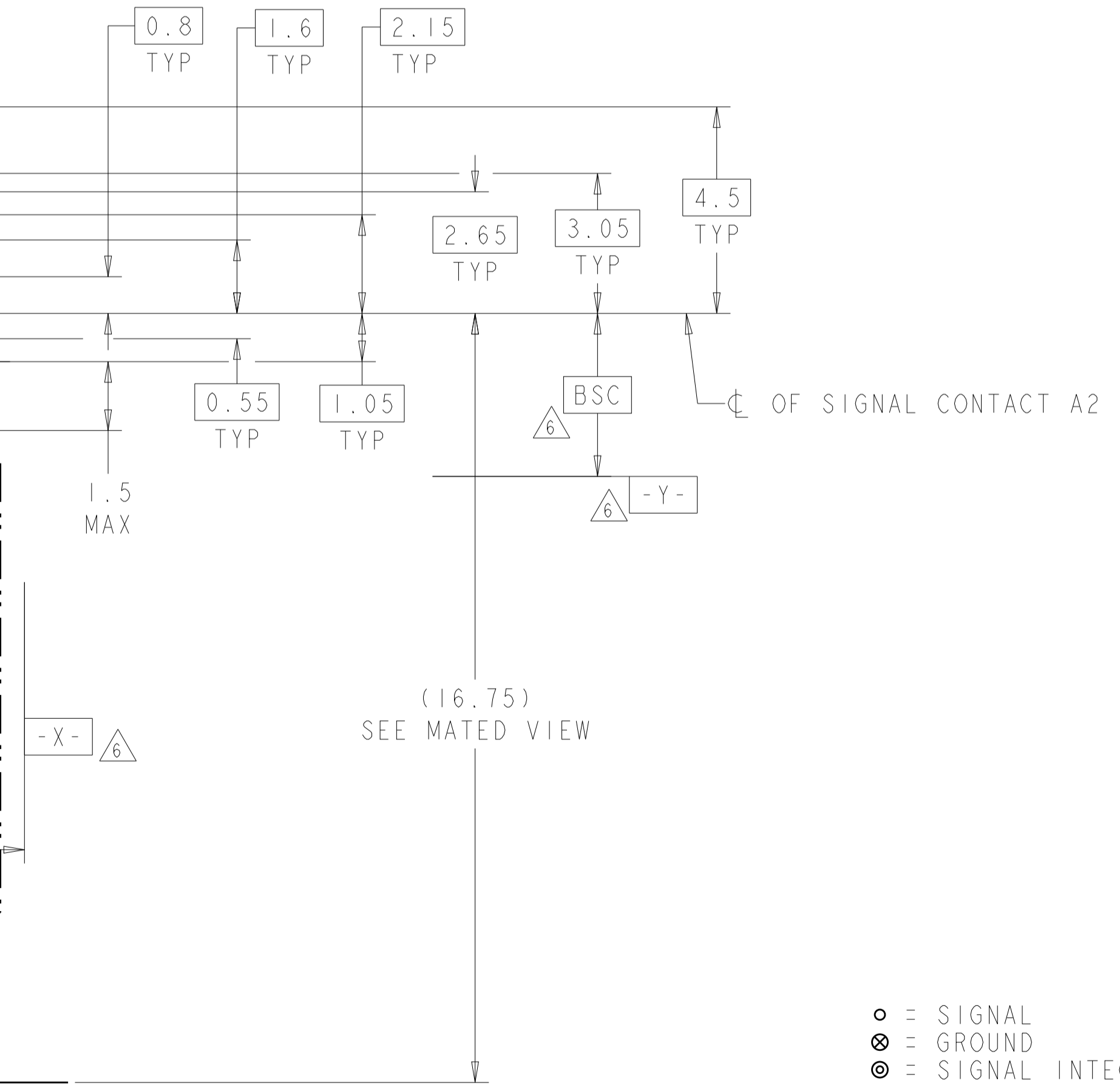
LOC	DIST	REVISIONS					
GP	00	P	LTN	DESCRIPTION	DATE	DMN	APVD
		-		SEE SHEET 1			



SI VIAS ARE NOT USED FOR CONTACT INSERTION



MATED VIEW



- = SIGNAL
- ⊗ = GROUND
- ⊙ = SIGNAL INTEGRITY VIA TO GROUND

PCB LAYOUT  
COMPONENT SIDE  
SCALE 10:1

**THIS PRODUCT  
HAS NOT COMPLETED  
VALIDATION TESTING**

**PRELIMINARY  
NOT RELEASED FOR PRODUCTION**

THIS DRAWING IS A CONTROLLED DOCUMENT.		DMN J. McCLINTON	2AUG2011	TE Connectivity
DIMENSIONS:		CHK J. McCLELLAN	12AUG2011	
mm	TOLERANCES UNLESS OTHERWISE SPECIFIED:	APVD J. McCLELLAN	12AUG2011	NAME RECEPTACLE ASSEMBLY, RIGHT ANGLE, 6 PAIR 12 COLUMN, 100 OHM PIC, STRADA WHISPER
	0 PLC ± 2 PLC ±0.20 3 PLC ± 4 PLC ± ANGLES ±	PRODUCT SPEC	APPLICATION SPEC	SIZE A1
MATERIAL	FINISH	WEIGHT	CAGE CODE C=2198174	RESTRICTED TO
CUSTOMER DRAWING		SCALE 4:1	SHEET 2 OF 2	REV 10