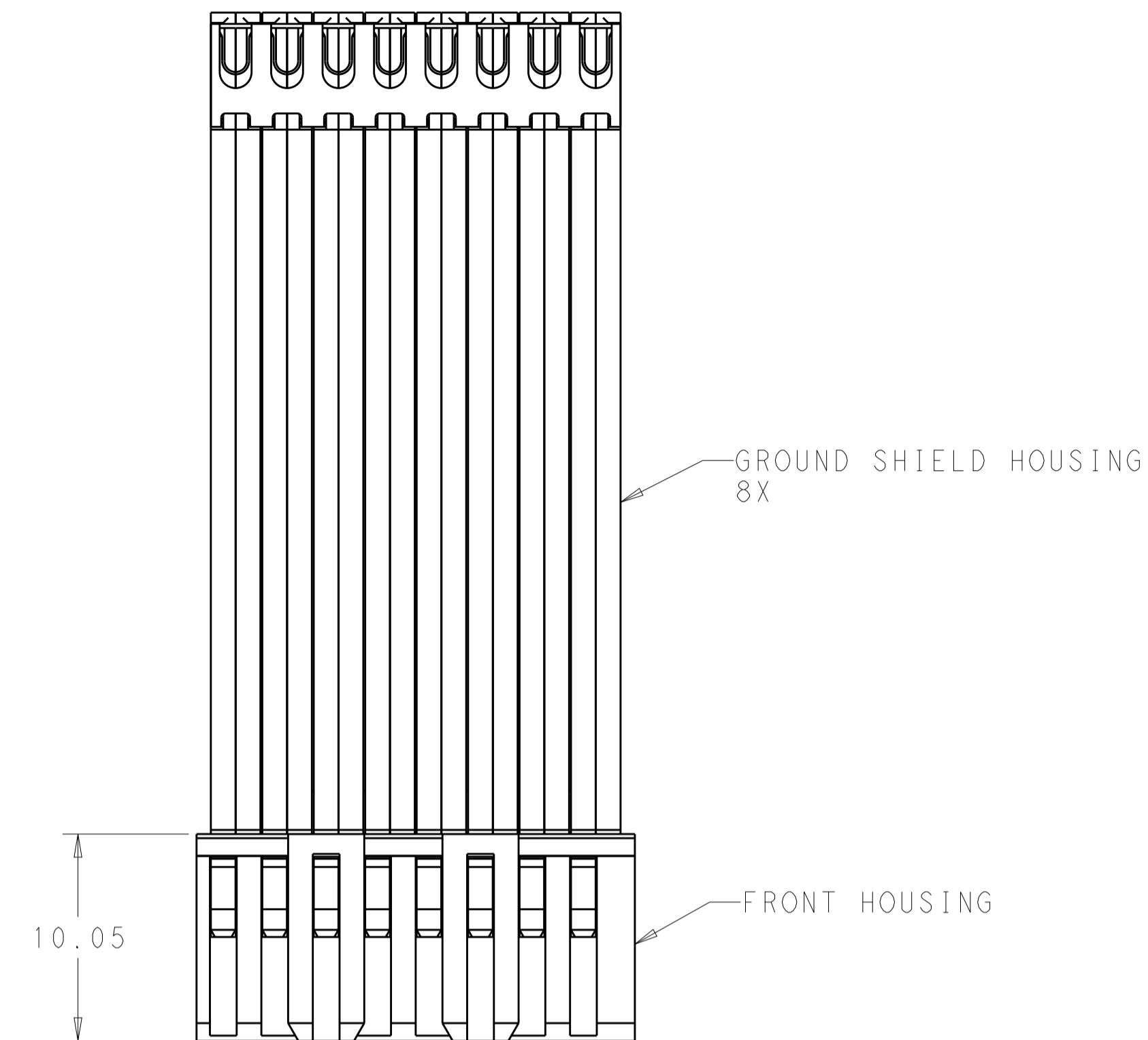
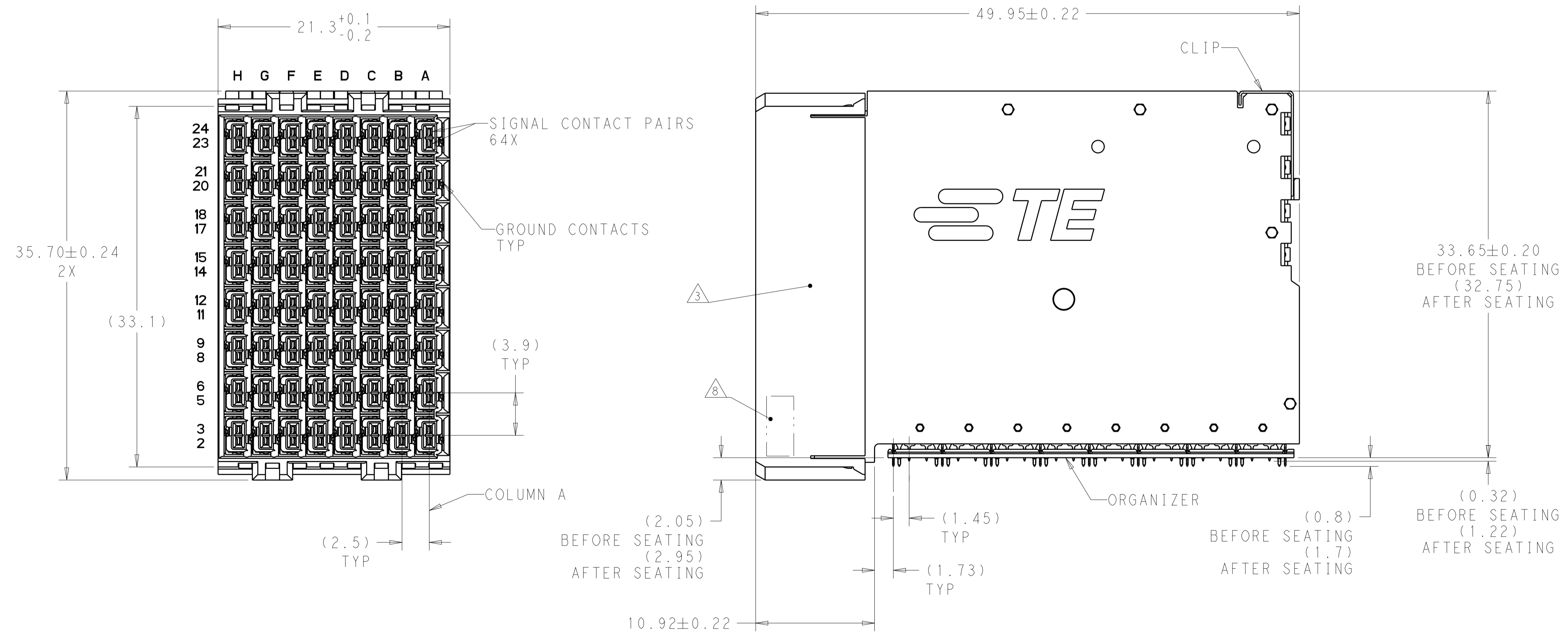


LOC	DIST	REVISIONS			
P	LTN	DESCRIPTION	DATE	DMN	APVD
A		RELEASED	09MAY2016	Y.K	D.T
B		REVISED PER ECR-16-017113	08DEC2016	JM	DT



- 1 CONTACTS - COPPER ALLOY. CLIP - STAINLESS STEEL. HOUSING AND ORGANIZER - THERMOPLASTIC, UL94 V-0, BLACK.
- 2 CONFORMS TO REQUIREMENTS OF TE PRODUCT SPECIFICATION 108-32112, BASED ON TELCORDIA GR-1217-CORE FOR SYSTEM QUALITY LEVEL III APPLICATIONS IN CONTROLLED ENVIRONMENTS (CENTRAL OFFICE).
- 3 CONNECTOR MARKED ON EITHER SIDE OF HOUSING WITH PART NUMBER, DATE CODE, AND '85 OHM' IN APPROXIMATE AREA SHOWN.
- 4 PLATED THRU HOLE REQUIREMENTS:
 FINISHED HOLE = $\varnothing 0.360 \pm 0.050$
 DRILLED HOLE = $\varnothing 0.450 \pm 0.025$
 COPPER THICKNESS = 0.025 MINIMUM
 IMMERSION TIN IF APPLICABLE = 0.0006-0.0011
- 5 PLATED THRU HOLE REQUIREMENTS:
 FINISHED HOLE = $\varnothing 0.270 \pm 0.050$
 DRILLED HOLE = $\varnothing 0.370 \pm 0.025$
 COPPER THICKNESS = 0.025 MINIMUM
 IMMERSION TIN IF APPLICABLE = 0.0006-0.0011
- 6 SIGNAL HOLES:
 PLATED THRU HOLE DIMENSIONS APPLY TO THE TOP 1.00 OF THE PCB THICKNESS FROM THE CONNECTOR MOUNTING SIDE.
 GROUND HOLES:
 PLATED THRU HOLE DIMENSIONS APPLY TO THE TOP 1.25 OF THE PCB THICKNESS FROM THE CONNECTOR MOUNTING SIDE.
- 7 DATUMS AND BASIC DIMENSIONS ESTABLISHED BY CUSTOMER.
- 8 DATAMATRIX BARCODE MARKING IN THIS AREA.



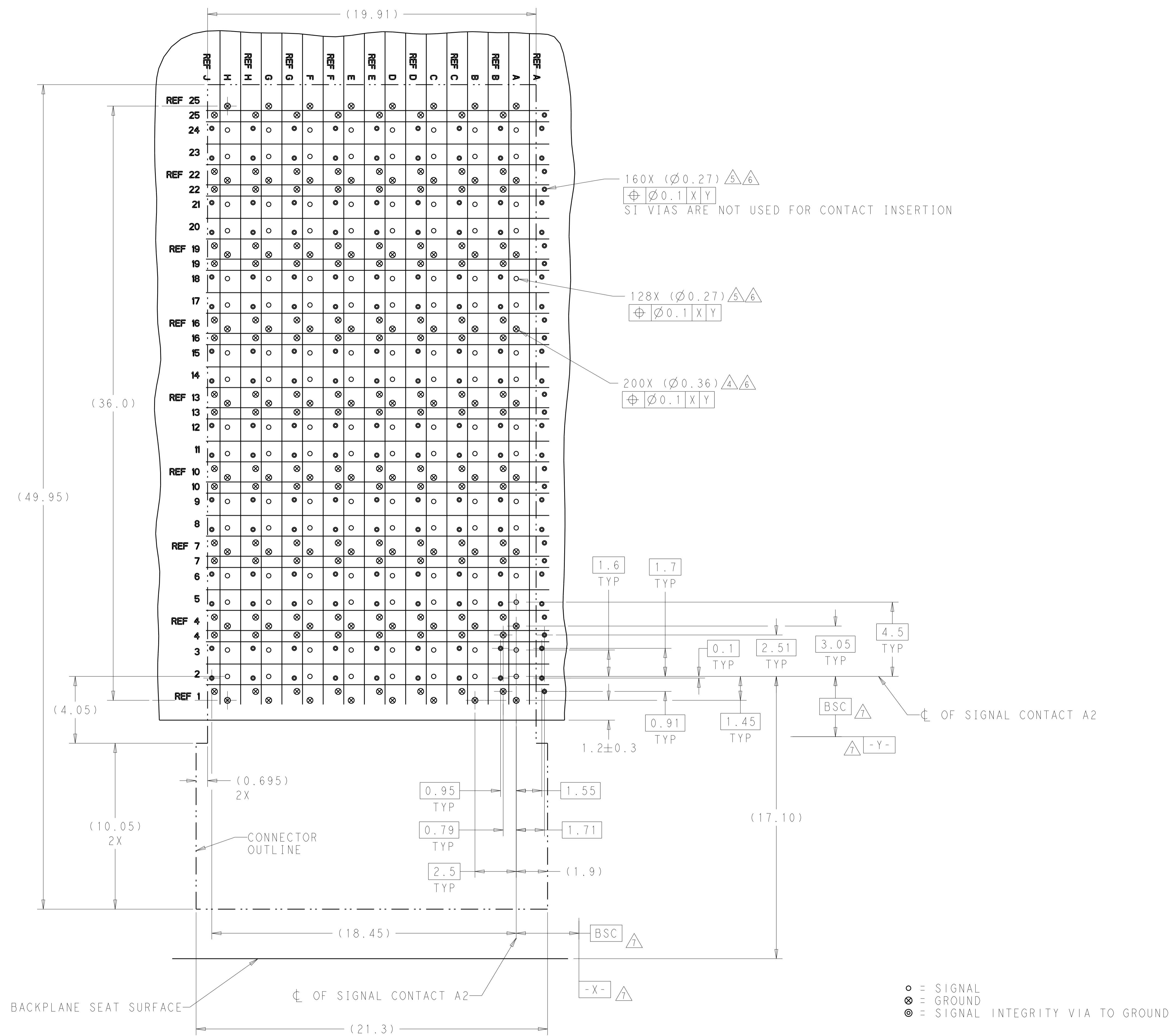
TIN	2274730-1
PRESS FIT TAIL PLATING	PART NO

THIS DRAWING IS A CONTROLLED DOCUMENT.

DIMENSIONS:	TOLERANCES UNLESS OTHERWISE SPECIFIED:	OWN: Y. KODAIRA 09MAY2016	CHK: D. TROUT 09MAY2016	APVD: D. TROUT 09MAY2016	NAME: D. TROUT 09MAY2016
mm	0 PLC ± 1 PLC ± 2 PLC ±0.12 3 PLC ± 4 PLC ±	PRODUCT SPEC	APPLICATION SPEC	SIZE	CAGE CODE
MATERIAL	FINISH SEE TABLE	WEIGHT	A100779	C=2274730	RESTRICTED TO
CUSTOMER DRAWING		SCALE	4:1	SHEET	1 OF 2

PRELIMINARY RECEPTACLE ASSEMBLY, RIGHT ANGLE, 8 PAIR 8 COLUMN, 85 OHM PiC, STRADA WHISPER

LOC	DIST	REVISIONS					
GP	00	P.	LTN	DESCRIPTION	DATE	DWN	APVD
		-	-	SEE SHEET 1			



○ = SIGNAL
 ⊗ = GROUND
 ⊙ = SIGNAL INTEGRITY VIA TO GROUND

PCB LAYOUT
 COMPONENT SIDE
 SCALE 8:1

THIS DRAWING IS A CONTROLLED DOCUMENT.		DWN	STE TE Connectivity	
DIMENSIONS:		CHK	NAME	
mm	TOLERANCES UNLESS OTHERWISE SPECIFIED:	APVD	RECEPTACLE ASSEMBLY, RIGHT ANGLE, 8 PAIR 8 COLUMN, 85 OHM PiC, STRADA WHISPER	
	0 PLC ±	PRODUCT SPEC	SIZE CAGE CODE DRAWING NO RESTRICTED TO	
	1 PLC ±0.12	APPLICATION SPEC	A100779C=2274730	
	2 PLC ±	WEIGHT	SCALE NTS SHEET 2 OF 2 REV B	
	3 PLC ±	CUSTOMER DRAWING		
	4 PLC ±			
	ANGLES ±			
MATERIAL	FINISH SEE TABLE			