

THIS DRAWING IS UNPUBLISHED.

RELEASED FOR PUBLICATION

20

© COPYRIGHT 20 BY -

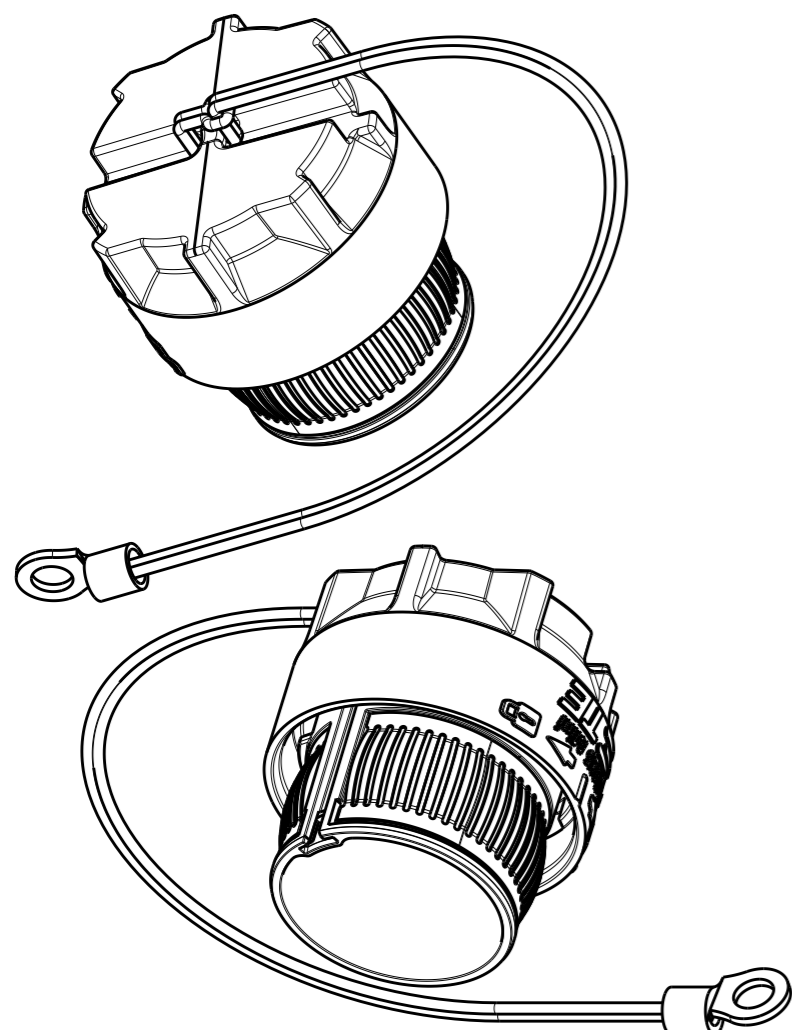
ALL RIGHTS RESERVED.

REVISIONS

P	LTR	DESCRIPTION	DATE	DWN	APVD
	2	INITIAL ISSUE	21APR2015	RC	SB

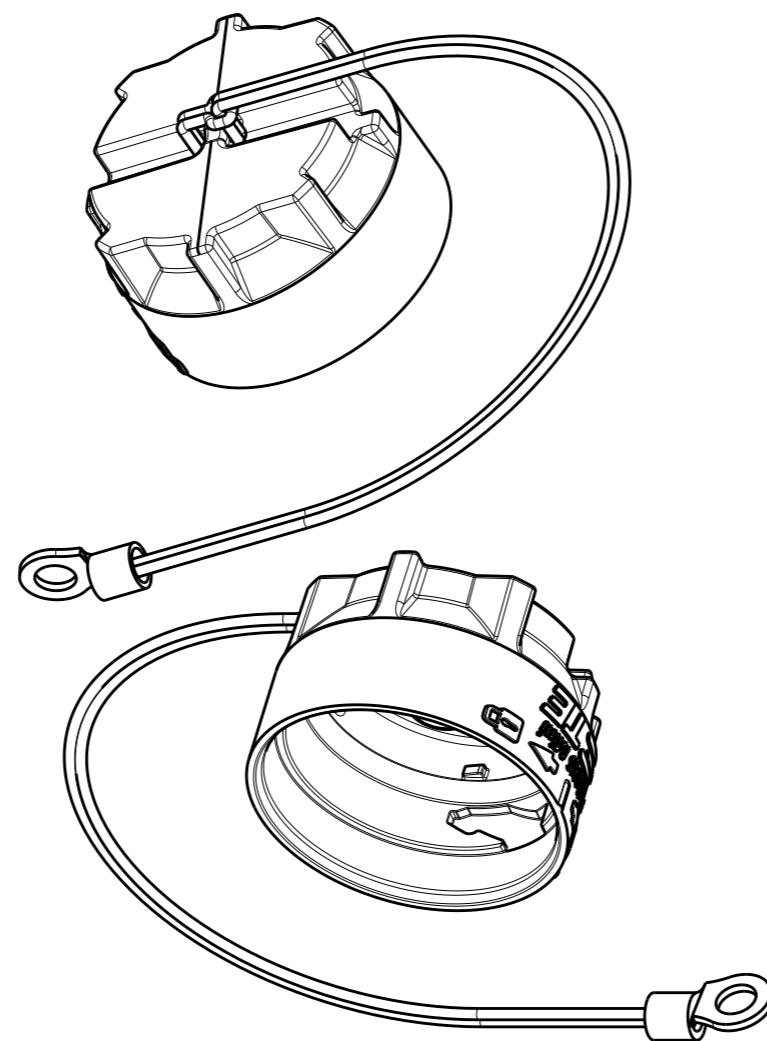
2061953-1 AS SHOWN

ASSEMBLED FULLAXS MINI BULKHEAD CAP WITH EMI SHIELD



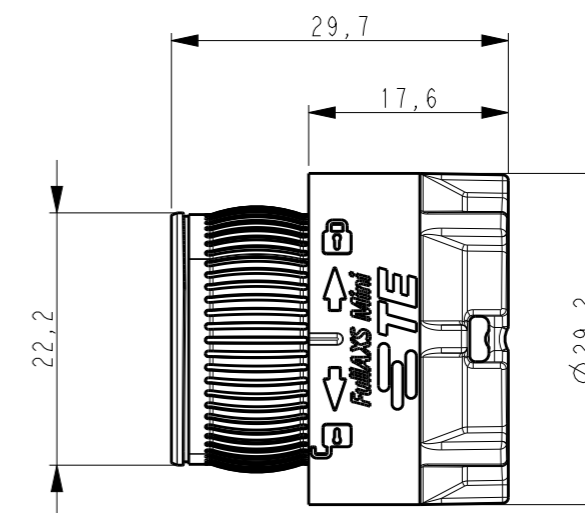
2061953-2 AS SHOWN

ASSEMBLED FULLAXS MINI BULKHEAD CAP



**PRELIMINARY PART
NOT RELEASED FOR PRODUCTION**

**THIS PRODUCT HAS NOT COMPLETED
VALIDATION TESTING**



NOTES:

- PACKAGING:
 - QTY TBD BULKHEADS PLACED INTO A ESD BAG OR TRAY, SEE NOTE 3
 - QTY TBD BAGS OR TRAYS PLACED INTO A SHIPPING BOX, SEE NOTE 3
- INFORMATION ON PACKAGING LABEL:
 - BARCODE
 - UNIQUE TE SERIAL NUMBER
 - TE CONNECTIVITY PART NUMBER & ORDER NUMBER
- FINAL PACKING METHOD AND QUANTITIES STILL TO BE DETERMINED

THIS DRAWING IS A CONTROLLED DOCUMENT.

DIMENSIONS:	TOLERANCES UNLESS OTHERWISE SPECIFIED:
mm	
	0 PLC ±0,2
	1 PLC ±0,1
	2 PLC ±0,05
	3 PLC ±0,025
	4 PLC ±0,005
	ANGLES ±2°
MATERIAL	FINISH
-	-
-	-

DWN	24MAR2015
CHK	R. COOLEN
APVD	B. MOOIJ
	S. BORGAS
PRODUCT SPEC	-
APPLICATION SPEC	-
WEIGHT	-
Customer Drawing	

<p>PRELIMINARY</p> <p>FULLAXS MINI BULKHEAD CAP</p>				RESTRICTED TO
				-
SIZE	CAGE CODE	DRAWING NO		
A3	-	©-2061953		
SCALE	SHEET	OF	REV	
3:2	1	1	A	