

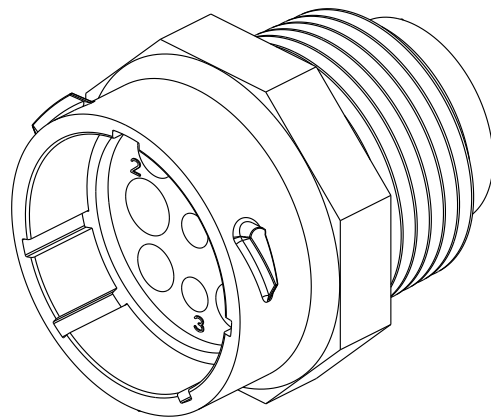
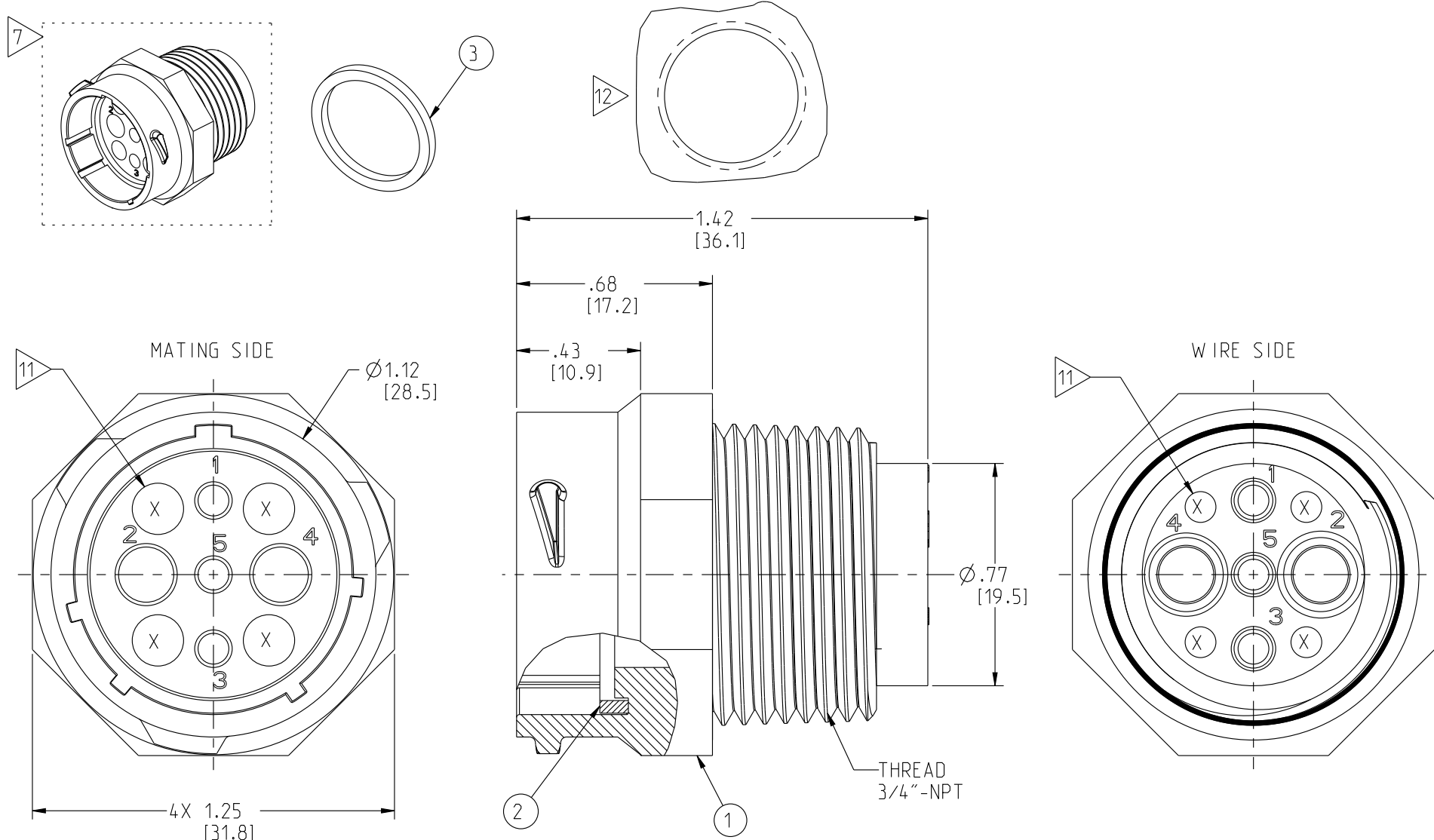
DWG. NO. S99614		BILL OF MATERIAL	
ITEM	PART NO.	DESCRIPTION	QTY.
1	UTS718A2M3PNPT1	UTS RECEPTACLE	1
2	UT018SEAL68S	SEAL	1
3	23-003110	WASHER, RUBBER	1

CIRCUIT	MAXIMUM CURRENT (AMP)	MAXIMUM WIRE Ø (mm)
2,4	44	6.3
1,3,5	13	3.3

- NOTES:
- MATES WITH UTS6\_\_18X2M3S.
  - CIRCUITS 2 & 4 USE 3.6mm PIN CONTACTS ORDERED SEPARATELY. SEE SOURIAU BSD 202333001 FOR CONTACT OPTIONS.
  - CIRCUITS 1, 3, AND 5 USE 1.6mm PIN CONTACTS ORDERED SEPARATELY. SEE SOURIAU SD61512 FOR 1.6mm CONTACT OPTIONS.
  - MATERIALS: ALL ROHS COMPLIANT
  - RECEPTACLE SHELL: POLYAMIDE UL94V0, COLOR-BLACK.
  - MECHANICAL / ENVIRONMENTAL PERFORMANCE
    - OPERATING TEMPERATURE: -40° TO +105°C.
    - CORROSION: SALT SPRAY, 500 HOURS.
    - DURABILITY: 250 MATE-UNMATE CYCLES.
    - VIBRATION: SINUSOIDAL PER CEI 60512-4; 10-TO-2,000 Hz.
    - THERMAL SHOCK: 5 CYCLES X 30-MINUTES: -40° TO +105°C.
    - SEALING IN MATED CONDITION: IEC 60529-IP68; 10M WATER, 1-WEEK; DYNAMIC-IP69K: HIGH-PRESSURE WATER, DIN 40050.
  - ELECTRICAL PERFORMANCE:
    - DIELECTRIC WITHSTANDING VOLTAGE / INSULATION RESISTANCE 2200 VRMS MAX. BETWEEN CIRCUITS / 5000 M Ohm MIN. @ 500 VDC.
    - OPERATING VOLTAGE: 600 VAC MAX.
  - PACKAGING: SOURIAU LABEL ON BULK PACKAGE INCLUDES PART NO. & QTY. ITEM-3: RUBBER WASHER IS SOLD SEPARATELY.
  - UL 1977 RECOGNIZED
  - POWER CONTACT RESISTANCE: <= 0.9 Milli Ohm. SIGNAL CONTACT RESISTANCE <= 5 Milli Ohm.
  - U.S. PATENT 7,955,125.
  - MOLDING VOID CORES ARE INDICATED "X".
  - PANEL CUTOUT IF APPLICABLE: TAP DRILL 59/64 OR .922 IN (23.42mm) 3/4-NPT INTERNAL THREADS.
  - TYPICAL INSTALLATION: OUTLET BOX. RECOMMENDED TOOLS; 8 POINT 1 1/4 SOCKET: MAX. TORQUE 66 IN-LBS.

THIS DRAWING IS A CONTROLLED DOCUMENT FOR SOURIAU USA, INC. IT IS SUBJECT TO CHANGE WITHOUT NOTIFICATION. CONTACT THE DOCUMENT CONTROL CENTER FOR THE LATEST REVISION.

THE INFORMATION CONTAINED IN THIS DRAWING IS CONFIDENTIAL AND MAY NOT BE DISCLOSED WITHOUT WRITTEN CONSENT FROM SOURIAU USA, INC.



SCALE 3:2

Client Drawing Approval	
X	Option
	Approved with no Exceptions
	Approved with Exceptions Noted
	Revision/Resubmission Required
	Rejected
The signature above indicates the client's authorized representative has reviewed, understands, and concurs with the requirements defined herein. If no signature is provided, placement of a purchase order by the client is considered drawing acceptance.	

LINEAR MEASURE:	<b>INCH</b> [mm]
THIRD ANGLE PROJECTION	
TOLERANCES UNLESS OTHERWISE SPECIFIED	
No. OF PLACES	INCH [mm]
ONE PLACE	±.1 [±3]
TWO PLACES	±0.02 [±.5]
THREE PLACES	±0.010 [±.25]
ANGLES ±1°	

DRAWING TITLE	
<b>UTS RECEPTACLE, SIZE-18, PIN, NPT THREADS</b>	
CAT NO.	<b>UTS718X2M3P</b>
CAGE NO: 09922	SIZE: B
<b>CUSTOMER</b>	
INTERPRET THIS DRAWING IN ACCORDANCE WITH ASME Y14.5M - 1994.	<a href="http://www.souriau.com">www.souriau.com</a>
APPROVAL	DRAWN: RKO 03-15-11
	CHKD : NPP 03-15-11
	DSGN : NPP 03-15-11
	MFG : DH 03-15-11
	QC : BB 03-15-11
	DRAWING SCALE: 2:1
	DRAWING NO. REV
	S99614 B
	1 OF 1

B

A