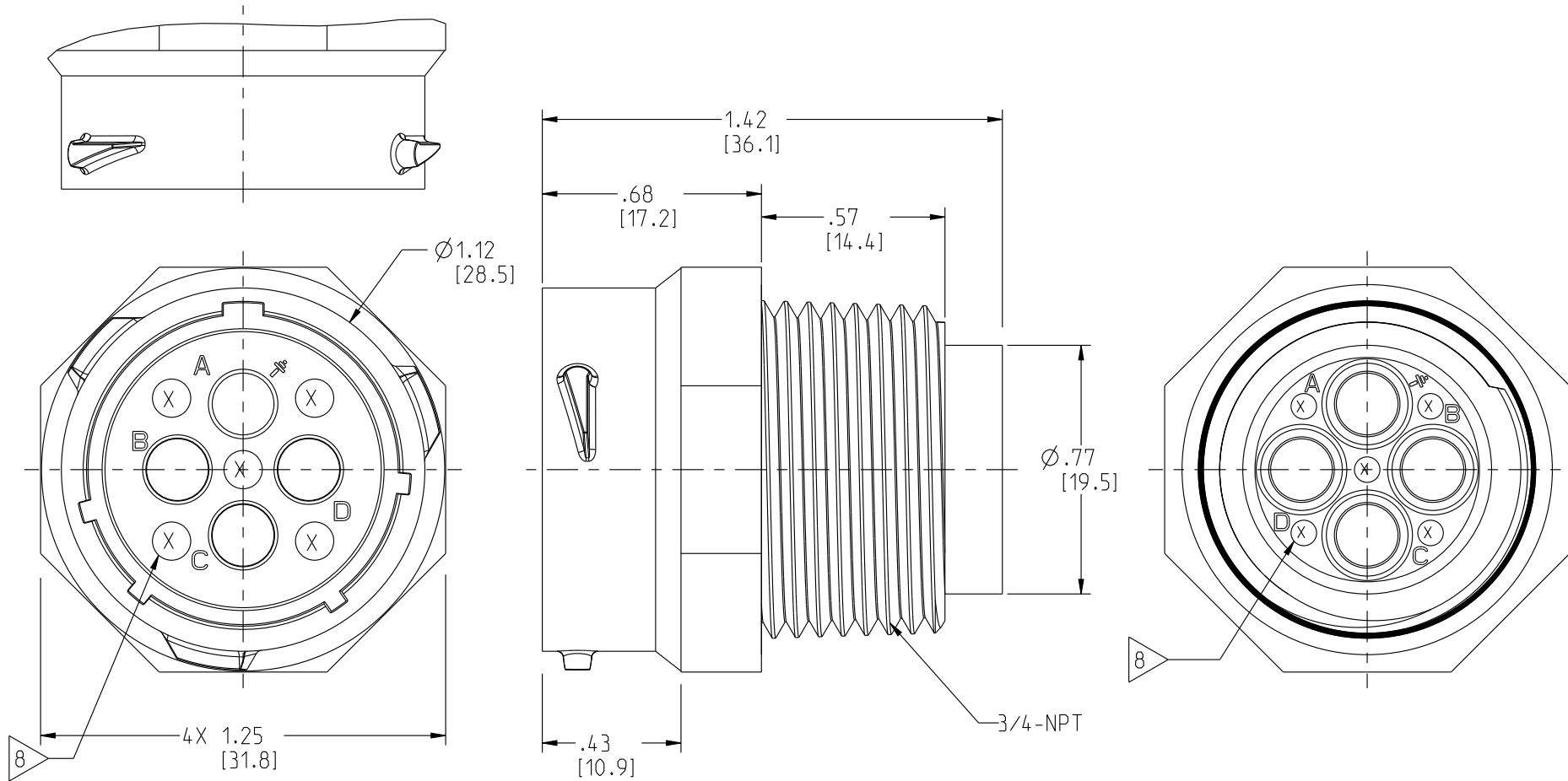


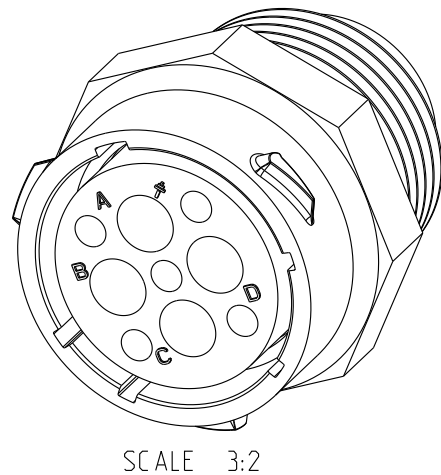
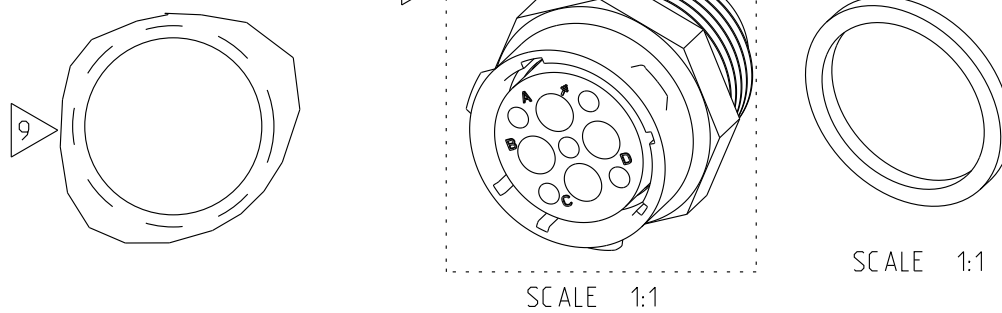
DWG. NO.  
S99455

THIS DRAWING IS A CONTROLLED DOCUMENT FOR SOURIAU USA, INC. IT IS SUBJECT TO CHANGE WITHOUT NOTIFICATION. CONTACT THE DOCUMENT CONTROL CENTER FOR THE LATEST REVISION.



NOTES:

1. MATES WITH UTS6\_ \_183G1P.
2. USES 1-TO-4 EA. SIZE-8 SOCKET (CONTACTS ORDERED SEPARATELY) CONTACT TYPE: 829116\_ : REFER TO SOURIAU BSD202333002.
3. MATERIALS:
  - 3.1 HOUSING: POLYAMIDE UL94V0, COLOR-BLACK.
  - 3.2 ALL MATERIALS ARE RoHS COMPLIANT.
4. MECHANICAL PERFORMANCE:
  - 4.1 OPERATING TEMPERATURE: -40°C TO +105°C.
  - 4.2 CORROSION: SALT SPRAY, 500 HOURS.
  - 4.3 DURABILITY: 250 MATE-UNMATE CYCLES.
  - 4.4 SEALING: WHEN MATED TO CABLE PLUG (NOTE-1):  
IEC 60529-IP68: 10m WATER, 1-WEEK;  
-IP69K: HIGH-PRESSURE WATER, DIN 40050.
  - 4.5 TYPICAL INSTALLATION: OUTLET BOX.  
RECOMMENDED TOOLS: 8-POINT 1 1/4 SOCKET; MAX. TORQUE 66 in.-lb.
5. ELECTRICAL PERFORMANCE:
  - 5.1 DIELECTRIC WITHSTANDING VOLTAGE / INSULATION RESISTANCE.  
2200 Vrms MAX. BETWEEN CIRCUITS / 5000 MOhm MIN. @ 500 VDC.
  - 5.2 OPERATING VOLTAGE: 600 VAC MAX.
  - 5.3 CIRCUIT USE:  
B,C,D: 44 AMP MAX.  
A: GROUND: FIRST MATE LAST BREAK.
6. PACKAGING:  
RUBBER WASHER IS BULK-PACKAGED.  
LABEL INCLUDES SOURIAU P/N & QTY.
7. UL1977 RECOGNIZED.
8. MOLDING "VOID CORES" ARE INDICATED "X".
9. PANEL CUTOUT IF APPLICABLE: TAP DRILL 59/64 OR .922 INCH (23.42mm) 3/4-NPT INTERNAL THREAD.
10. UNITED STATES PATENT 7,955,125



THE INFORMATION CONTAINED IN THIS DRAWING IS CONFIDENTIAL AND MAY NOT BE DISCLOSED WITHOUT WRITTEN CONSENT FROM SOURIAU USA, INC.

Client Drawing Approval	
X	Option
	Authorized Signature & Date
	Approved with no Exceptions
	Approved with Exceptions Noted
	Revision/Resubmission Required
	Rejected
	Company Name
The signature above indicates the client's authorized representative has reviewed, understands, and concurs with the requirements defined herein. If no signature is provided, placement of a purchase order by the client is considered drawing acceptance.	

LINEAR MEASURE:	$\frac{\text{INCH}}{\text{mm}}$ INCH [mm]
	THIRD ANGLE PROJECTION
	TOLERANCES UNLESS OTHERWISE SPECIFIED
No. OF PLACES	INCH [mm]
ONE PLACE	$\pm .1$ [ $\pm 3$ ]
TWO PLACES	$\pm 0.02$ [ $\pm .5$ ]
THREE PLACES	$\pm 0.010$ [ $\pm .25$ ]
	ANGLES $\pm 1^\circ$

REV	DESCRIPTION	BY DATE	CHKD DATE
D	REVISED PER ECN 11721	RSK 05-16-12	NPP 05-16-12
C	REVISED PER ECN 11550	SSF 11-03-11	NPP 11-03-11
B	REVISED PER ECN 11483	RSK 08-11-11	NPP 08-11-11
A	RELEASED PER ECN 11441	SSF 5/23/2011	NPP 5/23/2011

DRAWING TITLE	
<b>UTS RECEPTACLE, SIZE-18, NPT-3/4</b>	
CAT NO.	<b>UTS7183G1SNPT</b>
CAGE NO: 09922	SIZE: B
<b>CUSTOMER</b>	
INTERPRET THIS DRAWING IN ACCORDANCE WITH ASME Y14.5M - 1994.	<a href="http://www.souriau.com">www.souriau.com</a>
APPROVAL	DRAWN: NP 4/19/10 CHKD : - - DSGN : NP 4/19/10 MFG : DH 4/19/10 QC : BB 4/19/10 DRAWING SCALE: 2:1 DRAWING NO. REV S99455 D
	1 OF 1