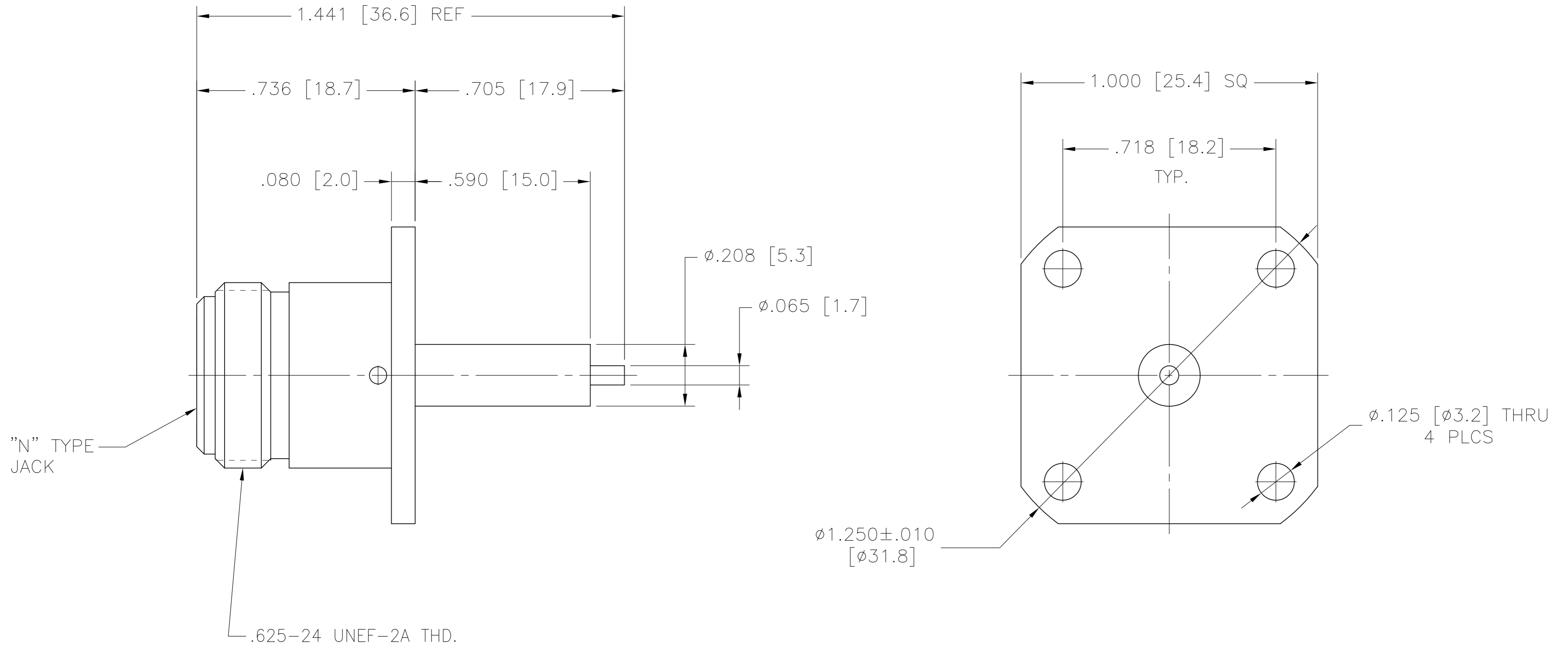


THIS DRAWING IS UNPUBLISHED. RELEASED FOR PUBLICATION  
 © COPYRIGHT - By - ALL RIGHTS RESERVED.

REVISIONS				
P	LTR	DESCRIPTION	DATE	APVD
B		PER ECO-15-000035	10JAN2015	RZ MY



1058644-1	HOUSING	STAINLESS STEEL PER ASTM-A484 AND ASTM-A582, TYPE 303	PASSIVATE PER QQ-P-35
	DIELECTRIC	PTFE FLUOROCARBON PER ASTM-D-1457	N/A
	CENTER CONTACT	BERYLLIUM COPPER PER ASTM-B-196 OR ASTM-B-197, ALLOY C17300, CONDITION H	GOLD PLATE PER MIL-G-45204
PART NUMBER	COMPONENT	MATERIAL	FINISH

NOTES:  
 1. CAPTURED CENTER CONTACT

.XXX = in  
 XX.X = mm (REF)

THIS DRAWING IS A CONTROLLED DOCUMENT.		DWN E.S. 12/6/77	<b>STE</b> TE Connectivity	
DIMENSIONS: INCHES		CHK KWW 12/21/77		
TOLERANCES UNLESS OTHERWISE SPECIFIED:		APVD BWC 12/23/77	NAME OSN STRAIGHT 4 HOLE FLANGE MOUNT HF JACK RECEPTACLE (3652-1201-02)	
0 PLC ± - 1 PLC ± - 2 PLC ± - 3 PLC ± .005 4 PLC ± - ANGLES ± 1°		PRODUCT SPEC -	SIZE A2	CAGE CODE 00779
MATERIAL -		FINISH -	DRAWING NO C=1058644	RESTRICTED TO -
		WEIGHT -	SCALE 4:1	SHEET 1 of 1
		CUSTOMER DRAWING	REV B	