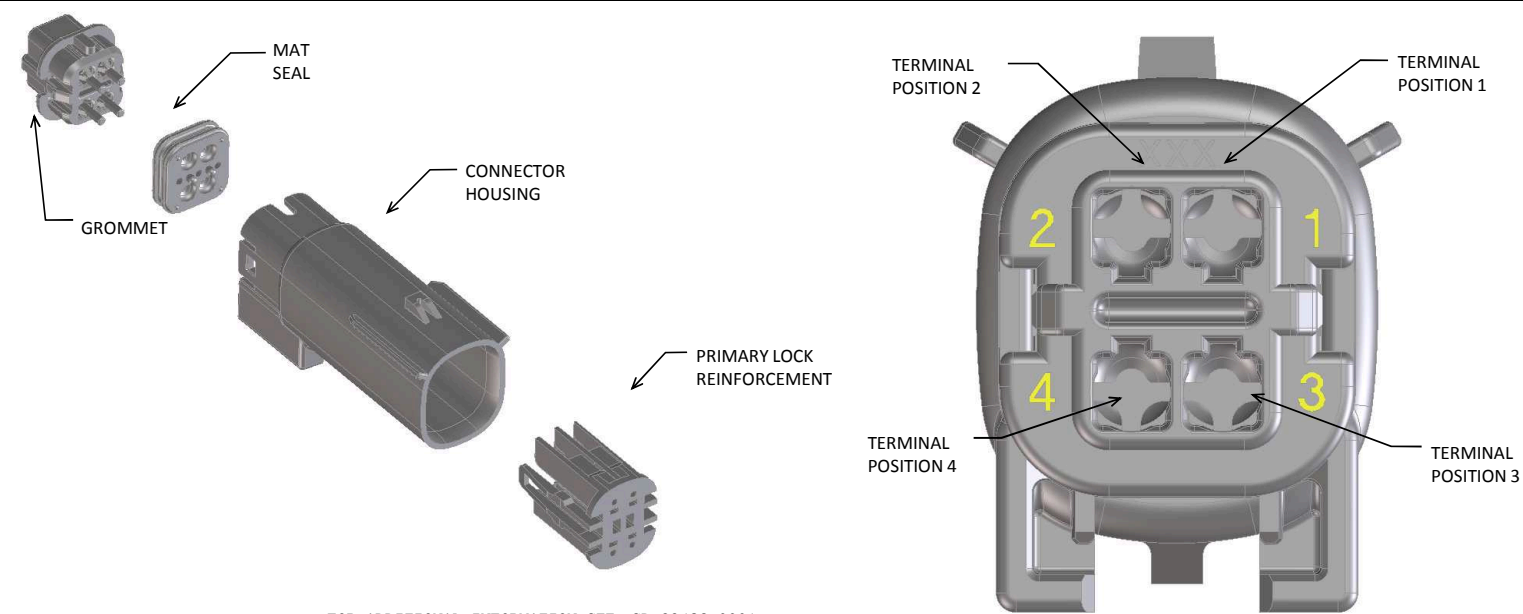


MX150 2X2 BLADE SEALED ASSEMBLY MAT SEAL
BOM AND PIN OUT SHEET

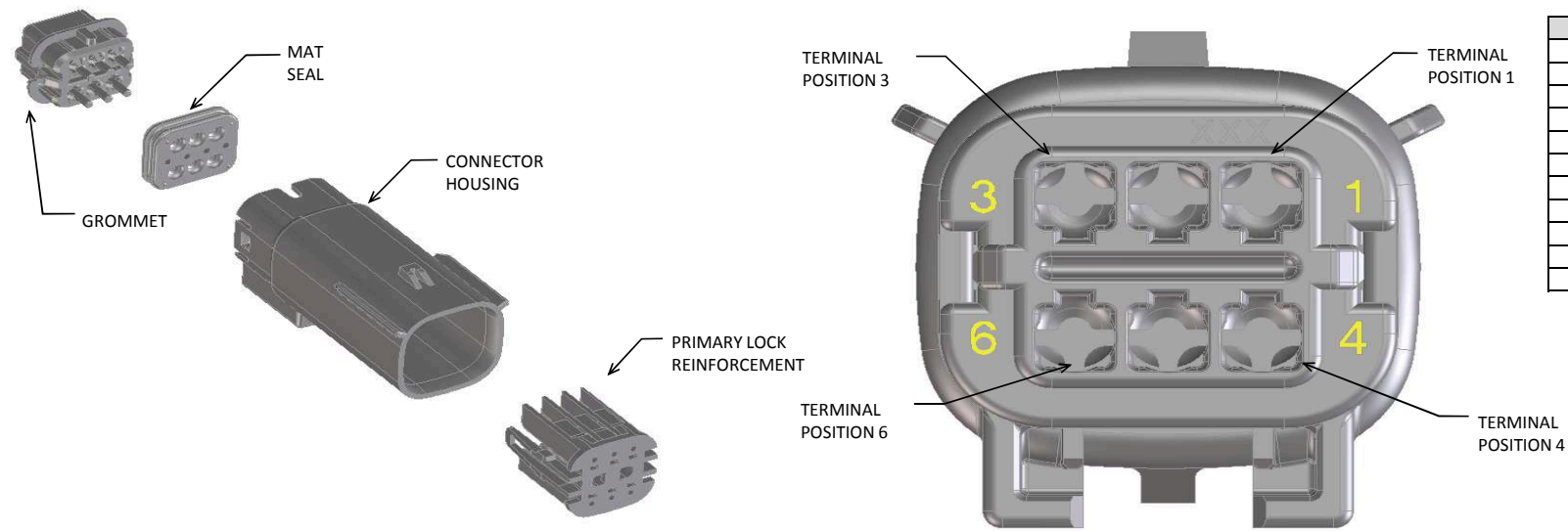


ABBREVIATION	DESCRIPTION	COLOR	MATERIAL
A-BLK	HOUSING, KEYING OPTION A	BLACK	SPS/NYLON GF20
B-LG	HOUSING, KEYING OPTION B	LIGHT GRAY	SPS/NYLON GF20
C-BR	HOUSING, KEYING OPTION C	BROWN	SPS/NYLON GF20
D-GR	HOUSING, KEYING OPTION D	GREEN	SPS/NYLON GF20
C-DG	HOUSING, KEYING OPTION C	DARK GRAY	SPS/NYLON GF20
D-SG	HOUSING, KEYING OPTION D	STONE GRAY	SPS/NYLON GF20
A-YW	HOUSING, KEYING OPTION A	YELLOW	SPS/NYLON GF20
GCP	GROMMET CAP (PLUGGED)	BLACK	SPS/NYLON GF20
GCO	GROMMET CAP (OPEN)	BLACK	SPS/NYLON GF20
PLR	PLR	NATURAL	SPS/NYLON GF20
M	MAT SEAL	ROYAL BLUE	INHERENTLY LUBRICATED SILICONE

FOR ADDITIONAL INFORMATION SEE SD-33482-0001

ASSEMBLY DESCRIPTION	ASSEMBLY PART NUMBER	COMPONENT				BLOCKED TERMINALS											STATUS	COMMENTS	OPTIONAL ATTACHMENTS SOLD SEPARATELY			
		THE PRESENCE OF AN ABBREVIATION INDICATES THE PRESENCE OF THAT COMPONENT.				CAVITY WITH A NUMBER INDICATES BLOCKED TERMINAL POSITION CAVITY WITHOUT A NUMBER INDICATES OPEN TERMINAL POSITION													BACKSHELL WITH RIBS	BACKSHELL WITHOUT RIBS		
		HOUSING KEY/COLOR	GROMMET CAP	PLR	MAT SEAL	1	2	3	4													
KEY A, BLACK	33482-4001	A-BLK	GCO	PLR	M															SALEABLE		
KEY B, LIGHT GRAY	33482-4002	B-LG	GCO	PLR	M															SALEABLE		
KEY C, BROWN	33482-4003	C-BR	GCO	PLR	M															NOT RECOMMENDED	SEE 33482-4103	
KEY D, GREEN	33482-4004	D-GR	GCO	PLR	M															NOT RECOMMENDED	SEE 33482-4104	
KEY A, BLACK	33482-4006	A-BLK	GCP	PLR	M		2													SALEABLE		
KEY B, LIGHT GRAY	33482-4007	B-LG	GCP	PLR	M		2													SALEABLE		
KEY C, BROWN	33482-4008	C-BR	GCP	PLR	M		2													NOT RECOMMENDED	SEE 33482-4105	
KEY D, GREEN	33482-4009	D-GR	GCP	PLR	M		2													NOT RECOMMENDED	SEE 33482-4106	
KEY A, BLACK	33482-4011	A-BLK	GCP	PLR	M		2	3												SALEABLE		
KEY B, LIGHT GRAY	33482-4012	B-LG	GCP	PLR	M		2	3												SALEABLE		
KEY C, BROWN	33482-4013	C-BR	GCP	PLR	M		2	3												NOT RECOMMENDED	SEE 33482-4107	
KEY D, GREEN	33482-4014	D-GR	GCP	PLR	M		2	3												NOT RECOMMENDED	SEE 33482-4108	
KEY A, BLACK	33482-4016	A-BLK	GCP	PLR	M	1	2	3	4											SALEABLE		
KEY B, LIGHT GRAY	33482-4017	B-LG	GCP	PLR	M	1	2	3	4											SALEABLE		
KEY C, BROWN	33482-4018	C-BR	GCP	PLR	M	1	2	3	4											NOT RECOMMENDED	SEE 33482-4109	
KEY D, GREEN	33482-4019	D-GR	GCP	PLR	M	1	2	3	4											NOT RECOMMENDED	SEE 33482-4110	
KEY A, BLACK	33482-4021	A-BLK	GCP	PLR	M	1	2	3												SALEABLE		
KEY A, BLACK	33482-4022	A-BLK	GCP	PLR	M				4											SALEABLE		
KEY A, BLACK	33482-4023	A-BLK	GCP	PLR	M				3	4										SALEABLE		
KEY A, BLACK	33482-4024	A-BLK	GCP	PLR	M				3											SALEABLE		
KEY A, BLACK	33482-4025	A-BLK	GCP	PLR	M	1	2													SALEABLE		
KEY C, DARK GRAY	33482-4103	C-DG	GCO	PLR	M															SALEABLE		
KEY D, STONE GRAY	33482-4104	D-SG	GCO	PLR	M															SALEABLE		
KEY C, DARK GRAY	33482-4105	C-DG	GCP	PLR	M		2													SALEABLE		
KEY D, STONE GRAY	33482-4106	D-SG	GCP	PLR	M		2													SALEABLE		
KEY C, DARK GRAY	33482-4107	C-DG	GCP	PLR	M		2	3												SALEABLE		
KEY D, STONE GRAY	33482-4108	D-SG	GCP	PLR	M		2	3												SALEABLE		
KEY C, DARK GRAY	33482-4109	C-DG	GCP	PLR	M	1	2	3	4											SALEABLE		
KEY D, STONE GRAY	33482-4110	D-SG	GCP	PLR	M	1	2	3	4											SALEABLE		
KEY A, BLACK	33482-4111	A-BLK	GCP	PLR	M		2		4											SALEABLE		
KEY A, YELLOW	33482-4112	A-YW	GCO	PLR	M															SALEABLE		
KEY B, LIGHT GRAY	33482-4113	B-LG	GCP	PLR	M	1														SALEABLE		
KEY A, BLACK	33482-4115	A-BLK	GCP	PLR	M	1			3											SALEABLE		
KEY C, DARK GRAY	33482-4116	C-DG	GCP	PLR	M		2		4											SALEABLE		
KEY B, LIGHT GRAY	33482-4117	B-LG	GCP	PLR	M		2		4											SALEABLE		
KEY B, LIGHT GRAY	33482-4118	B-LG	GCP	PLR	M				4											SALEABLE		

**MX150 2X3 BLADE SEALED ASSEMBLY MAT SEAL
BOM AND PIN OUT SHEET**



ABBREVIATION	DESCRIPTION	COLOR	MATERIAL
A-BLK	HOUSING, KEYING OPTION A	BLACK	SPS/NYLON GF20
B-LG	HOUSING, KEYING OPTION B	LIGHT GRAY	SPS/NYLON GF20
C-BR	HOUSING, KEYING OPTION C	BROWN	SPS/NYLON GF20
D-GR	HOUSING, KEYING OPTION D	GREEN	SPS/NYLON GF20
C-DG	HOUSING, KEYING OPTION C	DARK GRAY	SPS/NYLON GF20
D-SG	HOUSING, KEYING OPTION D	STONE GRAY	SPS/NYLON GF20
A-YW	HOUSING, KEYING OPTION A	YELLOW	SPS/NYLON GF20
GC	GROMMET CAP (STANDARD)	BLACK	SPS/NYLON GF20
GCL	GROMMET CAP (LENGTHENED)	BLACK	SPS/NYLON GF20
PLR	PLR	NATURAL	SPS/NYLON GF20
M	MAT SEAL	ROYAL BLUE	INHERENTLY LUBRICATED SILICONE

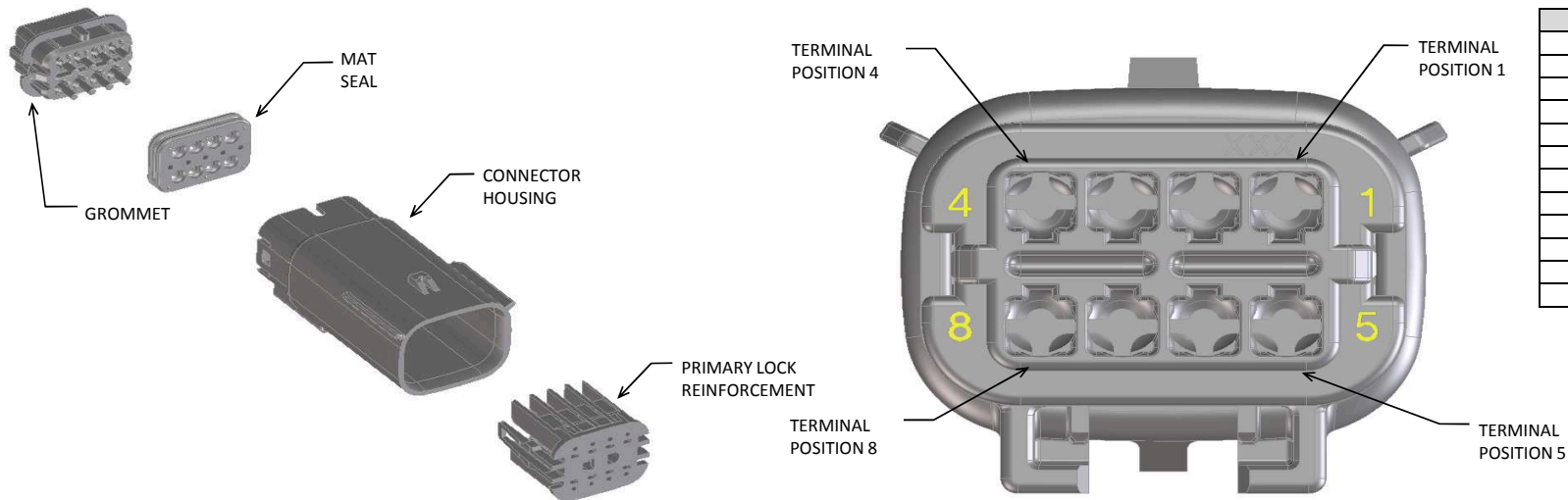
FOR ADDITIONAL INFORMATION SEE SD-33482-0001

ASSEMBLY DESCRIPTION	ASSEMBLY PART NUMBER	COMPONENT				BLOCKED TERMINALS												STATUS	COMMENTS	OPTIONAL ATTACHMENTS SOLD SEPERATELY		
		THE PRESENCE OF AN ABBREVIATION INDICATES THE PRESENCE OF THAT COMPONENT.				CAVITY WITH A NUMBER INDICATES BLOCKED TERMINAL POSITION CAVITY WITHOUT A NUMBER INDICATES OPEN TERMINAL POSITION														BACKSHELL WITH RIBS	BACKSHELL WITHOUT RIBS	
		HOUSING KEY/COLOR	GROMMET CAP	PLR	MAT SEAL	1	2	3	4	5	6											
KEY A, BLACK	33482-3601	A-BLK	GC	PLR	M														SALEABLE		34950-0610	34950-0620
KEY B, LIGHT GRAY	33482-3602	B-LG	GC	PLR	M														SALEABLE		34950-0610	34950-0620
KEY C, BROWN	33482-3603	C-BR	GC	PLR	M														NOT RECOMMENDED	SEE 33482-3628	34950-0610	34950-0620
KEY D, GREEN	33482-3604	D-GR	GC	PLR	M														NOT RECOMMENDED	SEE 33482-3629	34950-0610	34950-0620
VOID KEY	33482-3605																					
KEY A, BLACK	33482-3606	A-BLK	GC	PLR	M			3											SALEABLE		34950-0610	34950-0620
KEY B, LIGHT GRAY	33482-3607	B-LG	GC	PLR	M			3											SALEABLE		34950-0610	34950-0620
KEY C, BROWN	33482-3608	C-BR	GC	PLR	M			3											NOT RECOMMENDED	SEE 33482-3638	34950-0610	34950-0620
KEY D, GREEN	33482-3609	D-GR	GC	PLR	M			3											NOT RECOMMENDED	SEE 33482-3641	34950-0610	34950-0620
VOID KEY	33482-3610																					
KEY A, BLACK	33482-3611	A-BLK	GC	PLR	M			3	4										SALEABLE		34950-0610	34950-0620
KEY B, LIGHT GRAY	33482-3612	B-LG	GC	PLR	M			3	4										SALEABLE		34950-0610	34950-0620
KEY C, BROWN	33482-3613	C-BR	GC	PLR	M			3	4										NOT RECOMMENDED	SEE 33482-3642	34950-0610	34950-0620
KEY D, GREEN	33482-3614	D-GR	GC	PLR	M			3	4										NOT RECOMMENDED	SEE 33482-3643	34950-0610	34950-0620
VOID KEY	33482-3615																					
KEY A, BLACK	33482-3616	A-BLK	GC	PLR	M			3											SALEABLE		34950-0610	34950-0620
KEY A, BLACK	33482-3617	A-BLK	GC	PLR	M		2												SALEABLE		34950-0610	34950-0620
KEY A, BLACK	33482-3618	A-BLK	GC	PLR	M						5	6							SALEABLE		34950-0610	34950-0620
KEY A, BLACK	33482-3619	A-BLK	GC	PLR	M			2	3	4	5								SALEABLE		34950-0610	34950-0620
KEY A, BLACK	33482-3620	A-BLK	GC	PLR	M		1	2	3	4	5	6							SALEABLE		34950-0610	34950-0620
KEY A, BLACK	33482-3621	A-BLK	GC	PLR	M		1			4	5								SALEABLE		34950-0610	34950-0620
KEY A, BLACK	33482-3622	A-BLK	GC	PLR	M					4	5	6							SALEABLE		34950-0610	34950-0620
KEY A, BLACK	33482-3623	A-BLK	GC	PLR	M						5								SALEABLE		34950-0610	34950-0620
KEY A, BLACK	33482-3624	A-BLK	GC	PLR	M							6							SALEABLE		34950-0610	34950-0620
KEY B, LIGHT GRAY	33482-3625	B-LG	GC	PLR	M		1				5								SALEABLE		34950-0610	34950-0620
KEY A, BLACK	33482-3626	A-BLK	GC	PLR	M		1	2	3	4									SALEABLE		34950-0610	34950-0620
KEY A, BLACK	33482-3627	A-BLK	GC	PLR	M			2	3		5	6							SALEABLE		34950-0610	34950-0620
KEY C, DARK GRAY	33482-3628	C-DG	GC	PLR	M														SALEABLE		34950-0610	34950-0620
KEY D, STONE GRAY	33482-3629	D-SG	GC	PLR	M														SALEABLE		34950-0610	34950-0620
KEY A, BLACK	33482-3630	A-BLK	GC	PLR	M				3				6						SALEABLE		34950-0610	34950-0620
KEY A, BLACK	33482-3631	A-BLK	GCL	PLR	M														SALEABLE		34950-0610	34950-0620
KEY B, LIGHT GRAY	33482-3632	B-LG	GCL	PLR	M														SALEABLE		34950-0610	34950-0620
KEY C, DARK GRAY	33482-3633	C-DG	GCL	PLR	M														SALEABLE		34950-0610	34950-0620
KEY D, STONE GRAY	33482-3634	D-SG	GCL	PLR	M														SALEABLE		34950-0610	34950-0620
KEY C, DARK GRAY	33482-3635	C-DG	GCL	PLR	M				3										SALEABLE		34950-0610	34950-0620
KEY A, BLACK	33482-3636	A-BLK	GCL	PLR	M				3										SALEABLE		34950-0610	34950-0620
KEY A, BLACK	33482-3637	A-BLK	GC	PLR	M			2					6						SALEABLE		34950-0610	34950-0620
KEY C, DARK GRAY	33482-3638	C-DG	GC	PLR	M				3										SALEABLE		34950-0610	34950-0620
KEY A, BLACK	33482-3639	A-BLK	GCL	PLR	M		1	2	3	4	5	6							SALEABLE		34950-0610	34950-0620
KEY A, BLACK	33482-3640	A-BLK	GC	PLR	M					4									SALEABLE		34950-0610	34950-0620
KEY D, STONE GRAY	33482-3641	D-SG	GC	PLR	M				3										SALEABLE		34950-0610	34950-0620
KEY C, DARK GRAY	33482-3642	C-DG	GC	PLR	M				3	4									SALEABLE		34950-0610	34950-0620
KEY D, STONE GRAY	33482-3643	D-SG	GC	PLR	M				3	4									SALEABLE		34950-0610	34950-0620
KEY A, YELLOW	33482-3644	A-YW	GC	PLR	M														SALEABLE		34950-0610	34950-0620
KEY A, BLACK	33482-3645	A-BLK	GC	PLR	M				3	4	5	6							SALEABLE		34950-0610	34950-0620
KEY A, BLACK	33482-3646	A-BLK	GC	PLR	M			2	3										SALEABLE		34950-0610	34950-0620
KEY B, LIGHT GRAY	33482-3647	B-LG	GC	PLR	M			2	3										SALEABLE		34950-0610	34950-0620
KEY C, DARK GRAY	33482-3648	C-DG	GC	PLR	M								6						SALEABLE		34950-0610	34950-0620
KEY A, BLACK	33482-3649	A-BLK	GC	PLR	M					4			6						SALEABLE		34950-0610	34950-0620

MX150 2X3 BLADE SEALED ASSEMBLY MAT SEAL
BOM AND PIN OUT SHEET

ASSEMBLY DESCRIPTION	ASSEMBLY PART NUMBER	COMPONENT				BLOCKED TERMINALS										STATUS	COMMENTS	OPTIONAL ATTATCHMENTS SOLD SEPERATELY		
		THE PRESENCE OF AN ABBREVIATION INDICATES THE PRESENCE OF THAT COMPONENT.				CAVITY WITH A NUMBER INDICATES BLOCKED TERMINAL POSITION CAVITY WITHOUT A NUMBER INDICATES OPEN TERMINAL POSITION												BACKSHELL WITH RIBS	BACKSHELL WITHOUT RIBS	
		HOUSING KEY/COLOR	GROMMET CAP	PLR	MAT SEAL	1	2	3	4	5	6									
KEY A, BLACK	33482-3650	A-BLK	GC	PLR	M	1		3		5							SALEABLE		34950-0610	34950-0620
KEY A, BLACK	33482-3651	A-BLK	GC	PLR	M		2		4		6						SALEABLE		34950-0610	34950-0620
KEY A, BLACK	33482-3652	A-BLK	GC	PLR	M	1					6						SALEABLE		34950-0610	34950-0620
KEY A, BLACK	33482-3653	A-BLK	GC	PLR	M		2			5							SALEABLE		34950-0610	34950-0620
KEY A, BLACK	33482-3654	A-BLK	GC	PLR	M	1		3	4								SALEABLE		34950-0610	34950-0620

MX150 2X4 BLADE SEALED ASSEMBLY MAT SEAL
BOM AND PIN OUT SHEET



ABBREVIATION	DESCRIPTION	COLOR	MATERIAL
A-BLK	HOUSING, KEYING OPTION A	BLACK	SPS/NYLON GF20
B-LG	HOUSING, KEYING OPTION B	LIGHT GRAY	SPS/NYLON GF20
C-BR	HOUSING, KEYING OPTION C	BROWN	SPS/NYLON GF20
D-GR	HOUSING, KEYING OPTION D	GREEN	SPS/NYLON GF20
C-DG	HOUSING, KEYING OPTION C	DARK GRAY	SPS/NYLON GF20
D-SG	HOUSING, KEYING OPTION D	STONE GRAY	SPS/NYLON GF20
A-YW	HOUSING, KEYING OPTION A	YELLOW	SPS/NYLON GF20
GCP	GROMMET CAP (PLUGGED)	BLACK	SPS/NYLON GF20
GCO	GROMMET CAP (OPEN)	BLACK	SPS/NYLON GF20
PLR	PLR	NATURAL	SPS/NYLON GF20
M-R	MAT SEAL	RUST RED	INHERENTLY LUBRICATED SILICONE
M-B	MAT SEAL	ROYAL BLUE	INHERENTLY LUBRICATED SILICONE

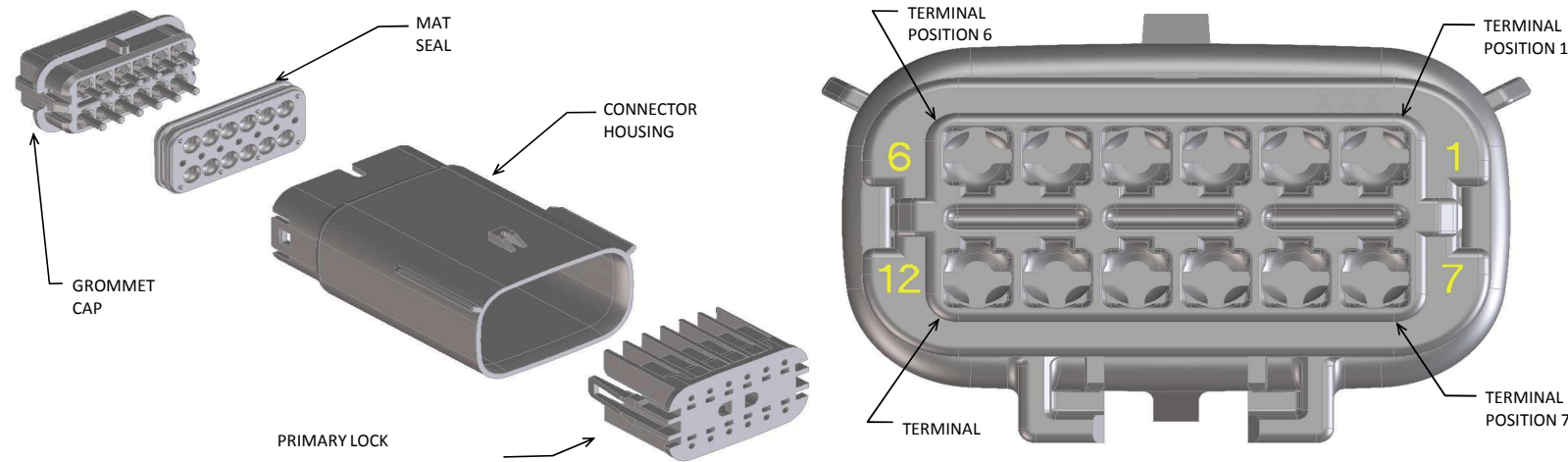
FOR ADDITIONAL INFORMATION SEE SD-33482-0001

ASSEMBLY DESCRIPTION	ASSEMBLY PART NUMBER	COMPONENT				BLOCKED TERMINALS								STATUS	COMMENTS	OPTIONAL ATTACHMENTS SOLD SEPERATELY				
		THE PRESENCE OF AN ABBREVIATION INDICATES THE PRESENCE OF THAT COMPONENT.				CAVITY WITH A NUMBER INDICATES BLOCKED TERMINAL POSITION CAVITY WITHOUT A NUMBER INDICATES OPEN TERMINAL POSITION										BACKSHELL WITH RIBS	BACKSHELL WITHOUT RIBS			
		HOUSING KEY/COLOR	GROMMET CAP	PLR	MAT SEAL	1	2	3	4	5	6	7	8							
KEY A, BLACK	33482-0801	A-BLK	GCO	PLR	M-R											PLANNED OBSOLESCENCE	SEE 33482-4801	DESIGN CONCEPT	DESIGN CONCEPT	
KEY B, LIGHT GRAY	33482-0802	B-LG	GCO	PLR	M-R												PLANNED OBSOLESCENCE	SEE 33482-4802	DESIGN CONCEPT	DESIGN CONCEPT
KEY C, BROWN	33482-0803	C-BR	GCO	PLR	M-R												PLANNED OBSOLESCENCE	SEE 33482-4803	DESIGN CONCEPT	DESIGN CONCEPT
KEY D, GREEN	33482-0804	D-GR	GCO	PLR	M-R												PLANNED OBSOLESCENCE	SEE 33482-4804	DESIGN CONCEPT	DESIGN CONCEPT
VOID KEY	33482-0805																			
KEY A, BLACK	33482-0806	A-BLK	GCP	PLR	M-R				4								PLANNED OBSOLESCENCE	SEE 33482-4806	DESIGN CONCEPT	DESIGN CONCEPT
KEY B, LIGHT GRAY	33482-0807	B-LG	GCP	PLR	M-R				4								PLANNED OBSOLESCENCE	SEE 33482-4807	DESIGN CONCEPT	DESIGN CONCEPT
KEY C, BROWN	33482-0808	C-BR	GCP	PLR	M-R				4								PLANNED OBSOLESCENCE	SEE 33482-4808	DESIGN CONCEPT	DESIGN CONCEPT
KEY D, GREEN	33482-0809	D-GR	GCP	PLR	M-R				4								PLANNED OBSOLESCENCE	SEE 33482-4809	DESIGN CONCEPT	DESIGN CONCEPT
VOID KEY	33482-0810																			
KEY A, BLACK	33482-0811	A-BLK	GCP	PLR	M-R				4	5							PLANNED OBSOLESCENCE	SEE 33482-4811	DESIGN CONCEPT	DESIGN CONCEPT
KEY B, LIGHT GRAY	33482-0812	B-LG	GCP	PLR	M-R				4	5							PLANNED OBSOLESCENCE	SEE 33482-4812	DESIGN CONCEPT	DESIGN CONCEPT
KEY C, BROWN	33482-0813	C-BR	GCP	PLR	M-R				4	5							PLANNED OBSOLESCENCE	SEE 33482-4813	DESIGN CONCEPT	DESIGN CONCEPT
KEY D, GREEN	33482-0814	D-GR	GCP	PLR	M-R				4	5							PLANNED OBSOLESCENCE	SEE 33482-4814	DESIGN CONCEPT	DESIGN CONCEPT
VOID KEY	33482-0815																			
KEY A, BLACK	33482-0816	A-BLK	GCP	PLR	M-R	1			4	5							PLANNED OBSOLESCENCE	SEE 33482-4816	DESIGN CONCEPT	DESIGN CONCEPT
KEY B, LIGHT GRAY	33482-0817	B-LG	GCP	PLR	M-R	1			4	5							PLANNED OBSOLESCENCE	SEE 33482-4817	DESIGN CONCEPT	DESIGN CONCEPT
KEY C, BROWN	33482-0818	C-BR	GCP	PLR	M-R	1			4	5							PLANNED OBSOLESCENCE	SEE 33482-4818	DESIGN CONCEPT	DESIGN CONCEPT
KEY D, GREEN	33482-0819	D-GR	GCP	PLR	M-R	1			4	5							PLANNED OBSOLESCENCE	SEE 33482-4819	DESIGN CONCEPT	DESIGN CONCEPT
VOID KEY	33482-0820																			
KEY A, BLACK	33482-0821	A-BLK	GCP	PLR	M-R	1			4	5				8			PLANNED OBSOLESCENCE	SEE 33482-4821	DESIGN CONCEPT	DESIGN CONCEPT
KEY B, LIGHT GRAY	33482-0822	B-LG	GCP	PLR	M-R	1			4	5				8			PLANNED OBSOLESCENCE	SEE 33482-4822	DESIGN CONCEPT	DESIGN CONCEPT
KEY C, BROWN	33482-0823	C-BR	GCP	PLR	M-R	1			4	5				8			PLANNED OBSOLESCENCE	SEE 33482-4823	DESIGN CONCEPT	DESIGN CONCEPT
KEY D, GREEN	33482-0824	D-GR	GCP	PLR	M-R	1			4	5				8			PLANNED OBSOLESCENCE	SEE 33482-4824	DESIGN CONCEPT	DESIGN CONCEPT
VOID KEY	33482-0825																			
KEY A, BLACK	33482-0826	A-BLK	GCP	PLR	M-R	1	2	3				6	7	8			PLANNED OBSOLESCENCE	SEE 33482-4826	DESIGN CONCEPT	DESIGN CONCEPT
KEY A, BLACK	33482-0827	A-BLK	GCP	PLR	M-R									8			PLANNED OBSOLESCENCE	SEE 33482-4827	DESIGN CONCEPT	DESIGN CONCEPT
KEY A, BLACK	33482-0828	A-BLK	GCP	PLR	M-R			3									PLANNED OBSOLESCENCE	SEE 33482-4828	DESIGN CONCEPT	DESIGN CONCEPT
KEY A, BLACK	33482-0829	A-BLK	GCP	PLR	M-R		2	3	4	5	6	7					PLANNED OBSOLESCENCE	SEE 33482-4829	DESIGN CONCEPT	DESIGN CONCEPT
KEY A, BLACK	33482-0830	A-BLK	GCP	PLR	M-R						6						PLANNED OBSOLESCENCE	SEE 33482-4830	DESIGN CONCEPT	DESIGN CONCEPT
KEY A, BLACK	33482-0831	A-BLK	GCP	PLR	M-R				3		5	6					PLANNED OBSOLESCENCE	SEE 33482-4831	DESIGN CONCEPT	DESIGN CONCEPT
KEY A, BLACK	33482-0832	A-BLK	GCP	PLR	M-R					5	6		8				PLANNED OBSOLESCENCE	SEE 33482-4832	DESIGN CONCEPT	DESIGN CONCEPT
KEY A, BLACK	33482-0833	A-BLK	GCP	PLR	M-R	1		3		5							PLANNED OBSOLESCENCE	SEE 33482-4833	DESIGN CONCEPT	DESIGN CONCEPT
KEY A, BLACK	33482-0834	A-BLK	GCP	PLR	M-R	1	2	3	4	5	6	7	8				PLANNED OBSOLESCENCE	SEE 33482-4834	DESIGN CONCEPT	DESIGN CONCEPT
KEY A, BLACK	33482-0835	A-BLK	GCP	PLR	M-R							7	8				PLANNED OBSOLESCENCE	SEE 33482-4835	DESIGN CONCEPT	DESIGN CONCEPT
KEY A, BLACK	33482-0836	A-BLK	GCP	PLR	M-R		2	3			6	7	8				PLANNED OBSOLESCENCE	SEE 33482-4836	DESIGN CONCEPT	DESIGN CONCEPT
KEY A, BLACK	33482-0837	A-BLK	GCP	PLR	M-R	1			4								PLANNED OBSOLESCENCE	SEE 33482-4837	DESIGN CONCEPT	DESIGN CONCEPT
KEY A, BLACK	33482-0838	A-BLK	GCP	PLR	M-R		2	3		5	6	7	8				PLANNED OBSOLESCENCE	SEE 33482-4838	DESIGN CONCEPT	DESIGN CONCEPT
KEY B, LIGHT GRAY	33482-0839	B-LG	GCP	PLR	M-R								8				PLANNED OBSOLESCENCE	SEE 33482-4839	DESIGN CONCEPT	DESIGN CONCEPT
KEY A, BLACK	33482-0840	A-BLK	GCP	PLR	M-R		2	3		5	6		8				PLANNED OBSOLESCENCE	SEE 33482-4840	DESIGN CONCEPT	DESIGN CONCEPT
KEY A, BLACK	33482-0841	A-BLK	GCP	PLR	M-R						6	7					PLANNED OBSOLESCENCE	SEE 33482-4841	DESIGN CONCEPT	DESIGN CONCEPT
KEY A, BLACK	33482-0842	A-BLK	GCP	PLR	M-R							7					PLANNED OBSOLESCENCE	SEE 33482-4842	DESIGN CONCEPT	DESIGN CONCEPT
KEY A, BLACK	33482-0843	A-BLK	GCP	PLR	M-R				4				7				PLANNED OBSOLESCENCE	SEE 33482-4843	DESIGN CONCEPT	DESIGN CONCEPT
KEY A, BLACK	33482-0844	A-BLK	GCP	PLR	M-R			3			6						PLANNED OBSOLESCENCE	SEE 33482-4844	DESIGN CONCEPT	DESIGN CONCEPT
KEY A, BLACK	33482-0845	A-BLK	GCP	PLR	M-R		2	3	4	5	6						PLANNED OBSOLESCENCE	SEE 33482-4845	DESIGN CONCEPT	DESIGN CONCEPT
KEY A, BLACK	33482-0846	A-BLK	GCP	PLR	M-R				4	5		7	8				PLANNED OBSOLESCENCE	SEE 33482-4846	DESIGN CONCEPT	DESIGN CONCEPT
KEY B, LIGHT GRAY	33482-0847	B-LG	GCP	PLR	M-R	1	2	3	4	5	6	7	8				PLANNED OBSOLESCENCE	SEE 33482-4847	DESIGN CONCEPT	DESIGN CONCEPT
KEY A, BLACK	33482-0848	A-BLK	GCP	PLR	M-R	1				5							PLANNED OBSOLESCENCE	SEE 33482-4848	DESIGN CONCEPT	DESIGN CONCEPT

MX150 2X4 BLADE SEALED ASSEMBLY MAT SEAL
BOM AND PIN OUT SHEET

ASSEMBLY DESCRIPTION	ASSEMBLY PART NUMBER	COMPONENT				BLOCKED TERMINALS								STATUS	COMMENTS	OPTIONAL ATTACHMENTS SOLD SEPERATELY		
		THE PRESENCE OF AN ABBREVIATION INDICATES THE PRESENCE OF THAT COMPONENT.				CAVITY WITH A NUMBER INDICATES BLOCKED TERMINAL POSITION CAVITY WITHOUT A NUMBER INDICATES OPEN TERMINAL POSITION										BACKSHELL WITH RIBS	BACKSHELL WITHOUT RIBS	
		HOUSING KEY/COLOR	GROMMET CAP	PLR	MAT SEAL	1	2	3	4	5	6	7	8					
KEY A, BLACK	33482-4836	A-BLK	GCP	PLR	M-B		2	3		6	7	8			SALEABLE		DESIGN CONCEPT	DESIGN CONCEPT
KEY A, BLACK	33482-4837	A-BLK	GCP	PLR	M-B	1			4						SALEABLE		DESIGN CONCEPT	DESIGN CONCEPT
KEY A, BLACK	33482-4838	A-BLK	GCP	PLR	M-B		2	3		5	6	7	8		SALEABLE		DESIGN CONCEPT	DESIGN CONCEPT
KEY B, LIGHT GRAY	33482-4839	B-LG	GCP	PLR	M-B							8			SALEABLE		DESIGN CONCEPT	DESIGN CONCEPT
KEY A, BLACK	33482-4840	A-BLK	GCP	PLR	M-B		2	3		5	6		8		SALEABLE		DESIGN CONCEPT	DESIGN CONCEPT
KEY A, BLACK	33482-4841	A-BLK	GCP	PLR	M-B						6	7			SALEABLE		DESIGN CONCEPT	DESIGN CONCEPT
KEY A, BLACK	33482-4842	A-BLK	GCP	PLR	M-B							7			SALEABLE		DESIGN CONCEPT	DESIGN CONCEPT
KEY A, BLACK	33482-4843	A-BLK	GCP	PLR	M-B				4			7			SALEABLE		DESIGN CONCEPT	DESIGN CONCEPT
KEY A, BLACK	33482-4844	A-BLK	GCP	PLR	M-B			3			6				SALEABLE		DESIGN CONCEPT	DESIGN CONCEPT
KEY A, BLACK	33482-4845	A-BLK	GCP	PLR	M-B		2	3	4	5	6				SALEABLE		DESIGN CONCEPT	DESIGN CONCEPT
KEY A, BLACK	33482-4846	A-BLK	GCP	PLR	M-B				4	5		7	8		SALEABLE		DESIGN CONCEPT	DESIGN CONCEPT
KEY B, LIGHT GRAY	33482-4847	B-LG	GCP	PLR	M-B	1	2	3	4	5	6	7	8		SALEABLE		DESIGN CONCEPT	DESIGN CONCEPT
KEY A, BLACK	33482-4848	A-BLK	GCP	PLR	M-B	1				5					SALEABLE		DESIGN CONCEPT	DESIGN CONCEPT
KEY B, LIGHT GRAY	33482-4849	B-LG	GCP	PLR	M-B	1					6				SALEABLE		DESIGN CONCEPT	DESIGN CONCEPT
KEY A, YELLOW	33482-4850	A-YW	GCP	PLR	M-B	1			4						SALEABLE		DESIGN CONCEPT	DESIGN CONCEPT
KEY A, YELLOW	33482-4851	A-YW	GCO	PLR	M-B										SALEABLE		DESIGN CONCEPT	DESIGN CONCEPT
KEY C, DARK GRAY	33482-4852	C-DG	GCO	PLR	M-B										SALEABLE		DESIGN CONCEPT	DESIGN CONCEPT
KEY D, STONE GRAY	33482-4853	D-SG	GCO	PLR	M-B										SALEABLE		DESIGN CONCEPT	DESIGN CONCEPT
KEY A, BLACK	33482-4854	A-BLK	GCP	PLR	M-B	1	2	3	4						SALEABLE		DESIGN CONCEPT	DESIGN CONCEPT
KEY A, BLACK	33482-4855	A-BLK	GCP	PLR	M-B	1	2			5	6	7	8		SALEABLE		DESIGN CONCEPT	DESIGN CONCEPT
KEY A, BLACK	33482-4856	A-BLK	GCP	PLR	M-B	1	2								SALEABLE		DESIGN CONCEPT	DESIGN CONCEPT
KEY A, BLACK	33482-4857	A-BLK	GCP	PLR	M-B	1	2	3		5					SALEABLE		DESIGN CONCEPT	DESIGN CONCEPT
KEY A, BLACK	33482-4858	A-BLK	GCP	PLR	M-B	1	2	3	4	5			8		SALEABLE		DESIGN CONCEPT	DESIGN CONCEPT
KEY A, BLACK	33482-4859	A-BLK	GCP	PLR	M-B	1		3		5	6	7			SALEABLE		DESIGN CONCEPT	DESIGN CONCEPT
KEY A, BLACK	33482-4860	A-BLK	GCP	PLR	M-B	1	2	3	4	5	6				SALEABLE		DESIGN CONCEPT	DESIGN CONCEPT
KEY A, BLACK	33482-4861	A-BLK	GCP	PLR	M-B	1	2	3		6					SALEABLE		DESIGN CONCEPT	DESIGN CONCEPT
KEY A, BLACK	33482-4862	A-BLK	GCP	PLR	M-B	1				6					SALEABLE		DESIGN CONCEPT	DESIGN CONCEPT
KEY A, BLACK	33482-4863	A-BLK	GCP	PLR	M-B	1				6	7	8			SALEABLE		DESIGN CONCEPT	DESIGN CONCEPT
KEY A, BLACK	33482-4864	A-BLK	GCP	PLR	M-B			3	4	5	6	7	8		SALEABLE		DESIGN CONCEPT	DESIGN CONCEPT
KEY A, BLACK	33482-4865	A-BLK	GCP	PLR	M-B				4			7	8		SALEABLE		DESIGN CONCEPT	DESIGN CONCEPT
KEY A, BLACK	33482-4866	A-BLK	GCP	PLR	M-B				4	5	6	7	8		SALEABLE		DESIGN CONCEPT	DESIGN CONCEPT
KEY A, BLACK	33482-4867	A-BLK	GCP	PLR	M-B		2	3	4		6	7	8		SALEABLE		DESIGN CONCEPT	DESIGN CONCEPT
KEY A, BLACK	33482-4868	A-BLK	GCP	PLR	M-B					5	6	7			SALEABLE		DESIGN CONCEPT	DESIGN CONCEPT
KEY A, BLACK	33482-4869	A-BLK	GCP	PLR	M-B			3	4						SALEABLE		DESIGN CONCEPT	DESIGN CONCEPT
KEY A, BLACK	33482-4870	A-BLK	GCP	PLR	M-B						6	7	8		SALEABLE		DESIGN CONCEPT	DESIGN CONCEPT
KEY B, LIGHT GRAY	33482-4871	B-LG	GCP	PLR	M-B							7	8		SALEABLE		DESIGN CONCEPT	DESIGN CONCEPT
KEY A, BLACK	33482-4872	A-BLK	GCP	PLR	M-B	1							8		SALEABLE		DESIGN CONCEPT	DESIGN CONCEPT
KEY A, BLACK	33482-4873	A-BLK	GCP	PLR	M-B						6		8		SALEABLE		DESIGN CONCEPT	DESIGN CONCEPT
KEY A, BLACK	33482-4874	A-BLK	GCP	PLR	M-B		2			5					SALEABLE		DESIGN CONCEPT	DESIGN CONCEPT
KEY A, BLACK	33482-4875	A-BLK	GCP	PLR	M-B					5					SALEABLE		DESIGN CONCEPT	DESIGN CONCEPT
KEY B, LIGHT GRAY	33482-4876	B-LG	GCP	PLR	M-B	1		3					8		SALEABLE		DESIGN CONCEPT	DESIGN CONCEPT
KEY B, LIGHT GRAY	33482-4877	B-LG	GCP	PLR	M-B			3					8		SALEABLE		DESIGN CONCEPT	DESIGN CONCEPT
KEY B, LIGHT GRAY	33482-4878	B-LG	GCP	PLR	M-B	1									SALEABLE		DESIGN CONCEPT	DESIGN CONCEPT
KEY A, BLACK	33482-4879	A-BLK	GCP	PLR	M-B	1	2	3	4	5		7			SALEABLE		DESIGN CONCEPT	DESIGN CONCEPT
KEY A, BLACK	33482-4880	A-BLK	GCP	PLR	M-B	1									SALEABLE		DESIGN CONCEPT	DESIGN CONCEPT
KEY A, BLACK	33482-4881	A-BLK	GCP	PLR	M-B					5			8		SALEABLE		DESIGN CONCEPT	DESIGN CONCEPT
KEY A, BLACK	33482-4882	A-BLK	GCP	PLR	M-B				4		6				SALEABLE		DESIGN CONCEPT	DESIGN CONCEPT
KEY A, BLACK	33482-4883	A-BLK	GCP	PLR	M-B	1						7			SALEABLE		DESIGN CONCEPT	DESIGN CONCEPT
KEY A, BLACK	33482-4884	A-BLK	GCP	PLR	M-B	1	2	3	4			7			SALEABLE		DESIGN CONCEPT	DESIGN CONCEPT
KEY A, BLACK	33482-4885	A-BLK	GCP	PLR	M-B	1	2			5	6		8		SALEABLE		DESIGN CONCEPT	DESIGN CONCEPT
KEY A, BLACK	33482-4886	A-BLK	GCP	PLR	M-B		2	3					8		SALEABLE		DESIGN CONCEPT	DESIGN CONCEPT
KEY A, BLACK	33482-4887	A-BLK	GCP	PLR	M-B	1		3	4			7	8		SALEABLE		DESIGN CONCEPT	DESIGN CONCEPT
KEY A, BLACK	33482-4888	A-BLK	GCP	PLR	M-B				4	5	6				SALEABLE		DESIGN CONCEPT	DESIGN CONCEPT

MX150 2X6 BLADE SEALED ASSY MAT SEAL
BOM AND PIN OUT SHEET



ABBREVIATION	DESCRIPTION	COLOR	MATERIAL
A-BLK	HOUSING, KEYING OPTION A	BLACK	SPS/NYLON GF20
B-LG	HOUSING, KEYING OPTION B	LIGHT GRAY	SPS/NYLON GF20
C-BR	HOUSING, KEYING OPTION C	BROWN	SPS/NYLON GF20
D-GR	HOUSING, KEYING OPTION D	GREEN	SPS/NYLON GF20
A-YL	HOUSING, KEYING OPTION A	YELLOW	SPS/NYLON GF20
C-DG	HOUSING, KEYING OPTION C	DARK GRAY	SPS/NYLON GF20
D-SG	HOUSING, KEYING OPTION D	STONE GRAY	SPS/NYLON GF20
GCP	GROMMET CAP (PLUGGED)	BLACK	SPS/NYLON GF20
PLR	PLR	NATURAL	SPS/NYLON GF20
M-R	MAT SEAL	RUST RED	INHERENTLY LUBRICATED SILICONE
M-B	MAT SEAL	ROYAL BLUE	INHERENTLY LUBRICATED SILICONE

FOR ADDITIONAL INFORMATION SEE SD-33482-0001

ASSEMBLY DESCRIPTION	ASSEMBLY PART NUMBER	COMPONENT				BLOCKED TERMINALS												STATUS	COMMENTS	OPTIONAL ATTACHMENTS SOLD SEPERATELY	
		THE PRESENCE OF AN ABBREVIATION INDICATES THE PRESENCE OF THAT COMPONENT.				CAVITY WITH A NUMBER INDICATES BLOCKED TERMINAL POSITION CAVITY WITHOUT A NUMBER INDICATES OPEN TERMINAL POSITION														BACKSHELL WITH RIBS	BACKSHELL WITHOUT RIBS
		HOUSING KEY/COLOR	GROMMET CAP	PLR	MAT SEAL	1	2	3	4	5	6	7	8	9	10	11	12				
KEY A, BLACK	33482-1201	A-BLK	GCP	PLR	M-R													PLANNED OBSOLESCENCE	SEE 33482-6201	34950-1210	34950-1220
KEY B, LIGHT GRAY	33482-1202	B-LG	GCP	PLR	M-R													PLANNED OBSOLESCENCE	SEE 33482-6202	34950-1210	34950-1220
KEY C, BROWN	33482-1203	C-BR	GCP	PLR	M-R													PLANNED OBSOLESCENCE	SEE 33482-6203	34950-1210	34950-1220
KEY D, GREEN	33482-1204	D-GR	GCP	PLR	M-R													PLANNED OBSOLESCENCE	SEE 33482-6204	34950-1210	34950-1220
VOID KEY	33482-1205																				
KEY A, BLACK	33482-1206	A-BLK	GCP	PLR	M-R						6							PLANNED OBSOLESCENCE	SEE 33482-6206	34950-1210	34950-1220
KEY B, LIGHT GRAY	33482-1207	B-LG	GCP	PLR	M-R						6							PLANNED OBSOLESCENCE	SEE 33482-6207	34950-1210	34950-1220
KEY C, BROWN	33482-1208	C-BR	GCP	PLR	M-R						6							PLANNED OBSOLESCENCE	SEE 33482-6208	34950-1210	34950-1220
KEY D, GREEN	33482-1209	D-GR	GCP	PLR	M-R						6							PLANNED OBSOLESCENCE	SEE 33482-6209	34950-1210	34950-1220
VOID KEY	33482-1210																				
KEY A, BLACK	33482-1211	A-BLK	GCP	PLR	M-R						6	7						PLANNED OBSOLESCENCE	SEE 33482-6211	34950-1210	34950-1220
KEY B, LIGHT GRAY	33482-1212	B-LG	GCP	PLR	M-R						6	7						PLANNED OBSOLESCENCE	SEE 33482-6212	34950-1210	34950-1220
KEY C, BROWN	33482-1213	C-BR	GCP	PLR	M-R						6	7						PLANNED OBSOLESCENCE	SEE 33482-6213	34950-1210	34950-1220
KEY D, GREEN	33482-1214	D-GR	GCP	PLR	M-R						6	7						PLANNED OBSOLESCENCE	SEE 33482-6214	34950-1210	34950-1220
VOID KEY	33482-1215																				
KEY A, BLACK	33482-1216	A-BLK	GCP	PLR	M-R	1					6	7						PLANNED OBSOLESCENCE	SEE 33482-6216	34950-1210	34950-1220
KEY B, LIGHT GRAY	33482-1217	B-LG	GCP	PLR	M-R	1					6	7						PLANNED OBSOLESCENCE	SEE 33482-6217	34950-1210	34950-1220
KEY C, BROWN	33482-1218	C-BR	GCP	PLR	M-R	1					6	7						PLANNED OBSOLESCENCE	SEE 33482-6218	34950-1210	34950-1220
KEY D, GREEN	33482-1219	D-GR	GCP	PLR	M-R	1					6	7						PLANNED OBSOLESCENCE	SEE 33482-6219	34950-1210	34950-1220
VOID KEY	33482-1220																				
KEY A, BLACK	33482-1221	A-BLK	GCP	PLR	M-R	1					6	7				12		PLANNED OBSOLESCENCE	SEE 33482-6221	34950-1210	34950-1220
KEY B, LIGHT GRAY	33482-1222	B-LG	GCP	PLR	M-R	1					6	7				12		PLANNED OBSOLESCENCE	SEE 33482-6222	34950-1210	34950-1220
KEY C, BROWN	33482-1223	C-BR	GCP	PLR	M-R	1					6	7				12		PLANNED OBSOLESCENCE	SEE 33482-6223	34950-1210	34950-1220
KEY D, GREEN	33482-1224	D-GR	GCP	PLR	M-R	1					6	7				12		PLANNED OBSOLESCENCE	SEE 33482-6224	34950-1210	34950-1220
VOID KEY	33482-1225																				
KEY A, BLACK	33482-1226	A-BLK	GCP	PLR	M-R						6					12		PLANNED OBSOLESCENCE	SEE 33482-6226	34950-1210	34950-1220
KEY A, BLACK	33482-1227	A-BLK	GCP	PLR	M-R	1	2	3	4	5	6	7	8	9	10	11	12	PLANNED OBSOLESCENCE	SEE 33482-6227	34950-1210	34950-1220
KEY B, LIGHT GRAY	33482-1228	B-LG	GCP	PLR	M-R	1	2	3	4	5	6	7	8	9	10	11	12	PLANNED OBSOLESCENCE	SEE 33482-6228	34950-1210	34950-1220
KEY C, BROWN	33482-1229	C-BR	GCP	PLR	M-R	1	2	3	4	5	6	7	8	9	10	11	12	PLANNED OBSOLESCENCE	SEE 33482-6229	34950-1210	34950-1220
KEY D, GREEN	33482-1230	D-GR	GCP	PLR	M-R	1	2	3	4	5	6	7	8	9	10	11	12	PLANNED OBSOLESCENCE	SEE 33482-6230	34950-1210	34950-1220
VOID KEY	33482-1231																				
KEY A, BLACK	33482-1232	A-BLK	GCP	PLR	M-R		2	3					8			11		PLANNED OBSOLESCENCE	SEE 33482-6232	34950-1210	34950-1220
KEY A, BLACK	33482-1233	A-BLK	GCP	PLR	M-R		2	3			5	6	7	8		11		PLANNED OBSOLESCENCE	SEE 33482-6233	34950-1210	34950-1220
KEY A, BLACK	33482-1234	A-BLK	GCP	PLR	M-R						6	7						PLANNED OBSOLESCENCE	SEE 33482-6234	34950-1210	34950-1220
KEY A, BLACK	33482-1235	A-BLK	GCP	PLR	M-R		2	3			6	7	8		10	11		PLANNED OBSOLESCENCE	SEE 33482-6235	34950-1210	34950-1220
KEY B, LIGHT GRAY	33482-1236	B-LG	GCP	PLR	M-R	1					5	6	7	8	9	10		PLANNED OBSOLESCENCE	SEE 33482-6236	34950-1210	34950-1220
KEY A, BLACK	33482-1237	A-BLK	GCP	PLR	M-R													PLANNED OBSOLESCENCE	SEE 33482-6237	34950-1210	34950-1220
KEY B, LIGHT GRAY	33482-1238	B-LG	GCP	PLR	M-R		2							9	10			PLANNED OBSOLESCENCE	SEE 33482-6238	34950-1210	34950-1220
KEY A, BLACK	33482-1239	A-BLK	GCP	PLR	M-R	1					5	6	7	8				PLANNED OBSOLESCENCE	SEE 33482-6239	34950-1210	34950-1220
KEY A, BLACK	33482-1240	A-BLK	GCP	PLR	M-R		2	3					8	9	10	11		PLANNED OBSOLESCENCE	SEE 33482-6240	34950-1210	34950-1220
KEY A, BLACK	33482-1241	A-BLK	GCP	PLR	M-R								7	8	9	10	11	PLANNED OBSOLESCENCE	SEE 33482-6241	34950-1210	34950-1220
KEY A, BLACK	33482-1242	A-BLK	GCP	PLR	M-R								7	8				PLANNED OBSOLESCENCE	SEE 33482-6242	34950-1210	34950-1220
KEY A, BLACK	33482-1243	A-BLK	GCP	PLR	M-R		2							9	10			PLANNED OBSOLESCENCE	SEE 33482-6243	34950-1210	34950-1220
KEY A, BLACK	33482-1244	A-BLK	GCP	PLR	M-R		2			4								PLANNED OBSOLESCENCE	SEE 33482-6244	34950-1210	34950-1220
KEY A, BLACK	33482-1245	A-BLK	GCP	PLR	M-R									9	10	11	12	PLANNED OBSOLESCENCE	SEE 33482-6245	34950-1210	34950-1220
KEY A, BLACK	33482-1246	A-BLK	GCP	PLR	M-R											11		PLANNED OBSOLESCENCE	SEE 33482-6246	34950-1210	34950-1220
KEY A, BLACK	33482-1247	A-BLK	GCP	PLR	M-R		2	3	4				7	8				PLANNED OBSOLESCENCE	SEE 33482-6247	34950-1210	34950-1220
KEY A, BLACK	33482-1248	A-BLK	GCP	PLR	M-R	1			3	4	5	6	7	8				PLANNED OBSOLESCENCE	SEE 33482-6248	34950-1210	34950-1220
KEY A, BLACK	33482-1249	A-BLK	GCP	PLR	M-R										10	11	12	PLANNED OBSOLESCENCE	SEE 33482-6249	34950-1210	34950-1220
KEY A, BLACK	33482-1250	A-BLK	GCP	PLR	M-R					4	5	6	7	8	9			PLANNED OBSOLESCENCE	SEE 33482-6250	34950-1210	34950-1220
KEY A, BLACK	33482-1251	A-BLK	GCP	PLR	M-R		2			4	5				10	11		PLANNED OBSOLESCENCE	SEE 33482-6251	34950-1210	34950-1220
KEY A, BLACK	33482-1252	A-BLK	GCP	PLR	M-R								7					PLANNED OBSOLESCENCE	SEE 33482-6252	34950-1210	34950-1220
KEY A, BLACK	33482-1253	A-BLK	GCP	PLR	M-R		2	3	4	5	6	7	8		10	11	12	PLANNED OBSOLESCENCE	SEE 33482-6253	34950-1210	34950-1220
KEY A, BLACK	33482-1254	A-BLK	GCP	PLR	M-R		2	3	4	5					10	11	12	PLANNED OBSOLESCENCE	SEE 33482-6254	34950-1210	34950-1220

MX150 2X6 BLADE SEALED ASSY MAT SEAL
BOM AND PIN OUT SHEET

Table with columns: ASSEMBLY DESCRIPTION, ASSEMBLY PART NUMBER, COMPONENT (HOUSING KEY/COLOR, GROMMET CAP, PLR, MAT SEAL), BLOCKED TERMINALS (1-12), STATUS, COMMENTS, and OPTIONAL ATTACHMENTS SOLD SEPERATELY (BACKSHELL WITH RIBS, BACKSHELL WITHOUT RIBS).

MX150 2X6 BLADE SEALED ASSY MAT SEAL
BOM AND PIN OUT SHEET

ASSEMBLY DESCRIPTION	ASSEMBLY PART NUMBER	COMPONENT				BLOCKED TERMINALS												STATUS	COMMENTS	OPTIONAL ATTACHMENTS SOLD SEPERATELY	
		THE PRESENCE OF AN ABBREVIATION INDICATES THE PRESENCE OF THAT COMPONENT.				CAVITY WITH A NUMBER INDICATES BLOCKED TERMINAL POSITION CAVITY WITHOUT A NUMBER INDICATES OPEN TERMINAL POSITION														BACKSHELL WITH RIBS	BACKSHELL WITHOUT RIBS
		HOUSING KEY/COLOR	GROMMET CAP	PLR	MAT SEAL	1	2	3	4	5	6	7	8	9	10	11	12				
KEY A, BLACK	33482-6404	A-BLK	GCP	PLR	M-B					5	6	7	8				12	SALEABLE		34950-1210	34950-1220
KEY A, BLACK	33482-6405	A-BLK	GCP	PLR	M-B							7	8				12	SALEABLE		34950-1210	34950-1220
KEY A, BLACK	33482-6406	A-BLK	GCP	PLR	M-B		2	3		5	6	7		9	10	11	12	SALEABLE		34950-1210	34950-1220
KEY A, BLACK	33482-6407	A-BLK	GCP	PLR	M-B			3							10	11	12	SALEABLE		34950-1210	34950-1220
KEY A, BLACK	33482-6408	A-BLK	GCP	PLR	M-B				4	5	6	7	8		10	11	12	SALEABLE		34950-1210	34950-1220
KEY A, BLACK	33482-6409	A-BLK	GCP	PLR	M-B			3	4	5	6	7	8		10	11	12	SALEABLE		34950-1210	34950-1220
KEY A, BLACK	33482-6410	A-BLK	GCP	PLR	M-B	1	2	3	4				8	9				SALEABLE		34950-1210	34950-1220
KEY A, BLACK	33482-6411	A-BLK	GCP	PLR	M-B		2	3						9				SALEABLE		34950-1210	34950-1220
KEY A, BLACK	33482-6412	A-BLK	GCP	PLR	M-B								8		10	11		SALEABLE		34950-1210	34950-1220
KEY A, BLACK	33482-6413	A-BLK	GCP	PLR	M-B	1		3		5						11		SALEABLE		34950-1210	34950-1220
KEY A, BLACK	33482-6414	A-BLK	GCP	PLR	M-B	1		3		5			8		10	11		SALEABLE		34950-1210	34950-1220
KEY A, BLACK	33482-6415	A-BLK	GCP	PLR	M-B		2	3		5	6	7		9		11	12	SALEABLE		34950-1210	34950-1220
KEY A, BLACK	33482-6416	A-BLK	GCP	PLR	M-B	1			4	5	6		8		10		12	SALEABLE		34950-1210	34950-1220
KEY A, BLACK	33482-6417	A-BLK	GCP	PLR	M-B	1			4	5			8		10		12	SALEABLE		34950-1210	34950-1220
KEY A, BLACK	33482-6418	A-BLK	GCP	PLR	M-B	1	2	3	4	5			8		10	11	12	SALEABLE		34950-1210	34950-1220
KEY A, BLACK	33482-6419	A-BLK	GCP	PLR	M-B		2	3		5	6	7		9	10	11	12	SALEABLE	SEE 33482-6406	34950-1210	34950-1220
KEY A, BLACK	33482-6420	A-BLK	GCP	PLR	M-B	1	2	3	4				8	9				SALEABLE	SEE 33482-6410	34950-1210	34950-1220
KEY A, BLACK	33482-6421	A-BLK	GCP	PLR	M-B		2	3						9				SALEABLE	SEE 33482-6411	34950-1210	34950-1220
KEY A, BLACK	33482-6422	A-BLK	GCP	PLR	M-B								8		10	11		SALEABLE	SEE 33482-6412	34950-1210	34950-1220
KEY A, BLACK	33482-6423	A-BLK	GCP	PLR	M-B	1		3		5					11			SALEABLE	SEE 33482-6413	34950-1210	34950-1220
KEY A, BLACK	33482-6424	A-BLK	GCP	PLR	M-B	1		3		5			8		10	11		SALEABLE	SEE 33482-6414	34950-1210	34950-1220
KEY A, BLACK	33482-6425	A-BLK	GCP	PLR	M-B		2		4		6	7	8	9	10	11	12	SALEABLE		34950-1210	34950-1220
KEY A, BLACK	33482-6426	A-BLK	GCP	PLR	M-B				3	4						11	12	SALEABLE	SEE 33482-6385	34950-1210	34950-1220
KEY A, BLACK	33482-6427	A-BLK	GCP	PLR	M-B				3	4				9	10	11	12	SALEABLE	SEE 33482-6293	34950-1210	34950-1220
KEY A, BLACK	33482-6428	A-BLK	GCP	PLR	M-B	1	2			5	6	7	8	9	10			SALEABLE		34950-1210	34950-1220
KEY A, BLACK	33482-6429	A-BLK	GCP	PLR	M-B									9	10			SALEABLE		34950-1210	34950-1220
KEY A, BLACK	33482-6430	A-BLK	GCP	PLR	M-B				3	4	5	6		8	9			SALEABLE		34950-1210	34950-1220
KEY B, LIGHT GRAY	33482-6431	B-LG	GCP	PLR	M-B	1	2	3	4				8			11	12	SALEABLE		34950-1210	34950-1220
KEY B, LIGHT GRAY	33482-6432	B-LG	GCP	PLR	M-B	1	2	3	4				8					SALEABLE		34950-1210	34950-1220
KEY A, BLACK	33482-6433	A-BLK	GCP	PLR	M-B										10	11	12	SALEABLE	SEE 33482-6249	34950-1210	34950-1220
KEY B, LIGHT GRAY	33482-6434	B-LG	GCP	PLR	M-B							7	8	9			12	SALEABLE		34950-1210	34950-1220
KEY A, BLACK	33482-6435	A-BLK	GCP	PLR	M-B							7	8	9	10	11	12	SALEABLE	SEE 33482-6308	34950-1210	34950-1220
KEY A, BLACK	33482-6436	A-BLK	GCP	PLR	M-B		2						8	9	10	11	12	SALEABLE		34950-1210	34950-1220
KEY A, BLACK	33482-6437	A-BLK	GCP	PLR	M-B		2						8	9				SALEABLE		34950-1210	34950-1220
KEY B, LIGHT GRAY	33482-6438	B-LG	GCP	PLR	M-B	1	2	3	4				8			11	12	NOT RECOMMENDED	SEE 33482-6431	34950-1210	34950-1220
KEY B, LIGHT GRAY	33482-6439	B-LG	GCP	PLR	M-B	1	2	3	4				8					NOT RECOMMENDED	SEE 33482-6432	34950-1210	34950-1220
KEY A, BLACK	33482-6440	A-BLK	GCP	PLR	M-B	1	2			6				9	10			SALEABLE		34950-1210	34950-1220
KEY A, BLACK	33482-6441	A-BLK	GCP	PLR	M-B	1	2	3		6	7			10	11	12		SALEABLE	SEE 33482-6370	34950-1210	34950-1220
KEY A, BLACK	33482-6442	A-BLK	GCP	PLR	M-B		2		4	6		8						SALEABLE		34950-1210	34950-1220
KEY A, BLACK	33482-6443	A-BLK	GCP	PLR	M-B		2		4	6								SALEABLE		34950-1210	34950-1220
KEY A, BLACK	33482-6444	A-BLK	GCP	PLR	M-B				3	4	6		8	9				SALEABLE		34950-1210	34950-1220
KEY A, BLACK	33482-6445	A-BLK	GCP	PLR	M-B				4			7		9	10	11	12	SALEABLE		34950-1210	34950-1220
KEY C, DARK GRAY	33482-6446	C-DG	GCP	PLR	M-B				3	4								SALEABLE		34950-1210	34950-1220

MX150 2X8 BLADE SEALED ASSY MAT SEAL
BOM AND PIN OUT SHEET

Table with columns: ASSEMBLY DESCRIPTION, ASSEMBLY PART NUMBER, COMPONENT (HOUSING KEY/COLOR, GROMMET CAP, PLR, MAT SEAL), BLOCKED TERMINALS (1-16), STATUS, COMMENTS, and OPTIONAL ATTACHMENTS SOLD SEPERATELY (BACKSHELL WITH RIBS, BACKSHELL WITHOUT RIBS).

MX150 2X8 BLADE SEALED ASSY MAT SEAL
BOM AND PIN OUT SHEET

Table with columns: ASSEMBLY DESCRIPTION, ASSEMBLY PART NUMBER, COMPONENT (HOUSING KEY/COLOR, GROMMET CAP, PLR, MAT SEAL), BLOCKED TERMINALS (1-16), STATUS, COMMENTS, and OPTIONAL ATTACHMENTS SOLD SEPERATELY (BACKSHELL WITH RIBS, BACKSHELL WITHOUT RIBS). Rows include various key assemblies (KEY A, B, C, D) in different colors and configurations.

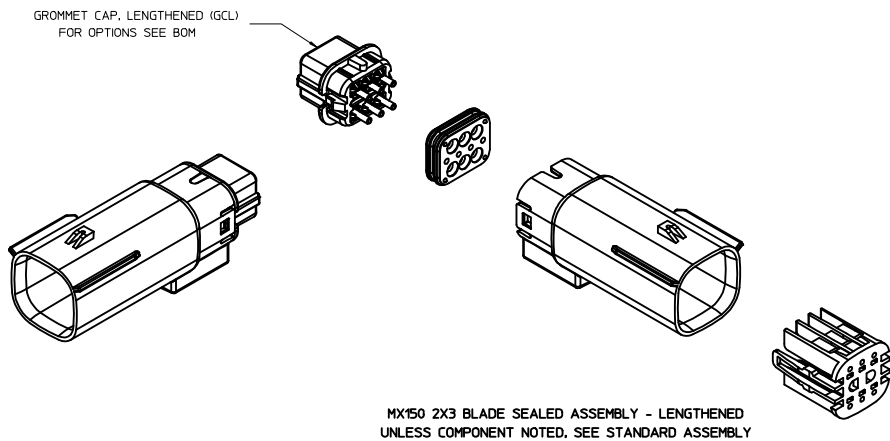
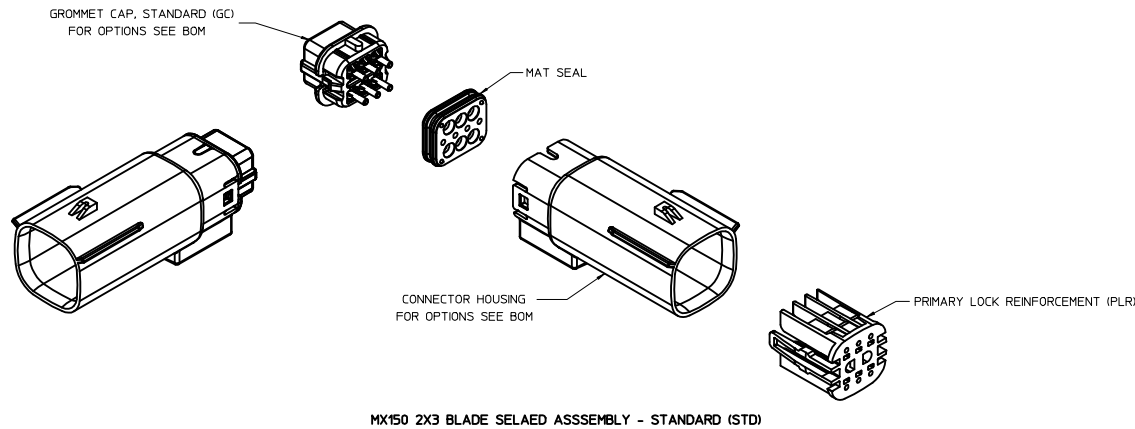
MX150 2X8 BLADE SEALED ASSY MAT SEAL
BOM AND PIN OUT SHEET

ASSEMBLY DESCRIPTION	ASSEMBLY PART NUMBER	COMPONENT				BLOCKED TERMINALS																STATUS	COMMENTS	OPTIONAL ATTACHMENTS SOLD SEPERATELY		
		THE PRESENCE OF AN ABBREVIATION INDICATES THE PRESENCE OF THAT COMPONENT.				CAVITY WITH A NUMBER INDICATES BLOCKED TERMINAL POSITION CAVITY WITHOUT A NUMBER INDICATES OPEN TERMINAL POSITION																		BACKSHELL WITH RIBS	BACKSHELL WITHOUT RIBS	
		HOUSING KEY/COLOR	GROMMET CAP	PLR	MAT SEAL	1	2	3	4	5	6	7	8	9	10	11	12	13	14	15	16					
KEY A, BLACK	33482-8858	A-BLK	GCP	PLR	M-B	1	2	3	4		6	7	8	9	10			13	14		16	SALEABLE				
KEY A, BLACK	33482-8859	A-BLK	GCP	PLR	M-B		2				5	7		9	10	11	12	13	14		16	SALEABLE				
KEY A, BLACK	33482-8860	A-BLK	GCP	PLR	M-B										10	11	12	13			16	SALEABLE				

TABLE OF CONTENTS	
SHEET NO.	SHEET DESCRIPTION
1	NOTES
2	KEY CONFIGURATIONS
3	BLADE SEALED ASSEMBLY
4	SYSTEM PACKAGING
5	BACKSHELL NOTES
6	BACKSHELL
7	BACKSHELL CONFIGURATIONS
8	BOM

NOTES: VALID UNLESS OTHERWISE SPECIFIED

1. GENERAL:
 - a. APPLICATION SPECIFICATION SEE: AS-33472-100
 CONTAINS: PRODUCT INTRODUCTION, PRODUCT SUMMARY, CONNECTOR ASSEMBLY, PACKAGING INFORMATION, CONNECTOR MATING, SERVICE INSTRUCTIONS, ELECTRICAL CONTINUITY CHECKING, CRIMPING, AND TROUBLESHOOTING.
 -DESIGNED TO MATE WITH RECEPTACLE SEALED ASSEMBLY SPECIFIED IN MOLEX CHARTERED DRAWING SD-33472-061 AND SD-33472-071.
 -FOR 1.5mm BLADE TERMINALS TO BE USED WITH THIS ASSEMBLY SEE MOLEX DRAWING SD-33000-001
 - SYSTEM TO BE USED WITH WIRE WITHIN DIAMETER RANGE OF 1.2mm TO 2.69mm.
 -ASSEMBLY SHIPPED WITH PLR IN PRE-LOCK POSITION
 -IN THE EVENT THAT THE PLR IS FOUND IN THE SEATED (FINAL LOCK) POSITION, REFER TO MOLEX SPECIFICATION PS-34646-001, AVAILABLE AT www.molex.com <<http://www.molex.com>>
 -ASSEMBLY CONFORMS TO SAE/USCAR-2 REV.4 WITH THE FOLLOWING EXCEPTIONS: TERMINAL INSERTION FORCE FOR WIRE DIAMETER ABOVE 2.5mm NOT EXCEEDING 2.69mm SHALL NOT EXCEED 45 NEWTONS.
 - b. PRODUCT SPECIFICATION SEE: PS-33472-000
 CONTAINS: PRODUCT INTRODUCTION, PRODUCT SUMMARY, AND PRODUCT VALIDATION.
 - c. PACKAGING SPECIFICATION PER MOLEX DRAWING: PK-31300-435
 - d. PARTS MUST BE IN COMPLIANCE TO MOLEX CHEMICAL SUBSTANCES FOR PRODUCTS AND PACKAGING SPECIFICATION: ES-40000-5016
 - e. DATA MUST BE SUBMITTED UNDER THE MOLEX PART NUMBER TO IMDS (COMPANY ID#13255)
2. DESIGN - MATERIALS:
 - a. SEE BOM TABLE.
3. DESIGN - GEOMETRY:
 - a. THIS IS A 100% CAD GENERATED PART. THE CAD MATHEMATICAL DATA IS THE MASTER FOR THIS PART. FOR DIMENSIONAL OR ANY INFORMATION NOT SHOWN ON THIS DRAWING, ANALYZE THE CAD MODEL.
 - b. GEOMETRIC DIMENSIONS AND TOLERANCES PER ASME Y14.5M - 1994
 - c. EDGES AND UNDIMENSIONED DETAILS PER ISO13715
 - d. CORNERS SHOWN AS SHARP TO BE R 0.2 MAX.
 - e. LETTERING SHALL BE 0.15 MAX RAISED IN 0.25 MAX RECESS PAD. THIS INCLUDES RECYCLING CODE, CAVITY ID, VENDOR IDENTIFICATION, AND CUSTOMER MATERIAL NUMBER.
 - f. VISUAL DEFECTS SHALL MEET COSMETIC STANDARD PS-45499-002 (Class B).
 - g. LASER MARKING: TBD

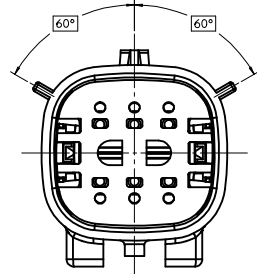


INSPECTION NUMBER LOG
 LAST NUMBER USED: 5
 ADDED:
 REMOVED: 2

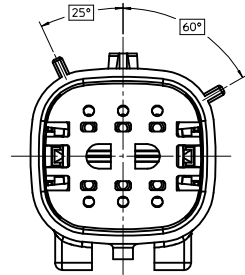
AB	ADD NEW P/N 33482-0653
AA10	UPDATED STATUS AND COMMENTS COLUMNS
AA9	ADD NEW P/N 33482-0652
AA8	ADD NEW P/N 33482-0650 33482-0651
AA7	ADD NEW P/N 33482-0649
AA6	ADD NEW P/N 33482-0648
AA5	ADD NEW P/N 33482-0646 33482-0647
AA4	ADD NEW P/N 33482-0645
AA3	ADD NEW P/N 33482-0644
AA2	CHANGE PART NUMBER STATUS ADD NEW P/N 33482-0641 33482-0642 33482-0643
REV	DESCRIPTION

REVISED DEC NO. 2016/03/07 DRAWN BY: AB CHKD: APPR: JDENGOZ DESCRIPTION:	QUALITY SYMBOLS ▽=0 ▽=0 ▽=0	GENERAL TOLERANCES (UNLESS SPECIFIED) mm INCH 4 PLACES ± --- ± --- 3 PLACES ± 0.10 ± --- 2 PLACES ± 0.3 ± --- 1 PLACE ± ± --- 0 PLACE ± ±	DIMENSION STYLE MM ONLY DRAWN BY: MDICK DATE: 2011/07/22 CHECKED BY: MDICK DATE: 2011/12/19 APPROVED BY:	SCALE 2:1 DESIGN UNITS METRIC THIRD ANGLE PROJECTION	TITLE MX150 2X3 BLADE SEALED ASSEMBLY MAT SEAL molex
	MATERIAL NO. SEE BOM	DOCUMENT NO. SD-33482-061	SHEET NO. 1 OF 9		
	ANGLUAR ± 3 ° DRAFT WHERE APPLICABLE MUST REMAIN WITHIN DIMENSIONS				
	SIZE THIS DRAWING CONTAINS INFORMATION THAT IS PROPRIETARY TO MOLEX INCORPORATED AND SHOULD NOT BE USED WITHOUT WRITTEN PERMISSION				

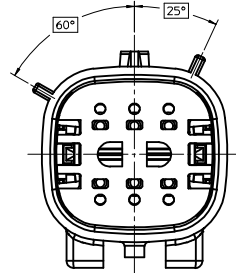
KEY CONFIGURATIONS



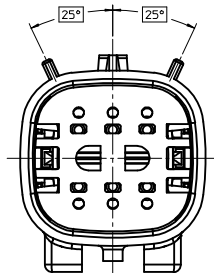
KEY A



KEY B



KEY C

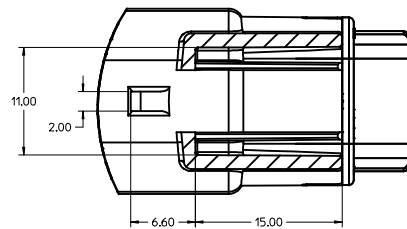
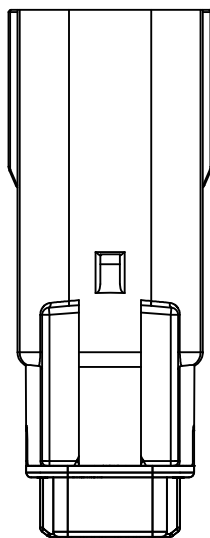
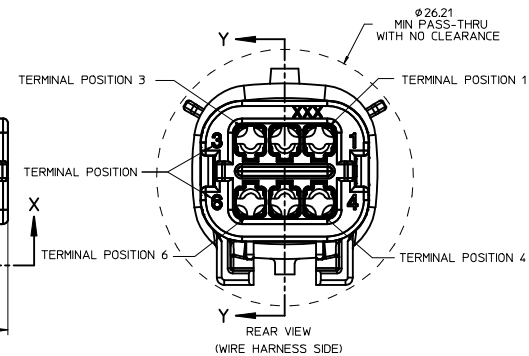
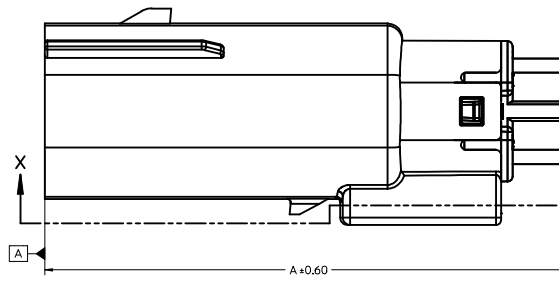
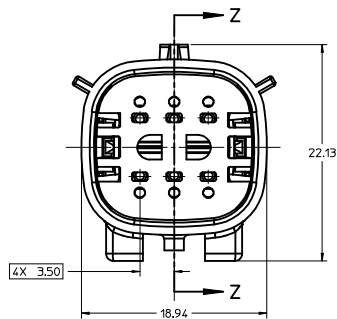
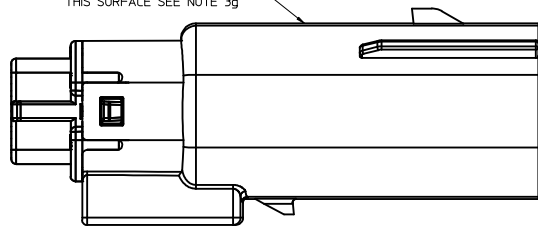


KEY D

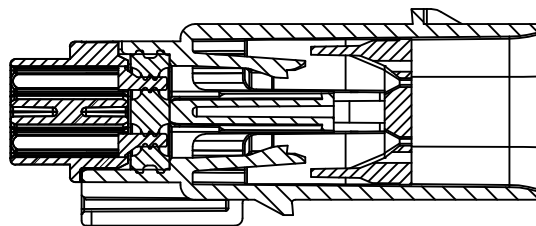
REVISED DEC NO. 01/2016-1297 DRAWN BY CHYK APPR: JDENG02 2016/03/07 AB	QUALITY SYMBOLS	GENERAL TOLERANCES (UNLESS SPECIFIED)	DIMENSION STYLE	SCALE	DESIGN UNITS	THIRD ANGLE PROJECTION
	▽=0	mm INCH	MM ONLY	4:1	METRIC	☉
	▽=0	4 PLACES ± --- ± ---	DRAWN BY DATE	TITLE		
	▽=0	3 PLACES ± --- ± ---	MDICK 2011/07/22	MX150 2X3 BLADE SEALED ASSEMBLY MAT SEAL		
▽=0	2 PLACES ± 0.10 ± ---	CHECKED BY DATE	MATERIAL NO. DOCUMENT NO.			
▽=0	1 PLACE ± 0.3 ± ---	MDICK 2011/12/19	SEE BOM SD-33482-061			
▽=0	0 PLACE ± ±	APPROVED BY DATE	SIZE D THIS DRAWING CONTAINS INFORMATION THAT IS PROPRIETARY TO MOLEX INCORPORATED AND SHOULD NOT BE USED WITHOUT WRITTEN PERMISSION			
		ANGULAR ± 3 °	SHEET NO. 2 OF 9			
		DRAFT WHERE APPLICABLE MUST REMAIN WITHIN DIMENSIONS				

BLADE SEALED ASSEMBLY

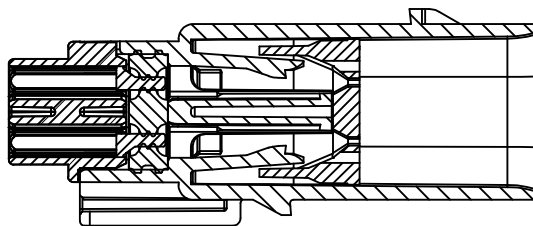
OPTIONAL LASER MARKING ON THIS SURFACE SEE NOTE 3g



Partial X-X
SCALE 4:1



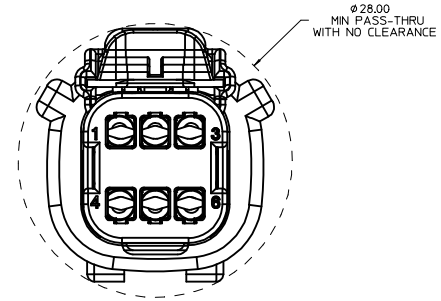
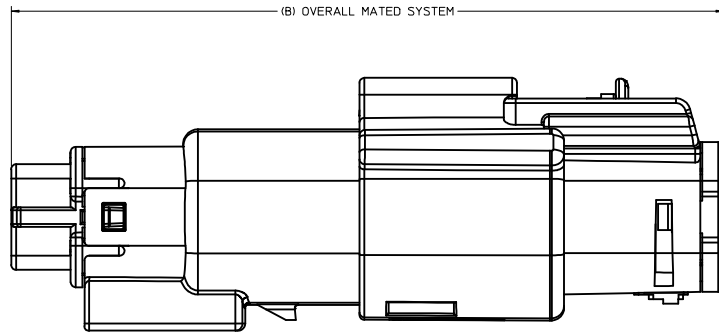
PRIMARY LOCK REINFORCEMENT (PLR) SHOWN IN PRE-STAGED POSITION
SECTION Z-Z



PRIMARY LOCK REINFORCEMENT (PLR) SHOWN IN FINAL-LOCK POSITION
SECTION Y-Y

CHARTED DIMENSIONS	
CONFIGURATION	A
MX150 2X3 BLADE SEALED ASSEMBLY - STANDARD	53.85
MX150 2X3 BLADE SEALED ASSEMBLY - LENGTHENED	55.85

REVISED IEC NO. UAU2016-1297 DRAWN BY CHYK APPR: JENGG02 2016/03/07 2016/03/07 AB	QUALITY SYMBOLS	GENERAL TOLERANCES (UNLESS SPECIFIED)	DIMENSION STYLE	SCALE	DESIGN UNITS	THIRD ANGLE PROJECTION
	∇=0 ∇=0 ∇=0	mm INCH 4 PLACES ± --- ± --- 3 PLACES ± --- ± --- 2 PLACES ± 0.10 ± --- 1 PLACE ± 0.3 ± --- 0 PLACE ± ±	MM ONLY	4:1	METRIC	MDCB 2011/07/22 MDCB 2011/12/19
	ANGULAR ± 3 ° DRAFT WHERE APPLICABLE MUST REMAIN WITHIN DIMENSIONS	MATERIAL NO.	DATE	DATE	DATE	MX150 2X3 BLADE SEALED ASSEMBLY MAT SEAL molex
	SEE BOM THIS DRAWING CONTAINS INFORMATION THAT IS PROPRIETARY TO MOLEX INCORPORATED AND SHOULD NOT BE USED WITHOUT WRITTEN PERMISSION	SEE BOM	DATE	DATE	DATE	DOCUMENT NO. SD-33482-061 SHEET NO. 3 OF 9



CHARTED DIMENSIONS	
CONFIGURATION	B
MX150 2X3 BLADE SEALED ASSEMBLY - STANDARD	72.78
MX150 2X3 BLADE SEALED ASSEMBLY - LENGTHENED	74.79

CHARTED DIMENSIONS	
CONFIGURATION	C
MX150 2X3 RECEPTACLE SEALED ASSEMBLY WITHOUT CLIPSLLOT	30.50
MX150 2X3 RECEPTACLE SEALED ASSEMBLY WITH CLIPSLLOT	28.00

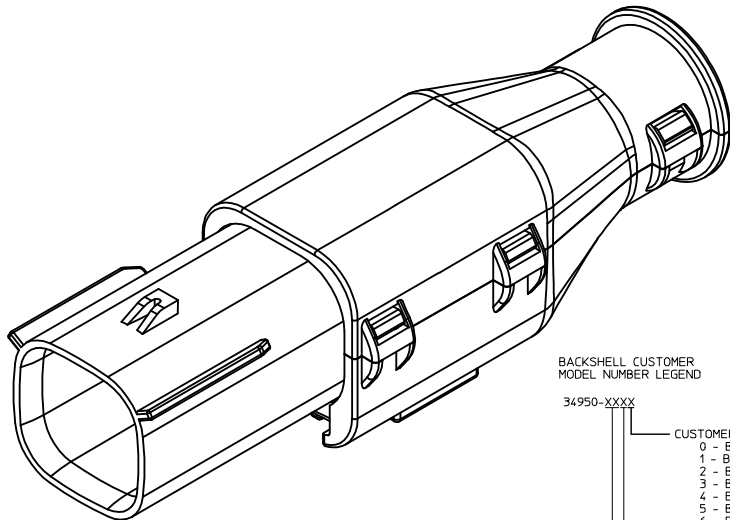
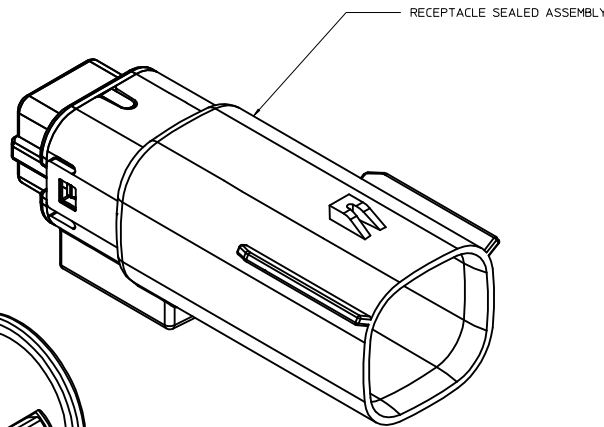
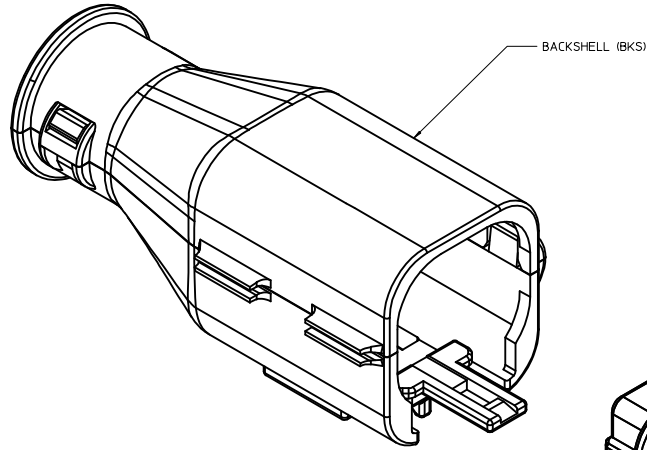
REVISED IEC NO. UAU2016-1297 DRAWN BY CHKD: APPR: JDENG02 2016/03/07 2016/03/07 DESCRIPTION	QUALITY SYMBOLS	GENERAL TOLERANCES (UNLESS SPECIFIED)	DIMENSION STYLE	SCALE	DESIGN UNITS	THIRD ANGLE PROJECTION
	∇=0 ∇=0 ∇=0	4 PLACES ± --- ± --- 3 PLACES ± --- ± --- 2 PLACES ± 0.10 ± --- 1 PLACE ± 0.3 ± --- 0 PLACE ± ±	mm INCH ANGULAR ± 3 ° DRAFT WHERE APPLICABLE MUST REMAIN WITHIN DIMENSIONS	MM ONLY DRAWN BY DATE MD LCK 2011/07/22 CHECKED BY DATE MD LCK 2011/12/19 APPROVED BY DATE	4:1 TITLE	METRIC
AB SIZE D			MATERIAL NO. SEE BOM	DOCUMENT NO. SD-33482-061	SHEET NO. 4 OF 9	THIS DRAWING CONTAINS INFORMATION THAT IS PROPRIETARY TO MOLEX INCORPORATED AND SHOULD NOT BE USED WITHOUT WRITTEN PERMISSION

BACKSHELL NOTES

BACKSHELL NOTES: VALID UNLESS OTHERWISE SPECIFIED

1. GENERAL:

- a. APPLICATION SPECIFICATION SEE: AS-34951-001
 - DESIGNED TO MATE WITH BLADE SEALED ASSEMBLY SPECIFIED IN MOLEX DRAWING SD-33482-061.
 - SYSTEM TO BE USED WITH WIRE WITHIN DIAMETER RANGE OF 1.2mm TO 2.69mm.
 - COMPONENTS ARE OPTIONAL AND MUST BE PURCHASED SEPARATELY
 - BACKSHELL DESIGN IS OWNED BY SCHLEMMER
 - FOR ADDITIONAL INFORMATION SEE THE BACKSHELL COMPONENT DRAWING SD-34950-0001.



BACKSHELL CUSTOMER MODEL NUMBER LEGEND

34950-XXXX

CUSTOMER MODEL COMPONENTS

- 0 - BACKSHELL ONLY
- 1 - BACKSHELL & MX150 HOUSING KEY A ASSEMBLY
- 2 - BACKSHELL & MX150 HOUSING KEY B ASSEMBLY
- 3 - BACKSHELL & MX150 HOUSING KEY C ASSEMBLY
- 4 - BACKSHELL & MX150 HOUSING KEY D ASSEMBLY
- 5 - BACKSHELL & MX150 2X3 LENGTHENED HOUSING KEY A ASSEMBLY
- 6 - BACKSHELL & MX150 2X3 LENGTHENED HOUSING KEY B ASSEMBLY
- 7 - BACKSHELL & MX150 2X3 LENGTHENED HOUSING KEY C ASSEMBLY
- 8 - BACKSHELL & MX150 2X3 LENGTHENED HOUSING KEY D ASSEMBLY

BACKSHELL FEATURES

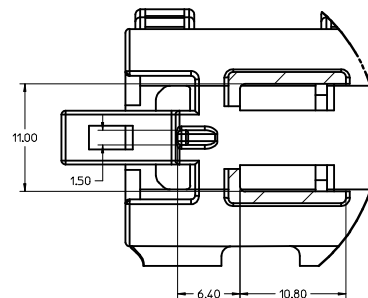
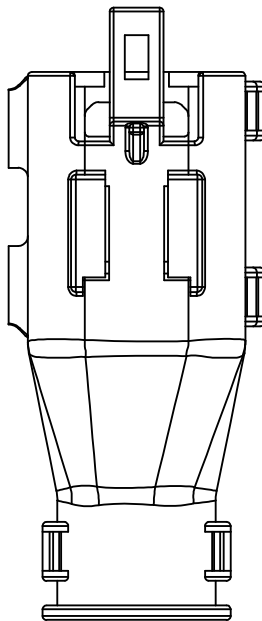
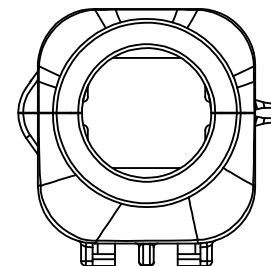
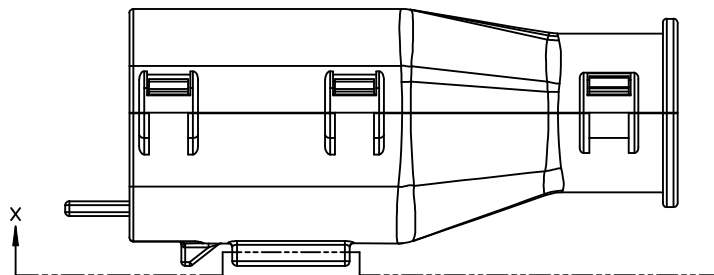
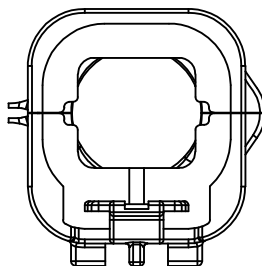
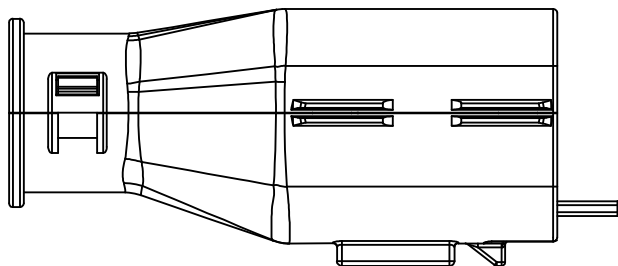
- 1 - WITH RIBS
- 2 - WITHOUT RIBS

MX150 CIRCUIT SIZE 04, 06, 08, 12, 16, 20

REVISED DEC NO. 01/2016-1297 DRAWN BY CHKD: AB	2016/03/01 2016/03/07 APP: JDENG02	DESCRIPTION	QUALITY SYMBOLS		GENERAL TOLERANCES (UNLESS SPECIFIED)		DIMENSION STYLE		SCALE	DESIGN UNITS	THIRD ANGLE PROJECTION
			▽=0	▽=0	▽=0	mm	INCH	MM ONLY	4:1	METRIC	
			4 PLACES ±				DRAWN BY	DATE	TITLE		
			3 PLACES ±				MDICK	2011/07/22	MX150 2X3 BLADE SEALED ASSEMBLY MAT SEAL		
			2 PLACES ±	0.10			CHECKED BY	DATE			
			1 PLACE ±	0.3			MDICK	2011/12/19			
			0 PLACE ±				APPROVED BY	DATE			
			ANGULAR ± 3 °		DRAFT WHERE APPLICABLE MUST REMAIN WITHIN DIMENSIONS		MATERIAL NO.		DOCUMENT NO.		SHEET NO.
							SEE BOM		SD-33482-061		5 OF 9
THIS DRAWING CONTAINS INFORMATION THAT IS PROPRIETARY TO MOLEX INCORPORATED AND SHOULD NOT BE USED WITHOUT WRITTEN PERMISSION											

20 19 18 17 16 15 14 13 12 11 10 9 8 7 6 5 4 3 2 1

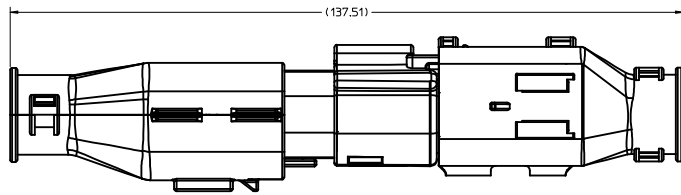
BACKSHELL
THE VIEWS ON THIS SHEET ARE
IN THE CLOSED UN-ASSEMBLED POSITION



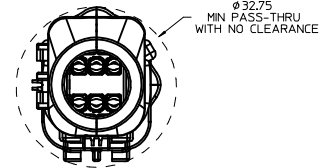
Partial X-X
SCALE 4:1

REVISED IEC NO. UAU2016-1297 DRAWN BY CHKD: APPR: JDENG02 2016/03/07 2016/03/07 DESCRIPTION	QUALITY SYMBOLS	GENERAL TOLERANCES (UNLESS SPECIFIED)	DIMENSION STYLE	SCALE	DESIGN UNITS	THIRD ANGLE PROJECTION
	∇=0 ∇=0 ∇=0	mm INCH 4 PLACES ± --- ± --- 3 PLACES ± --- ± --- 2 PLACES ± 0.10 ± --- 1 PLACE ± 0.3 ± --- 0 PLACE ± ±	MM ONLY	4:1	METRIC	DRAWN BY DATE MD LCK 2011/07/22 CHECKED BY DATE MD LCK 2011/12/19 APPROVED BY DATE
MATERIAL NO. SEE BOM	ANGULAR ± 3 ° DRAFT WHERE APPLICABLE MUST REMAIN WITHIN DIMENSIONS	TITLE MX150 2X3 BLADE SEALED ASSEMBLY MAT SEAL		DOCUMENT NO. SD-33482-061	SHEET NO. 6 OF 9	SIZE D THIS DRAWING CONTAINS INFORMATION THAT IS PROPRIETARY TO MOLEX INCORPORATED AND SHOULD NOT BE USED WITHOUT WRITTEN PERMISSION

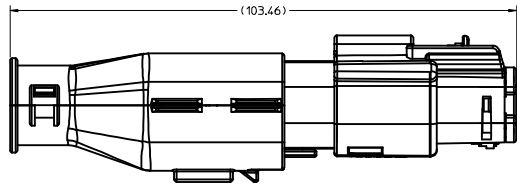
19 18 17 16 15 14 13 12 11 10 9 8 7 6 5 4 3 2 1



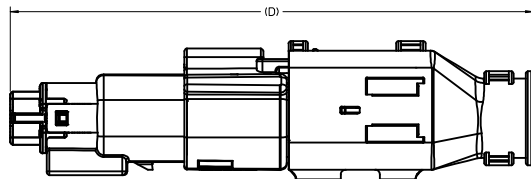
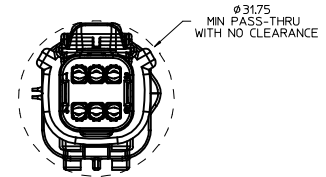
OVERALL MATED SYSTEM WITH BLADE AND RECEPTACLE BACKSHELL



BACKSHELL CONFIGURATIONS

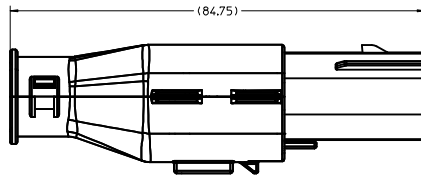
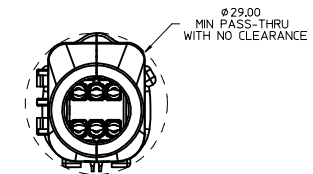


OVERALL MATED SYSTEM WITH BLADE BACKSHELL

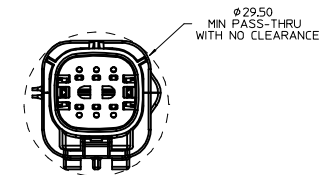


OVERALL MATED SYSTEM WITH RECEPTACLE BACKSHELL

CHARTED DIMENSIONS	
CONFIGURATION	D
MX150 2X3 BLADE SEALED ASSEMBLY - STANDARD	106.83
MX150 2X3 BLADE SEALED ASSEMBLY - LENGTHENED	108.71



BLADE SEALED ASSEMBLY WITH BLADE BACKSHELL



REVISED IEC NO. UAU2016-1297 DRAWN BY CHKD: APPR: JDENG02 2016/03/07 2016/03/07 DESCRIPTION	QUALITY SYMBOLS	GENERAL TOLERANCES (UNLESS SPECIFIED)	DIMENSION STYLE	SCALE	DESIGN UNITS	THIRD ANGLE PROJECTION																														
	$\nabla=0$ $\nabla=0$ $\nabla=0$	<table border="1"> <thead> <tr> <th></th> <th>mm</th> <th>INCH</th> </tr> </thead> <tbody> <tr> <td>4 PLACES</td> <td>± 0.10</td> <td>± 0.004</td> </tr> <tr> <td>3 PLACES</td> <td>± 0.15</td> <td>± 0.005</td> </tr> <tr> <td>2 PLACES</td> <td>± 0.20</td> <td>± 0.008</td> </tr> <tr> <td>1 PLACE</td> <td>± 0.30</td> <td>± 0.012</td> </tr> <tr> <td>0 PLACE</td> <td>± 0.40</td> <td>± 0.016</td> </tr> </tbody> </table>		mm	INCH	4 PLACES	± 0.10	± 0.004	3 PLACES	± 0.15	± 0.005	2 PLACES	± 0.20	± 0.008	1 PLACE	± 0.30	± 0.012	0 PLACE	± 0.40	± 0.016	<table border="1"> <thead> <tr> <th colspan="2">MM ONLY</th> </tr> </thead> <tbody> <tr> <td>DRAWN BY</td> <td>DATE</td> </tr> <tr> <td>MDICK</td> <td>2011/07/22</td> </tr> <tr> <td>CHECKED BY</td> <td>DATE</td> </tr> <tr> <td>MDICK</td> <td>2011/12/19</td> </tr> <tr> <td>APPROVED BY</td> <td>DATE</td> </tr> </tbody> </table>	MM ONLY		DRAWN BY	DATE	MDICK	2011/07/22	CHECKED BY	DATE	MDICK	2011/12/19	APPROVED BY	DATE	2:1	METRIC	
		mm	INCH																																	
	4 PLACES	± 0.10	± 0.004																																	
3 PLACES	± 0.15	± 0.005																																		
2 PLACES	± 0.20	± 0.008																																		
1 PLACE	± 0.30	± 0.012																																		
0 PLACE	± 0.40	± 0.016																																		
MM ONLY																																				
DRAWN BY	DATE																																			
MDICK	2011/07/22																																			
CHECKED BY	DATE																																			
MDICK	2011/12/19																																			
APPROVED BY	DATE																																			
MATERIAL NO. SEE BOM	DOCUMENT NO. SD-33482-061	SHEET NO. 7 OF 9																																		

MX150 2X3 BLADE SEALED ASSEMBLY MAT SEAL

molex

ASSEMBLY DESCRIPTION	ASSEMBLY PART NUMBER	A	B	C	D	C	D	GC	GCL	1	2	3	4	5	6
KEY D, STONE GRAY	33482-0643							D	GC				3	4	
KEY C, DARK GRAY	33482-0642							C	GC				3	4	
KEY D, STONE GRAY	33482-0641							D	GC				3		
KEY A, BLACK	33482-0640	A							GC				4		
KEY A W/ LENGTHENED CAP, BLACK	33482-0639	A							GCL	1	2	3	4	5	6
KEY C, DARK GRAY	33482-0638							C	GC				3		
KEY A, BLACK	33482-0637	A							GC			2			6
KEY A W/ LENGTHENED CAP, BLACK	33482-0636	A							GCL				3		
KEY C W/ LENGTHENED CAP, DARK GRAY	33482-0635							C	GC				3		
KEY D W/ LENGTHENED CAP, STONE GRAY	33482-0634							D	GC						
KEY C W/ LENGTHENED CAP, DARK GRAY	33482-0633							C	GC						
KEY B W/ LENGTHENED CAP, LIGHT GRAY	33482-0632		B						GCL						
KEY A W/ LENGTHENED CAP, BLACK	33482-0631	A							GCL						
KEY A, BLACK	33482-0630	A							GC				3		6
KEY D, STONE GRAY	33482-0629							D	GC						
KEY C, DARK GRAY	33482-0628							C	GC						
KEY A, BLACK	33482-0627	A							GC			2	3		5 6
KEY A, BLACK	33482-0626	A							GC	1	2	3	4		
KEY B, LIGHT GRAY	33482-0625		B						GC	1				5	
KEY A, BLACK	33482-0624	A							GC						6
KEY A, BLACK	33482-0623	A							GC					5	
KEY A, BLACK	33482-0622	A							GC				4	5	6
KEY A, BLACK	33482-0621	A							GC	1				4	5
KEY A, BLACK	33482-0620	A							GC	1	2	3	4	5	6
KEY A, BLACK	33482-0619	A							GC		2	3	4	5	
KEY A, BLACK	33482-0618	A							GC					5	6
KEY A, BLACK	33482-0617	A							GC		2				
KEY A, BLACK	33482-0616	A							GC				3		
VOID KEY	33482-0615														
KEY D, GREEN	33482-0614							D	GC				3	4	
KEY C, BROWN	33482-0613							C	GC				3	4	
KEY B, LIGHT GRAY	33482-0612		B						GC				3	4	
KEY A, BLACK	33482-0611	A							GC				3	4	
VOID KEY	33482-0610														
KEY D, GREEN	33482-0609							D	GC				3		
KEY C, BROWN	33482-0608							C	GC				3		
KEY B, LIGHT GRAY	33482-0607		B						GC				3		
KEY A, BLACK	33482-0606	A							GC				3		
VOID KEY	33482-0605														
KEY D, GREEN	33482-0604							D	GC						
KEY C, BROWN	33482-0603							C	GC						
KEY B, LIGHT GRAY	33482-0602		B						GC						
KEY A, BLACK	33482-0601	A							GC						

PLANNED OBSOLESCECE
SEE DRAWING SD-33482-0002
FOR REPLACEMENT P/N

REPLACEMENT P/N'S ARE:
33482-06XX TO 33482-36XX

34950-0610

34950-0620

DESCRIPTION	COLOR	MATERIAL
STANDARD PLR	NATURAL	SPS/NYLON GF20
MAT SEAL	BURNT ORANGE	INHERENTLY LUBRICATED SILICONE
GROMMET CAP, LENGTHENED	BLACK	SPS/NYLON GF20
GROMMET CAP, STANDARD	BLACK	SPS/NYLON GF20
HOUSING KEYING OPTION D	STONE GRAY	SPS/NYLON GF20
HOUSING KEYING OPTION C	DARK GRAY	SPS/NYLON GF20
HOUSING KEYING OPTION D	GREEN	SPS/NYLON GF20
HOUSING KEYING OPTION C	BROWN	SPS/NYLON GF20
HOUSING KEYING OPTION B	LIGHT GRAY	SPS/NYLON GF20
HOUSING KEYING OPTION A	BLACK	SPS/NYLON GF20

ABREVIATION	COMPONENT
A	HOUSING KEY A
B	HOUSING KEY B
C	HOUSING KEY C
D	HOUSING KEY D
GC	GROMMET CAP, STANDARD
GCL	GROMMET CAP, LENGTHENED
M	MAT SEAL
P	PLR, STANDARD
BKS	BACKSHELL

BLOCKED TERMINAL
CAVITY WITH A NUMBER INDICATES BLOCKED TERMINAL POSITION
CAVITY WITHOUT A NUMBER INDICATES OPEN TERMINAL POSITION

STATUS

COMMENTS

BACKSHELL WITH RIBS

BACKSHELL WITHOUT RIBS

OPTIONAL ATTACHMENTS SOLD SEPARATELY

BOM/APPLICABLE COMPONENTS TABLE

REVISED EEC NO. UAU2016-1297 DRAWN BY CHYK APPR: JDEB02 2016/03/07 DESCRIPTION AB	QUALITY SYMBOLS	GENERAL TOLERANCES (UNLESS SPECIFIED)	DIMENSION STYLE	SCALE	DESIGN UNITS	THIRD ANGLE PROJECTION
	▽=0	4 PLACES ± mm	MM ONLY	DATE	METRIC	MX150 2X3 BLADE SEALED ASSEMBLY MAT SEAL molex DOCUMENT NO. SD-33482-061 SHEET NO. 8 OF 9
	▽=0	3 PLACES ± 0.10	INCH	DATE		
	▽=0	2 PLACES ± 0.3		DATE		
	1 PLACE ±					
		ANGULAR ± 3°	MATERIAL NO.			
		DRAFT WHERE APPLICABLE MUST REMAIN WITHIN DIMENSIONS	SEE BOM			

ASSEMBLY DESCRIPTION	ASSEMBLY PART NUMBER	A	B	C	D	C	D	A	GC	GCL	1	2	3	4	5	6	STATUS	COMMENTS	BACKSHELL WITH RIBS	BACKSHELL WITHOUT RIBS			
KEY A, BLACK	33482-0653	A							GC			2			5		PLANNED OBSOLESCENCE SEE DRAWING SD-33482-0002 FOR REPLACEMENT P/N	REPLACEMENT P/N'S ARE: 33482-06XX TO 33482-36XX	34950-0610	34950-0620			
KEY A, BLACK	33482-0652	A							GC		1				6								
KEY A, BLACK	33482-0651	A							GC			2		4	6								
KEY A, BLACK	33482-0650	A							GC		1		3		5								
KEY A, BLACK	33482-0649	A							GC					4	6								
KEY C, DARK GRAY	33482-0648				C				GC						6								
KEY B, LIGHT GRAY	33482-0647		B						GC			2	3										
KEY A, BLACK	33482-0646	A							GC			2	3										
KEY A, BLACK	33482-0645	A							GC				3	4	5	6							
KEY A, YELLOW	33482-0644	A						A	GC														
		A	B	C	D	C	D	A	GC	GCL	1	2	3	4	5	6							
											BLOCKED TERMINAL												
											CAVITY WITH A NUMBER INDICATES BLOCKED TERMINAL POSITION												
											CAVITY WITHOUT A NUMBER INDICATES OPEN TERMINAL POSITION												
											OPTIONAL ATTACHMENTS SOLD SEPARATELY												

STANDARD PLR	NATURAL	SPS/NYLON GF20
MAT SEAL	BURNT ORANGE	INHERENTLY LUBRICATED SILICONE
GROMMET CAP, LENGTHENED	BLACK	SPS/NYLON GF20
GROMMET CAP, STANDARD	BLACK	SPS/NYLON GF20
HOUSING KEYING OPTION A	YELLOW	SPS/NYLON GF20
HOUSING KEYING OPTION D	STONE GRAY	SPS/NYLON GF20
HOUSING KEYING OPTION C	DARK GRAY	SPS/NYLON GF20
HOUSING KEYING OPTION D	GREEN	SPS/NYLON GF20
HOUSING KEYING OPTION C	BROWN	SPS/NYLON GF20
HOUSING KEYING OPTION B	LIGHT GRAY	SPS/NYLON GF20
HOUSING KEYING OPTION A	BLACK	SPS/NYLON GF20
DESCRIPTION	COLOR	MATERIAL
BOM/APPLICABLE COMPONENTS TABLE		

ENTER DESCRIPTION IEC NO. UAU2016-1297 DRAWN BY: 2016/03/07 CHKD: 2016/03/07 APPR: JDEMOZ REVISION: AB	QUALITY SYMBOLS	GENERAL TOLERANCES (UNLESS SPECIFIED)	DIMENSION STYLE	SCALE	DESIGN UNITS	THIRD ANGLE PROJECTION
	▽=0	mm INCH	MM ONLY	2:1	METRIC	☉
	▽=0	4 PLACES ± --- ± ---	DRAWN BY DATE			
	▽=0	3 PLACES ± 0.10 ± ---	MDICK 2011/07/22			
	2 PLACES ± 0.3 ± ---	CHECKED BY DATE				
	1 PLACE ± --- ± ---	MDICK 2011/12/19				
	0 PLACE ± --- ± ---	APPROVED BY DATE				
	ANGULAR ± 3 °	MATERIAL NO.	SEE BOM			
	DRAFT WHERE APPLICABLE MUST REMAIN WITHIN DIMENSIONS	DOCUMENT NO.	SD-33482-061			
		SHEET NO.	9 OF 9			