

CUSTOMER DRAWING

PART NUMBER: DCP-USBAX-SC SERIES

MFG. ENG.	APPROVED BY:	DATE:	APPROVED BY:	DATE:
	QA			

- NOTES:**
- DCP-USBAX-SC SHOWN IN EXPLODED VIEW. (USB A 2.0 RECEPTACLE TO PCB HOLES WITH QUICK CONNECT COUPLING.)
 - THE USB 2.0 RECEPTACLE STYLE IS TYPE "A".
 - THE DIMENSION DOES NOT INCLUDE GASKET COMPRESSION.
 - THE PCB PINOUT AND DIMENSIONS ARE TYPICAL FOR ALL VERSIONS.
 - UNLESS OTHERWISE SPECIFIED, DIMENSIONS WITH TWO DECIMAL PLACES HAVE TOLERANCES OF ± 0.02 [± 0.5 mm].

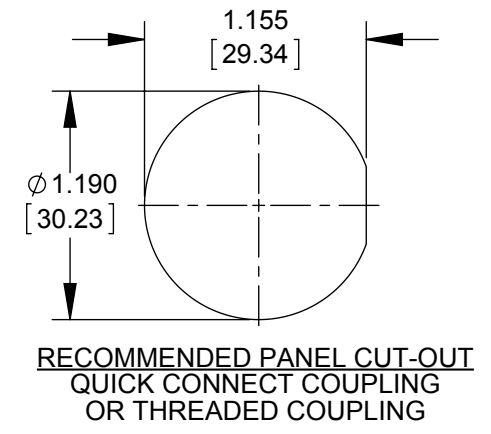
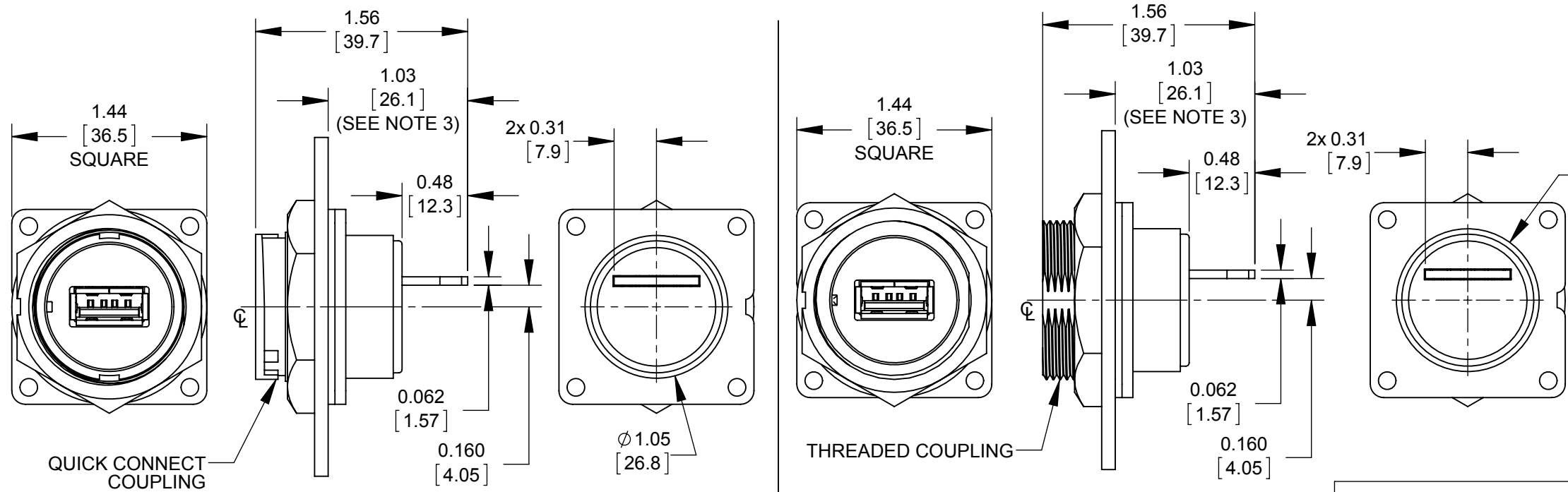
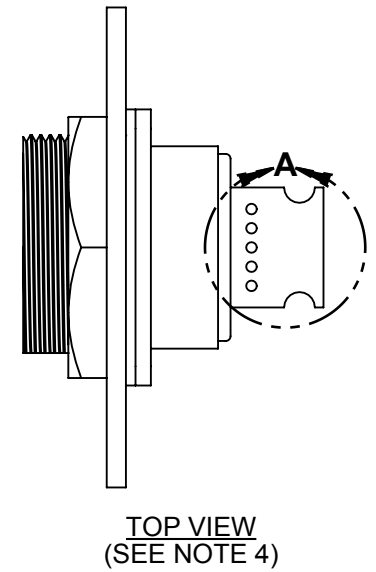
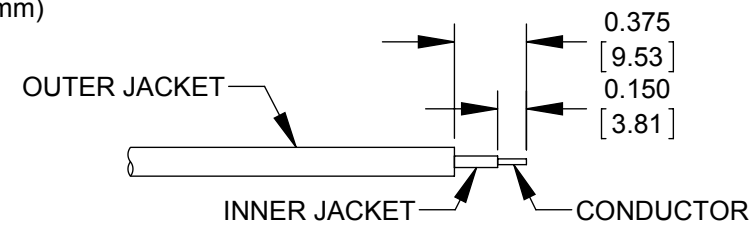
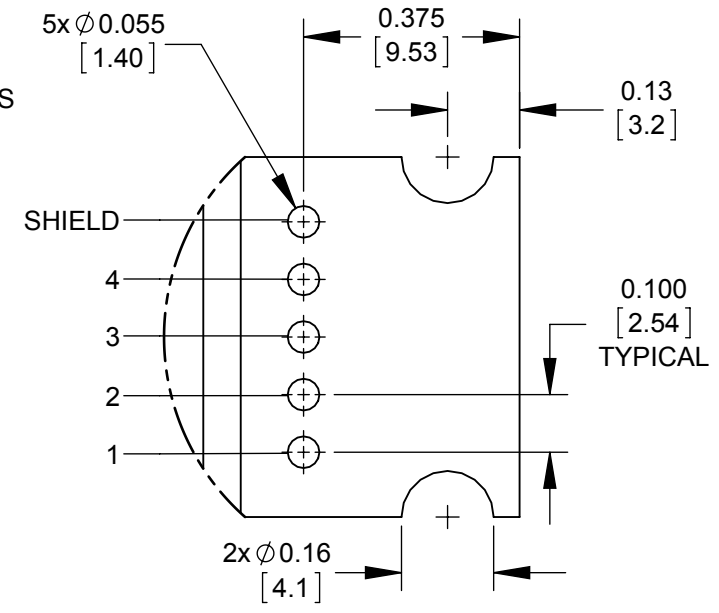
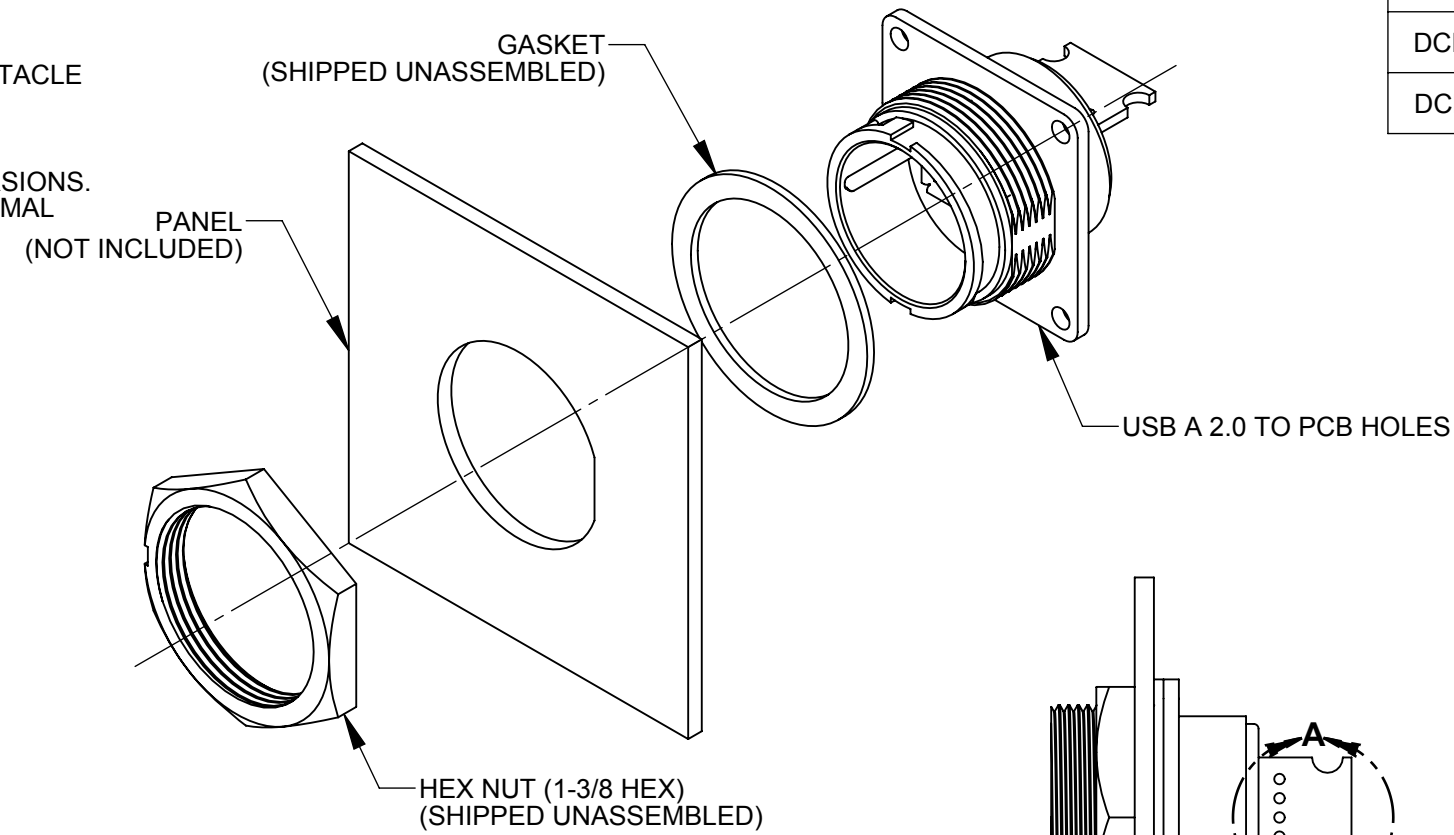
- MATERIALS:**
- GASKET: ELASTOMER, BLACK
 - HEX NUT: THERMOPLASTIC, BLACK
 - USB PANEL HOUSING: THERMOPLASTIC, BLACK
 - USB RECEPTACLE:
 - SHELL: COPPER ALLOY, TIN PLATED
 - CONTACTS: COPPER ALLOY, GOLD PLATED
 - INSULATOR: THERMOPLASTIC, WHITE
 - PCB: FR-4

- ELECTRICAL:**
- CURRENT RATING: 1.5 A MINIMUM
 - CONTACT RESISTANCE: 30 MILLIOHMS MAXIMUM
 - INSULATION RESISTANCE: 1000 MEGAOHMS MINIMUM
 - DIELECTRIC WITHSTANDING VOLTAGE: 500V AC

PRODUCT RATING:
IP-67 & IP-68, NEMA 250 (6P), WHEN MATED

- OTHER:**
- OPERATING TEMPERATURE: -25°C TO $+85^{\circ}\text{C}$ [-13°F TO $+185^{\circ}\text{F}$]
 - RECOMMENDED PANEL THICKNESS:
 - QUICK CONNECT COUPLING: 1/32" TO 3/16" (0.8mm to 4.8mm)
 - THREADED COUPLING: 1/32" TO 5/32" (0.8mm to 3.9mm)

PART NUMBER	COUPLING TYPE	DESCRIPTION
DCP-USBAX-SC	QUICK CONNECT	USB A 2.0 TO PCB HOLES
DCP-USBAT-SC	THREADED	USB A 2.0 TO PCB HOLES



DIMENSIONS IN BRACKET [] ARE METRIC.

RoHS COMPLIANT

PRELIMINARY **CUSTOMER DRAWING**

0A	JGK	9/24/14	DRAWING CREATED PER PDR #14007, QUOTE #100113 & #100167.
REV.	INIT.	DATE	DESCRIPTION
	JGK	9/24/14	ORIG. DRAWN BY: DATE: 9/24/14
CHECKED BY:			 601 E. WILDWOOD VILLA PARK, IL 60181
APPROVED BY:			
TITLE:			USB A PANEL CONNECTOR
CUSTOMER:			STANDARD PRODUCT
SCALE	SIZE	SHEET	
1:1	B	1 OF 1	
FILE:	DIRECTORY:	PART NUMBER:	REV
SAME AS P/N	SLW	DCP-USBAX-SC SERIES	0A

ALL INFORMATION ILLUSTRATED IS THE PROPERTY OF CONXALL CORPORATION. UNAUTHORIZED DUPLICATION OR DISTRIBUTION OF THIS DOCUMENT IS PROHIBITED.

ALL UNITS ARE IN FEET, INCHES, FRACTION OF INCHES AND DECIMALS.

UNLESS OTHERWISE SPECIFIED TOLERANCES: 3 PLACE DECIMALS ±.005 ANGLES ±1° FRACTIONS ±1/16

CRITICAL CHARACTERISTIC FLAG PER SPEC. XXXX