

CUSTOMER PRINT

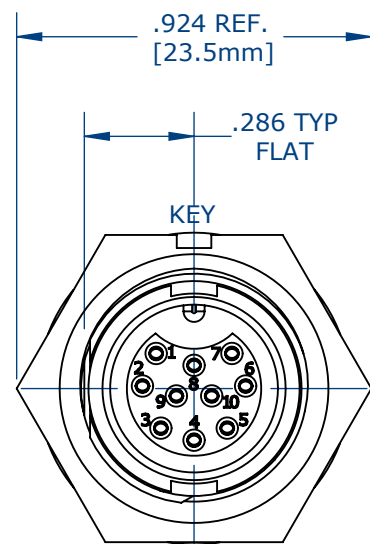
W7883-10SG-3XX

PART NUMBER:

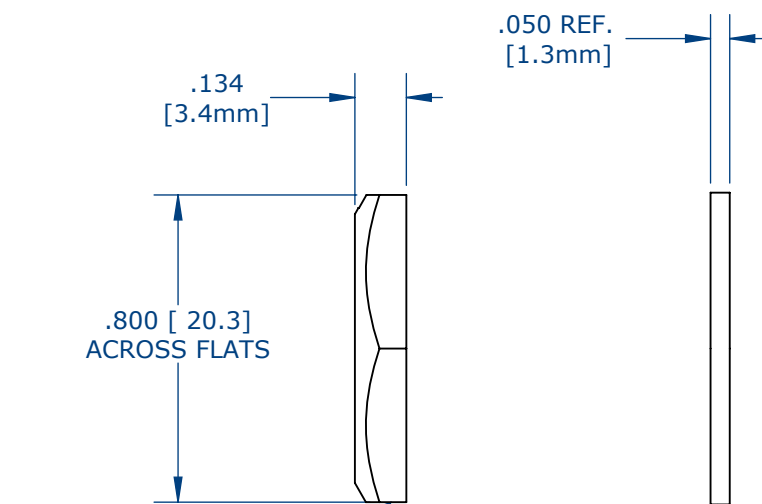
NOTES:

1. PC TAIL CONTACTS ARE INSTALLED INTO CONNECTOR (SHOWN)
2. ALL DIMENSIONS ARE FOR REFERENCE.

ASS'Y P/N	EPOXY
X7881-10SG-300	NO
X7881-10SG-3ES	YES



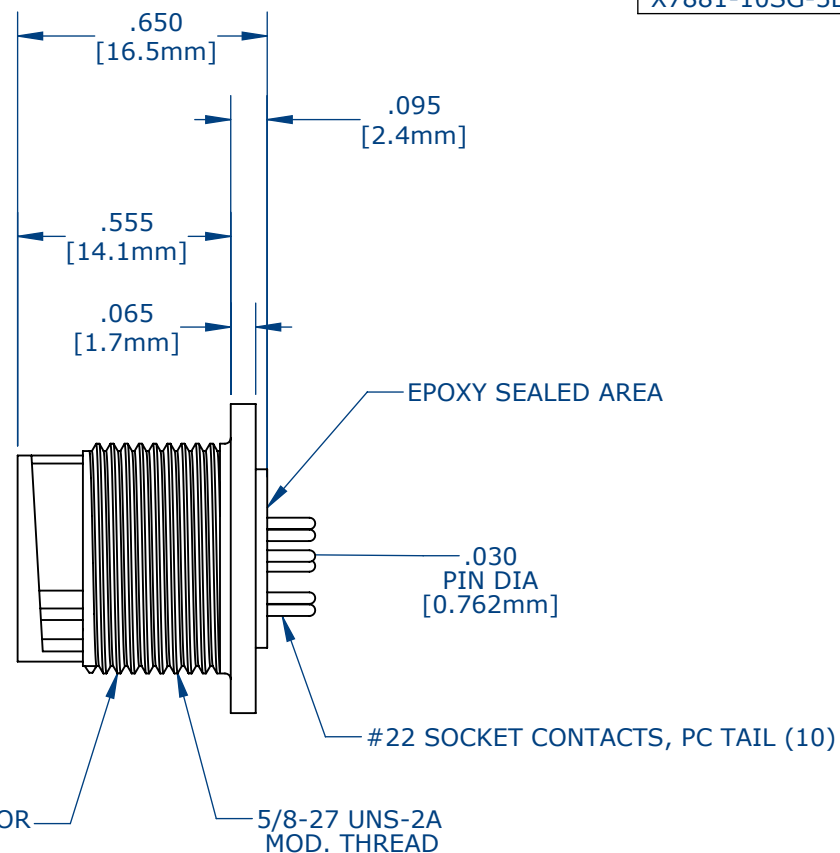
FACE VIEW
W7881-10SG-300 SHOWN



HEX NUT
0.924IN ACROSS EDGE

RUBBER GASKET

PANEL CONNECTOR

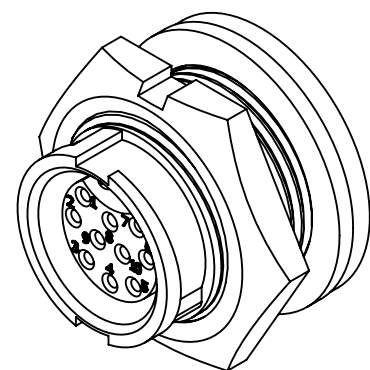


EPOXY SEALED AREA

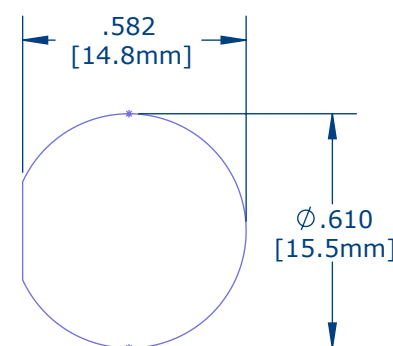
.030
PIN DIA
[0.762mm]

#22 SOCKET CONTACTS, PC TAIL (10)

5/8-27 UNS-2A
MOD. THREAD

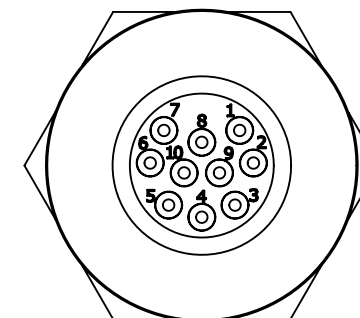


ASSEMBLED VIEW
FOR CUSTOMER REFERENCE



RECOMMENDED
PANEL CUT-OUT
TOLERANCE: ±.003

WIRE VIEW



CUSTOMER DRAWING

CUSTOMER APPROVAL

THIS DOCUMENT CONTAINS CONFIDENTIAL INFORMATION PROPRIETARY TO CONXALL CORPORATION. ANY REPRODUCTION, DISCLOSURE, OR USE OF THIS DOCUMENT /INFORMATION IS EXPRESSLY PROHIBITED UNLESS AUTHORIZED IN WRITING BY CONXALL CORPORATION.

APPROVED BY: _____

DATE: _____

0A	AM	04/05/16	FIRST DRAWN
REV.	INIT.	DATE	DESCRIPTION
			ORIG. DRAWN BY: AM DATE: 04/05/16
<small>ALL INFORMATION ILLUSTRATED IS THE PROPERTY OF "CONXALL CORPORATION." UNAUTHORIZED DUPLICATION OR DISTRIBUTION OF THIS DOCUMENT IS PROHIBITED.</small>			<p>601 E. WILDWOOD VILLA PARK, IL 60181</p>
<small>ALL UNITS ARE IN FEET, INCHES, FRACTION OF INCHES AND DECIMALS.</small>			
<small>UNLESS OTHERWISE SPECIFIED TOLERANCES: 3 PLACE DECIMALS ±.005 ANGLES ±1° FRACTIONS ±1/16</small>			TITLE: PANEL CONNECTOR ASSEMBLY (10) #22 SOCKET CONTACT, PC TAIL MINI-CON-X CUSTOMER: STANDARD PRODUCT
SCALE	SIZE	SHEET	
NTS	B	1 OF 1	
FILE:	DIRECTORY:	PART NUMBER:	REV
	SLW	W7881-10SG-300	0A