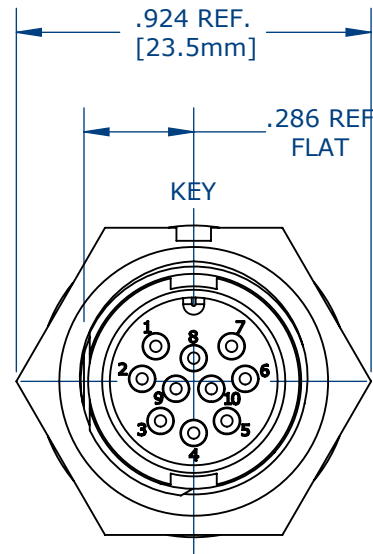


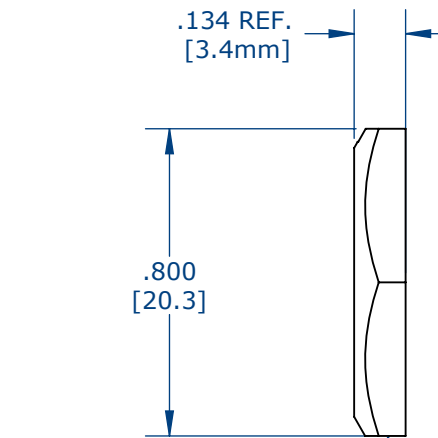
**NOTES:**

- SOLDER CUP PIN CONTACTS ARE INSTALLED (SHOWN).
- ALL DIMENSIONS ARE FOR REFERENCE.

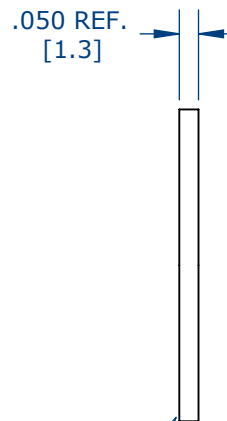
ASS'Y P/N	EPOXY
W7882-10PG-300	NO
W7882-10PG-3ES	YES



FACE VIEW  
W7882-10PG-300 SHOWN

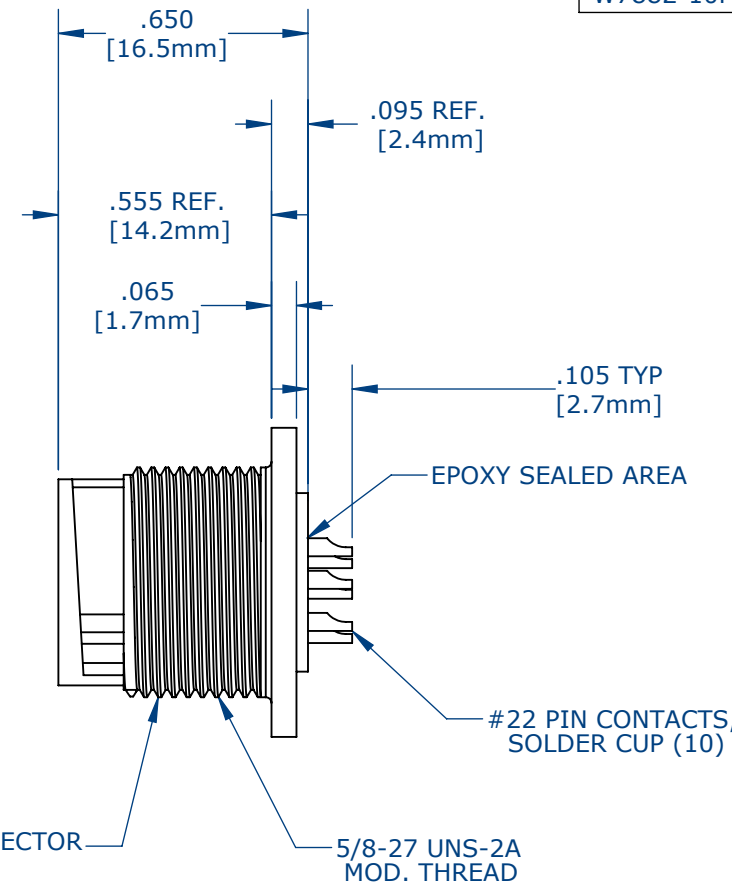


HEX NUT  
.924IN ACROSS EDGE

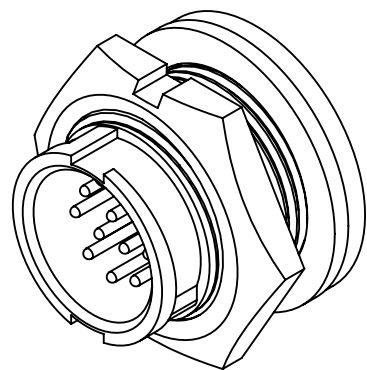


RUBBER GASKET

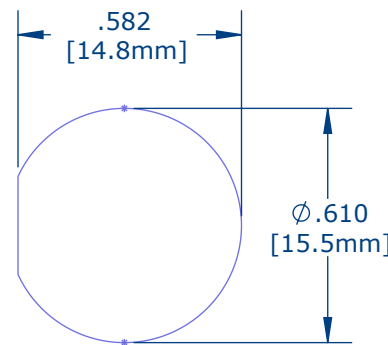
PANEL CONNECTOR



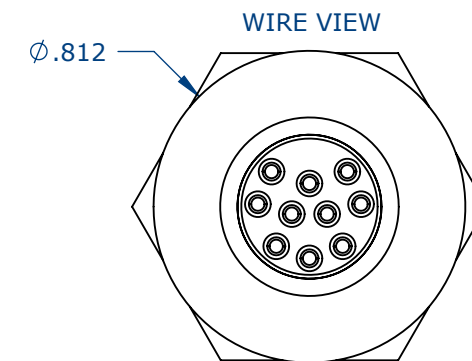
5/8-27 UNS-2A  
MOD. THREAD



ASSEMBLED VIEW  
FOR CUSTOMER REFERENCE



RECOMMENDED  
PANEL CUT-OUT  
TOLERANCE: ±.003



WIRE VIEW

CUSTOMER DRAWING

**CUSTOMER APPROVAL**

THIS DOCUMENT CONTAINS CONFIDENTIAL INFORMATION PROPRIETARY TO CONXALL CORPORATION. ANY REPRODUCTION, DISCLOSURE, OR USE OF THIS DOCUMENT /INFORMATION IS EXPRESSLY PROHIBITED UNLESS AUTHORIZED IN WRITING BY CONXALL CORPORATION.

APPROVED BY: \_\_\_\_\_

DATE: \_\_\_\_\_

0A	AM	04/05/16	FIRST DRAWN
REV.	INIT.	DATE	DESCRIPTION
	AM	04/05/16	
<small>ALL INFORMATION ILLUSTRATED IS THE PROPERTY OF "CONXALL CORPORATION." UNAUTHORIZED DUPLICATION OR DISTRIBUTION OF THIS DOCUMENT IS PROHIBITED.</small>			<p>601 E. WILDWOOD VILLA PARK, IL 60181</p>
<small>ALL UNITS ARE IN FEET, INCHES, FRACTION OF INCHES AND DECIMALS.</small>			
<small>UNLESS OTHERWISE SPECIFIED TOLERANCES: 3 PLACE DECIMALS ±.005 ANGLES ±1° FRACTIONS ±1/16</small>			<b>TITLE:</b> PANEL CONNECTOR ASSEMBLY (10) #22 PIN CONTACT, SOLDER MINI-CON-X <b>CUSTOMER:</b> STANDARD PRODUCT
SCALE	SIZE	SHEET	
NTS	B	1 OF 1	
FILE:	DIRECTORY:	PART NUMBER:	REV
882-10PG-3XX-CDSLW		W7882-10PG-3XX	0A

CUSTOMER PRINT

PART NUMBER: W7882-10PG-3XX

REV: 0A