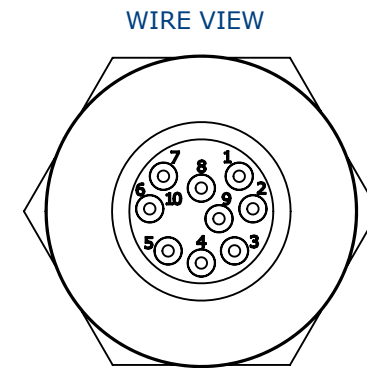
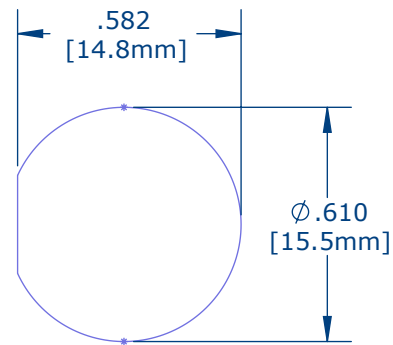
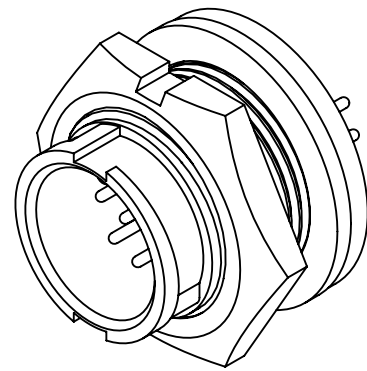
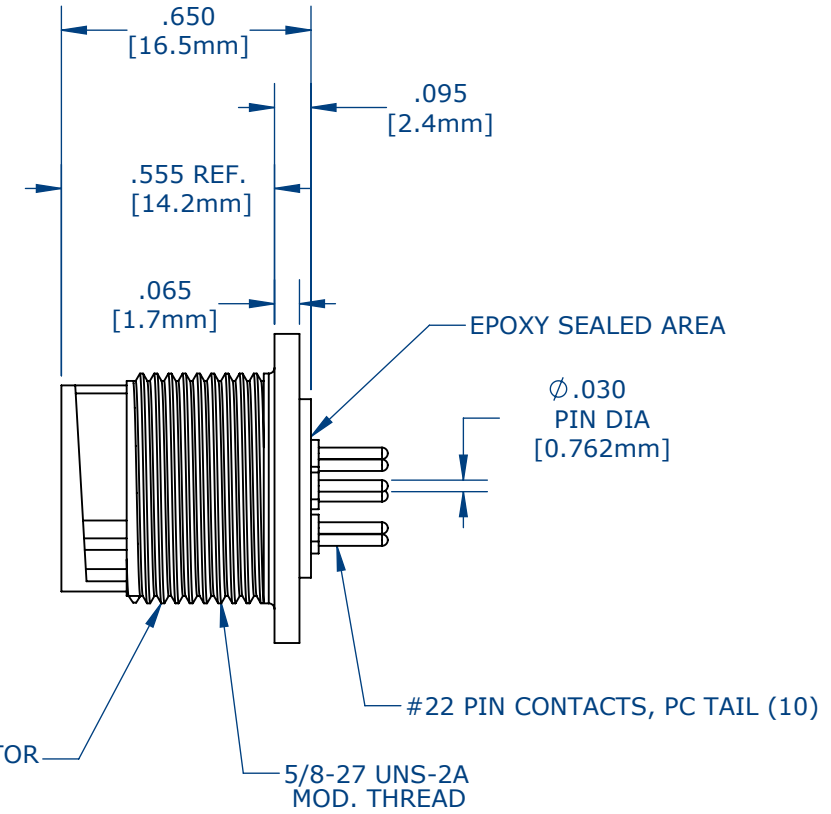
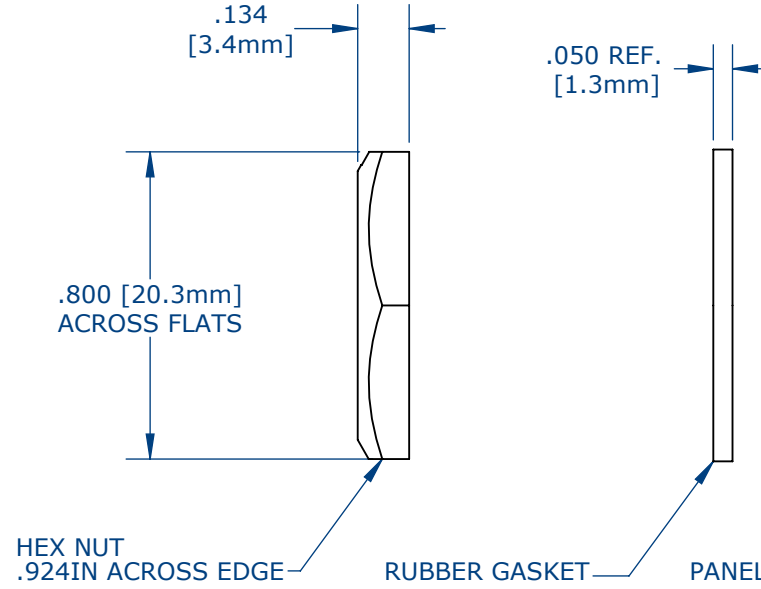
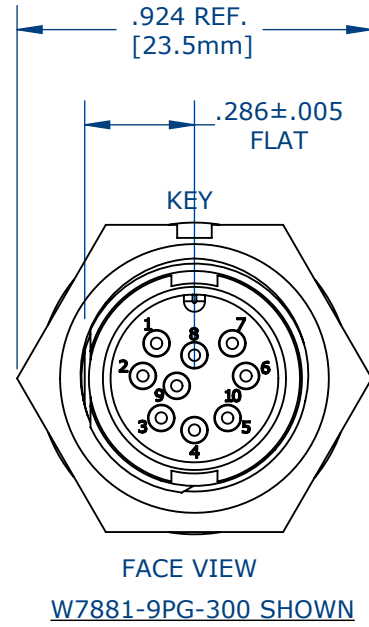


NOTES:

1. PC TAIL CONTACTS ARE INSTALLED INTO CONNECTOR (SHOWN)
2. ALL DIMENSIONS ARE FOR REFERENCE.

ASS'Y P/N	EPOXY
W7881-9PG-300	NO
W7881-9PG-3ES	YES



CUSTOMER APPROVAL

THIS DOCUMENT CONTAINS CONFIDENTIAL INFORMATION PROPRIETARY TO CONXALL CORPORATION. ANY REPRODUCTION, DISCLOSURE, OR USE OF THIS DOCUMENT /INFORMATION IS EXPRESSLY PROHIBITED UNLESS AUTHORIZED IN WRITING BY CONXALL CORPORATION.

APPROVED BY: _____

DATE: _____

CUSTOMER DRAWING

0A	AM	08/10/16	DRAWINGS CREATED PER PDR# 13015		
REV.	INIT.	DATE	DESCRIPTION		
	AM	08/10/16	ORIG. DRAWN BY: AM DATE: 08/10/16 CHECKED BY: APPROVED BY:		
ALL INFORMATION ILLUSTRATED IS THE PROPERTY OF "CONXALL CORPORATION." UNAUTHORIZED DUPLICATION OR DISTRIBUTION OF THIS DOCUMENT IS PROHIBITED.			601 E. WILDWOOD VILLA PARK, IL 60181 TITLE: PANEL CONNECTOR ASSEMBLY (9# 22 PIN CONTACT, PC TAIL MINI-CON-X) CUSTOMER: STANDARD PRODUCT		
ALL UNITS ARE IN FEET, INCHES, FRACTION OF INCHES AND DECIMALS. UNLESS OTHERWISE SPECIFIED TOLERANCES: 3 PLACE DECIMALS ±.005 ANGLES ±1° FRACTIONS ±1/16 - CRITICAL CHARACTERISTIC FLAG PER SPEC. XXXX					
SCALE	SIZE	SHEET	PART NUMBER: W7881-9PG-3XX		
NTS	B	1 OF 1	DIRECTORY:	SLW	REV 0A