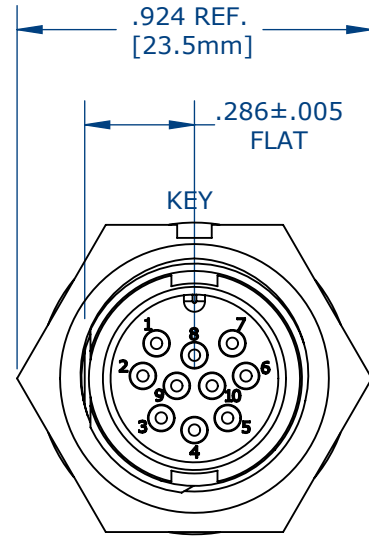


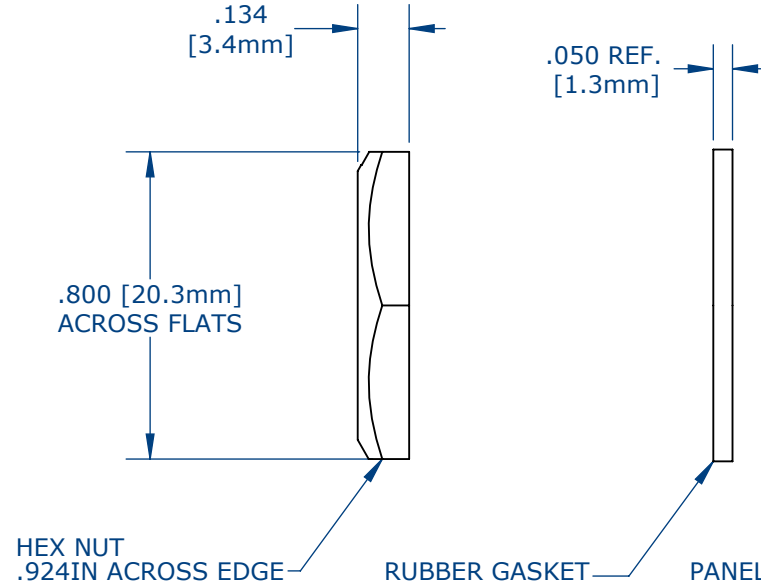
NOTES:

1. PC TAIL CONTACTS ARE INSTALLED INTO CONNECTOR (SHOWN)
2. ALL DIMENSIONS ARE FOR REFERENCE.

| ASS'Y P/N | EPOXY |
|----------------|-------|
| W7881-10PG-300 | NO |
| W7881-10PG-3ES | YES |



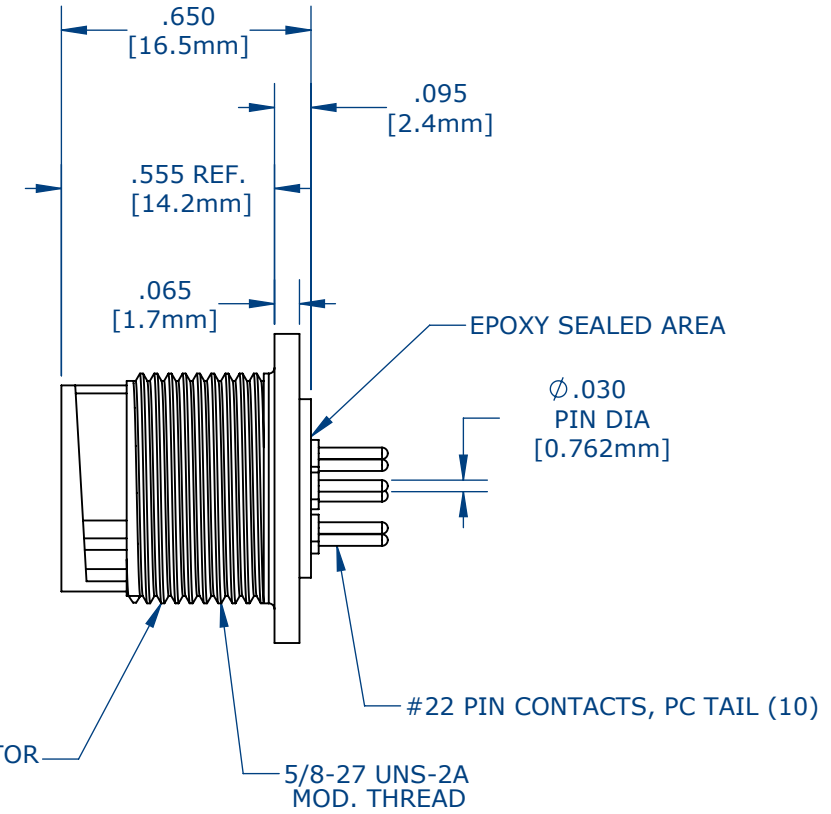
FACE VIEW
W7881-10PG-300 SHOWN



HEX NUT
.924IN ACROSS EDGE

RUBBER GASKET

PANEL CONNECTOR

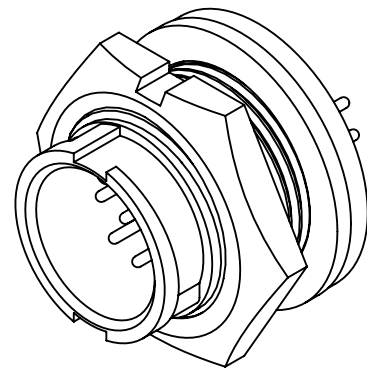


EPOXY SEALED AREA

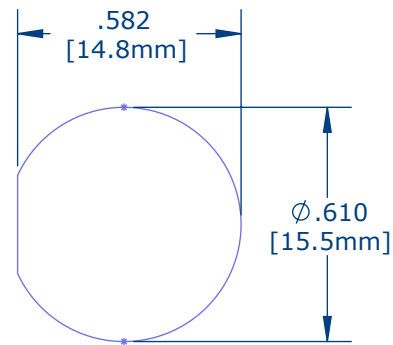
Ø .030
PIN DIA
[0.762mm]

#22 PIN CONTACTS, PC TAIL (10)

5/8-27 UNS-2A
MOD. THREAD

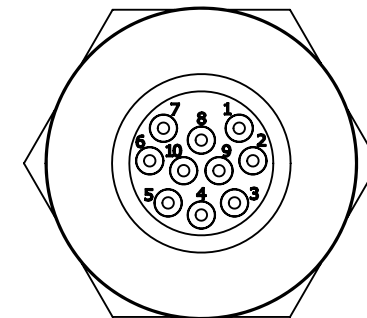


ASSEMBLED VIEW
FOR CUSTOMER REFERENCE



RECOMMENDED
PANEL CUT-OUT
TOLERANCE: ±.003

WIRE VIEW



CUSTOMER APPROVAL

THIS DOCUMENT CONTAINS CONFIDENTIAL INFORMATION PROPRIETARY TO CONXALL CORPORATION. ANY REPRODUCTION, DISCLOSURE, OR USE OF THIS DOCUMENT /INFORMATION IS EXPRESSLY PROHIBITED UNLESS AUTHORIZED IN WRITING BY CONXALL CORPORATION.

APPROVED BY: _____

DATE: _____

CUSTOMER DRAWING

| | | | | |
|--|------------|--------------|--|--------|
| 0A | AM | 04/04/16 | DRAWINGS CREATED PER PDR# 13015 | |
| REV. | INIT. | DATE | DESCRIPTION | |
| | AM | 04/04/16 | ORIG. DRAWN BY: DATE: AM 04/04/16 | |
| ALL INFORMATION ILLUSTRATED IS THE PROPERTY OF "CONXALL CORPORATION." UNAUTHORIZED DUPLICATION OR DISTRIBUTION OF THIS DOCUMENT IS PROHIBITED. | | | CHECKED BY: | |
| ALL UNITS ARE IN FEET, INCHES, FRACTION OF INCHES AND DECIMALS. UNLESS OTHERWISE SPECIFIED TOLERANCES: 3 PLACE DECIMALS ±.005 ANGLES ±1° FRACTIONS ±1/16 - CRITICAL CHARACTERISTIC FLAG PER SPEC. XXXX | | | APPROVED BY: | |
| SCALE | SIZE | SHEET | TITLE: PANEL CONNECTOR ASSEMBLY (10) #22 PIN CONTACT, PC TAIL MINI-CON-X | |
| NTS | B | 1 OF 1 | CUSTOMER: STANDARD PRODUCT | |
| FILE: | DIRECTORY: | PART NUMBER: | W7881-10PG-3XX | REV 0A |