

CUSTOMER PRINT

W8882-10SG-5XX

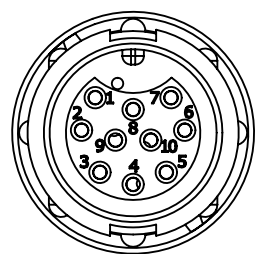
PART NUMBER:

NOTES:

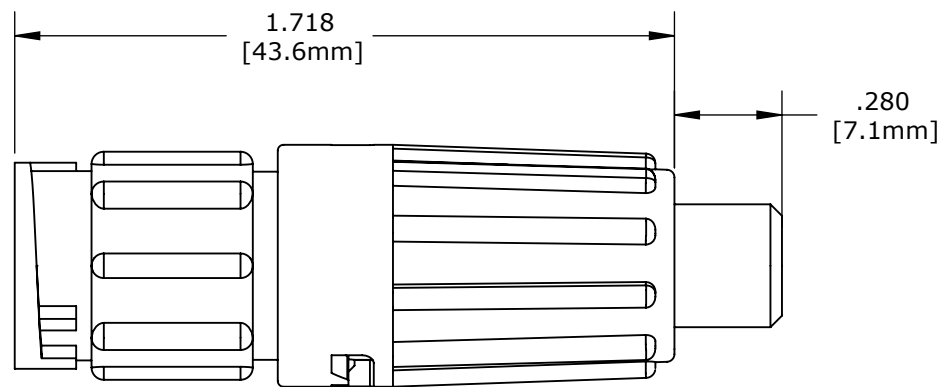
- CONTACTS ARE ASSEMBLED INTO CONNECTOR.
- PARTS ARE TO BE BAGGED AS A KIT.
- ALL DIMENSIONS ARE FOR REFERENCE ONLY.

KIT PART NO.	CABLE OD.
W8882-10SG-522	.220-.250 [5.6-6.4mm]
W8882-10SG-528	.265-.285 [6.7-7.2mm]

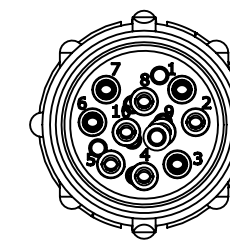
NO. OF CONTACTS — GROMMET SIZES



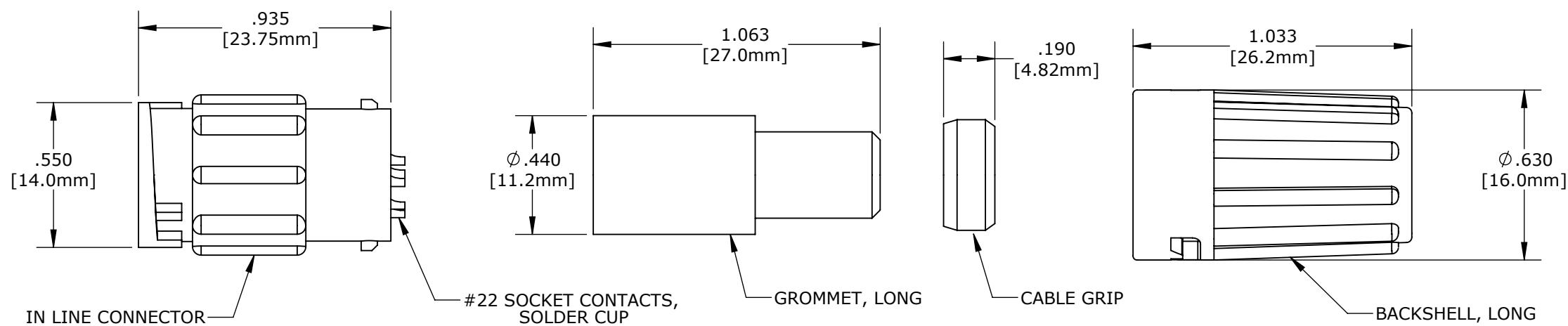
FACE VIEW



ASSEMBLED KIT VIEW
W8882-10SG-522 SHOWN



WIRE VIEW



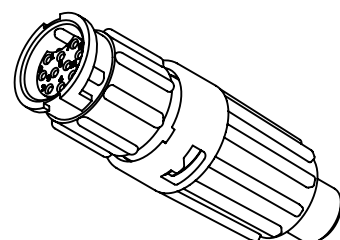
IN LINE CONNECTOR

#22 SOCKET CONTACTS, SOLDER CUP

GROMMET, LONG

CABLE GRIP

BACKSHELL, LONG



ASSEMBLED KIT FOR CUSTOMER REFERENCE

CUSTOMER APPROVAL

THIS DOCUMENT CONTAINS CONFIDENTIAL INFORMATION PROPRIETARY TO CONXALL CORPORATION. ANY REPRODUCTION, DISCLOSURE, OR USE OF THIS DOCUMENT /INFORMATION IS EXPRESSLY PROHIBITED UNLESS AUTHORIZED IN WRITING BY CONXALL CORPORATION.

APPROVED BY: _____

DATE: _____

CUSTOMER DRAWING

REV.	INIT.	DATE	DESCRIPTION
0A	AM	04/05/16	FIRST DRAWN
<small>ALL INFORMATION ILLUSTRATED IS THE PROPERTY OF CONXALL CORPORATION. UNAUTHORIZED DUPLICATION OR DISTRIBUTION OF THIS DOCUMENT IS PROHIBITED.</small>			ORIG. DRAWN BY: AM DATE: 04/05/16 CHECKED BY:
<small>ALL UNITS ARE IN FEET, INCHES, FRACTION OF INCHES AND DECIMALS.</small>			601 E. WILDWOOD VILLA PARK, IL 60181
<small>UNLESS OTHERWISE SPECIFIED TOLERANCES: 3 PLACE DECIMALS ±.005 ANGLES ±1° FRACTIONS ±1/16</small>			
APPROVED BY:		SCALE: NTS	SIZE: B
DATE:		SHEET: 1 OF 1	TITLE: IN-LINE CONNECTOR, KIT (10) #22 SOCKET CONTACT, SOLDER MINI-CON-X
FILE:	DIRECTORY: SLW	PART NUMBER: W8882-10SG-5XX	CUSTOMER: STANDARD PRODUCT
			REV 0A