

A turned brass single nut fixing panel socket available in nickel or gold plated finish. A choice of red or black insulator is useful for identification purposes.

- Single nut fixing makes these adaptable sockets suitable for stacking adjacent one another.
- Thermoplastic insulated.
- Maximum panel thickness 3mm
- Mounting holes 7.2mm diameter.
- A panel isolating kit is also available (comprising of a plain and stepped washer).

Material
Housing Brass
gold flash (0.05m)
or nickel plate

Socket Brass,
silver plated

Insulation Acetal

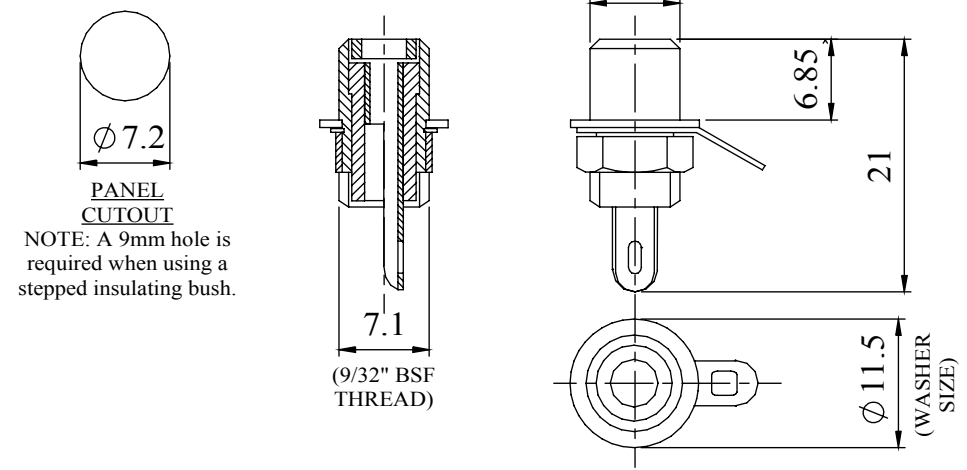
Nut Brass,
Gold flash (0.05m)
or nickel plate

Solder tag Brass,
Gold flash (0.05m)
or silver plate

Washer Noryl, black or red

Rating -
Rated Current: 5A.
Rated Voltage: 50V.
Insulation Resistance 100MΩ at 500 Vdc

Dimensions



Deltron Part No	NICKEL	GOLD
BLACK	431-0100	432-0100
RED	431-0500	432-0500