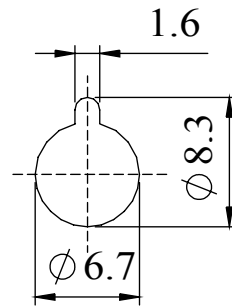
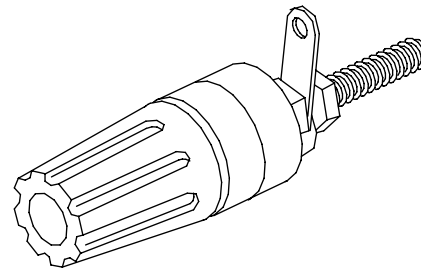
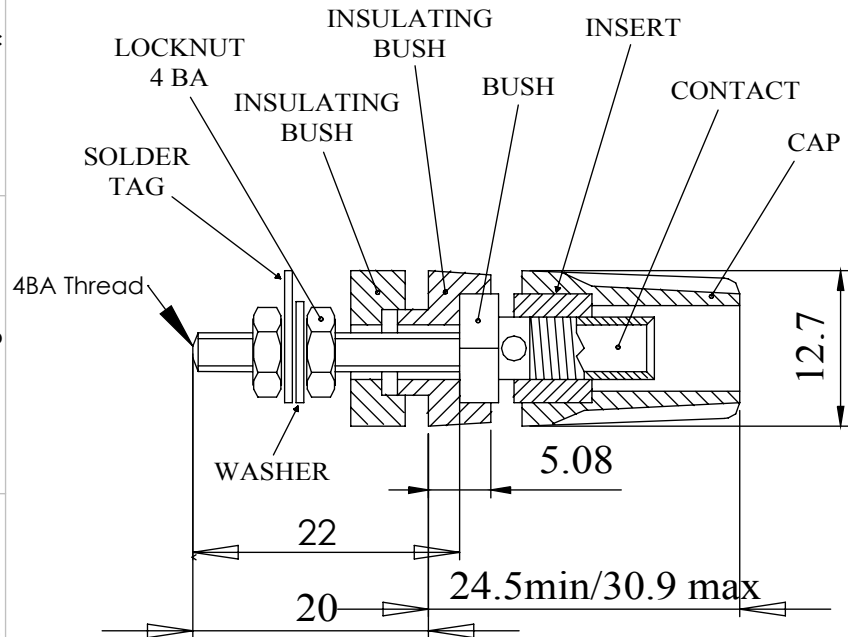


Insulated terminal binding post with a 4mm socket. Panel insulating bushes have a location keyway, maximum panel thickness 12,7mm. Threaded termination supplied with solder tag washer. Thread size 4BA (3.6mm or 0.141 inch)

Dimensions



PANEL CUT-OUT

MATERIAL

- CAP : Acetal
- CONTACT : Brass, bright nickel plate
- INSERT : Brass, bright nickel plate
- BUSH : Brass, bright nickel plate
- INSULATING BUSHES : Acetal
- LOCKNUT : Brass, bright nickel plate
- WASHER : Brass, bright nickel plate

- SOLDER TAG : Brass, silver plate

- Current Rating : 16 Amps
- Rated Voltage : 50V

COLOUR	ORDER CODE
BLACK	552-0100
BLUE	552-0200
BROWN	552-0300
GREEN	552-0400
RED	552-0500
WHITE	552-0600
YELLOW	552-0700

Tel No. +44(0)1724 273200 Website www.dem-uk.com



PROPRIETARY AND CONFIDENTIAL
 THE INFORMATION CONTAINED IN THIS DRAWING IS THE SOLE PROPERTY OF ALPHA 3 MANUFACTURING.
 ANY REPRODUCTION IN PART OR AS A WHOLE WITHOUT THE WRITTEN PERMISSION OF ALPHA 3 MANUFACTURING IS PROHIBITED.

DEM Manufacturing, Deltron Emcon House
 Hargreaves Way, Sawcliffe Ind. Park,
 Scunthorpe, North Lincolnshire, DN15 8RF, UK

UNLESS OTHERWISE SPECIFIED:
 DIMENSIONS ARE IN MILLIMETRES
 LINEAR TOLERANCE:
NO DECIMAL PLACES ±0.5mm
1 DECIMAL PLACE ±0.25mm
2 DECIMAL PLACES ±0.125mm
 ANGULAR TOLERANCE: ±1°

FINISH	INSULATED TERMINAL	DEBURR AND BREAK SHARP EDGES
IF IN DOUBT ASK DO NOT SCALE DRAWING		
MATERIAL	SEE NOTE	

DRAWN BY	SPB
APPROVED BY	WC
THIRD ANGLE PROJECTION	SHEET 1 OF 1
	SCALE 1:1
	A4

TITLE	GENERAL SPECIFICATION FOR 552 SERIES	
DRAWING NO.	552 SERIES	ISSUE 07
		Release