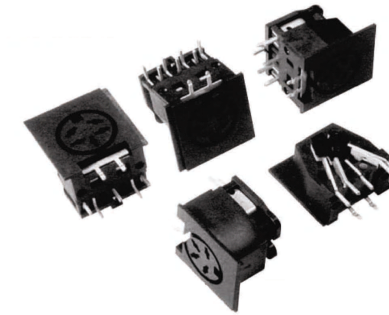


REV.	CNN	CNN DESCRIPTION	Date	Check in
09			11/10/2012	Shaun Barron
10	4487	671-0400 removed	23/09/2015	Shaun Barron

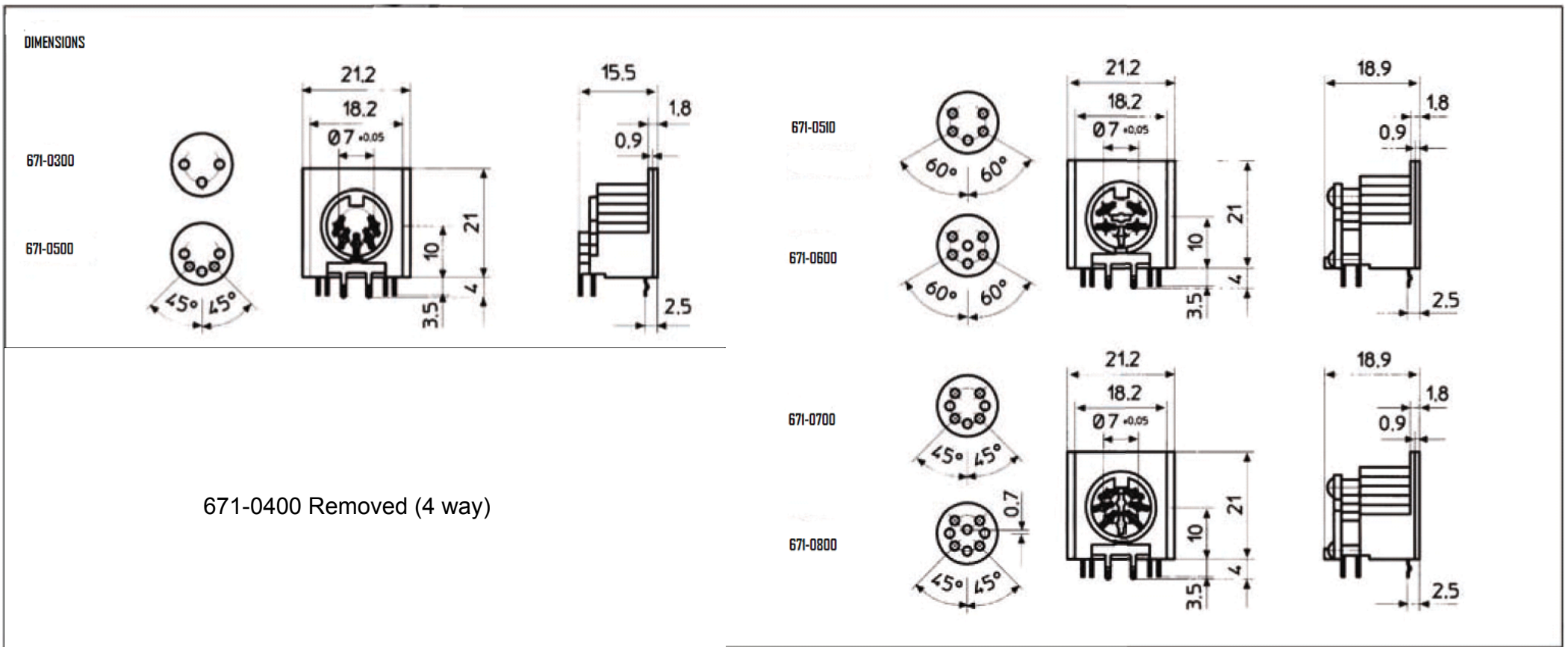
Printed circuit board - 90 Deg DIN Sockets - 671 Series
 A range of right-angled printed circuit board mounting DIN sockets which enable any DIN plug to be interfaced with a PCB

Material	Black PA66 UL94HB
Contacts	CuZn 37 + Ni +Sn
Electrical	
Rated Voltage	34 V a.c. or d.c.
Current Rating	4.A
Contact Resistance	10 mΩ max
Climatic	
Temperature Range	-25°C to +70°C

Type	Deltron No
3 Way	671-0300
5 Way 45°	671-0500
5 Way 60°	671-0510
6 Way 60°	671-0600
7 Way 45°	671-0700
8 Way 45°	671-0800



RoHS
2002/95/EC
Compliant



Tel No. +44(0)1724 273200 Website www.dem-uk.com



PROPRIETARY AND CONFIDENTIAL
 THE INFORMATION CONTAINED IN THIS DRAWING IS THE SOLE PROPERTY OF ALPHA 3 MANUFACTURING.
 ANY REPRODUCTION IN PART OR AS A WHOLE WITHOUT THE WRITTEN PERMISSION OF ALPHA 3 MANUFACTURING IS PROHIBITED.
 DEM Manufacturing, Deltron Emcon House
 Hargreaves Way, Sawcliffe Ind. Park,
 Scunthorpe, North Lincolnshire, DN15 8RF, UK

UNLESS OTHERWISE SPECIFIED:
 DIMENSIONS ARE IN MILLIMETRES.
 TOLERANCE:
 NO DECIMAL PLACES ±0.2mm
 1 DECIMAL PLACE ±0.1mm
 2 DECIMAL PLACES ±0.05mm
 ANGULAR TOLERANCE: ±1°

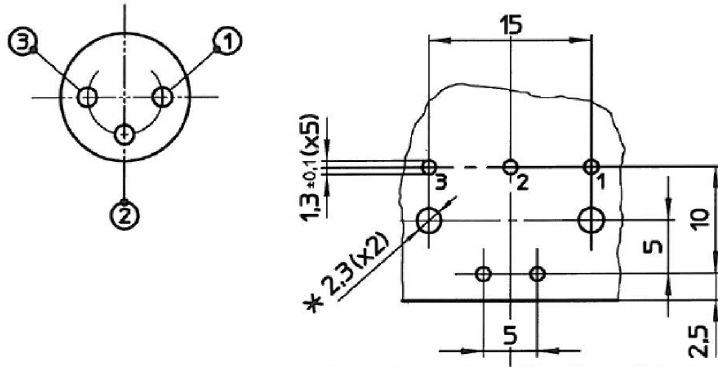
FINISH
 DEBURR AND BREAK SHARP EDGES
 IF IN DOUBT ASK DO NOT SCALE DRAWING
 MATERIAL

DRAWN BY W.Coxon
 APPROVED BY
 THIRD ANGLE PROJECTION

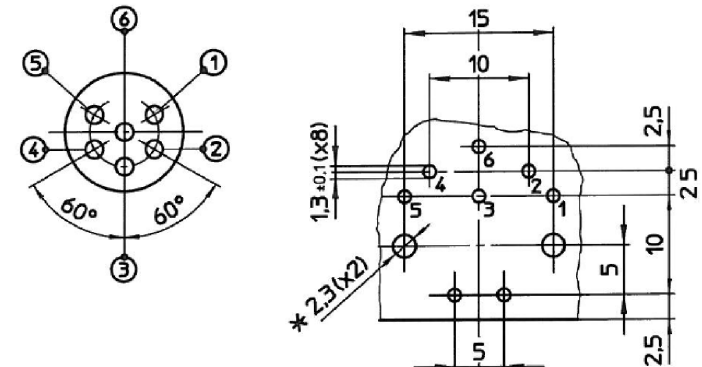
SHEET 1 OF 2
 SCALE 1:2
 A4

TITLE PCB - DIN Sockets
 General Specification
 671 Series
 DRAWING NO. 671 DIN Specification
 ISSUE 10
 Release

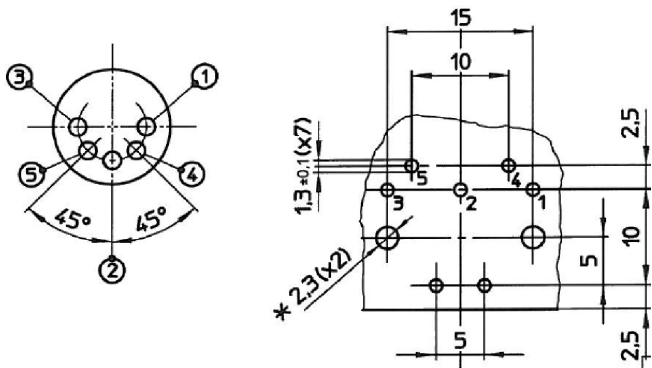
671-0300 Foot Print



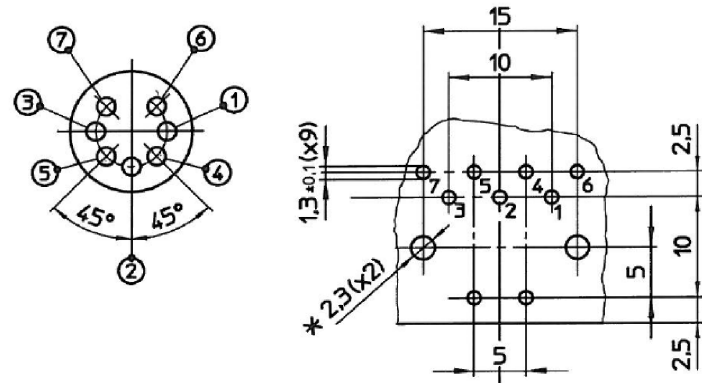
671-0600 Foot Print



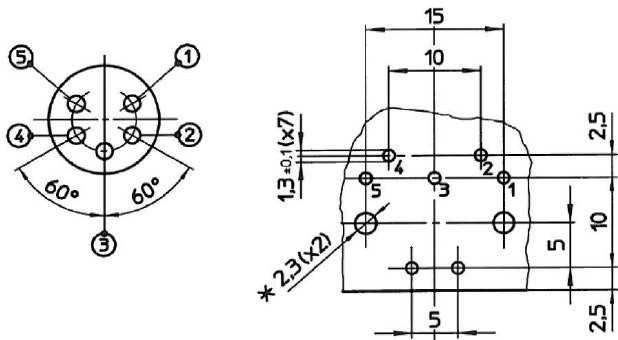
671-0500 Foot Print



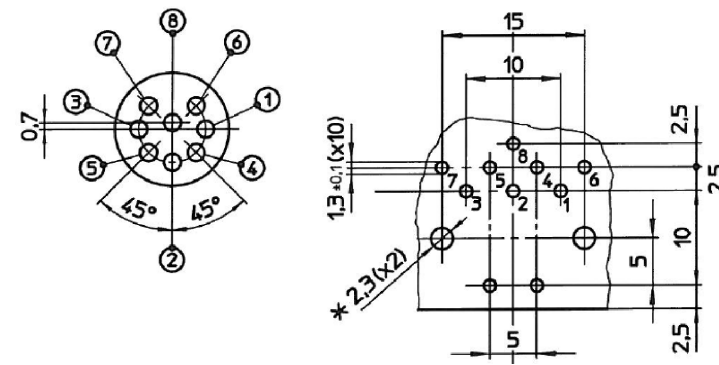
671-0700 Foot Print



671-0510 Foot Print



671-0800 Foot Print



Tel No. +44(0)1724 273200 Website www.dem-uk.com



PROPRIETARY AND CONFIDENTIAL
 THE INFORMATION CONTAINED IN THIS DRAWING IS THE SOLE PROPERTY OF
ALPHA 3 MANUFACTURING.
 ANY REPRODUCTION IN PART OR AS A WHOLE WITHOUT THE WRITTEN PERMISSION OF
 ALPHA 3 MANUFACTURING IS PROHIBITED.
DEM DEM Manufacturing, Deltron Emcon House
 Hargreaves Way, Sawcliffe Ind. Park,
 Scunthorpe, North Lincolnshire, DN15 8RF, UK

UNLESS OTHERWISE SPECIFIED:
 DIMENSIONS ARE IN MILLIMETRES.
 TOLERANCE:
NO DECIMAL PLACES ±0.2mm
1 DECIMAL PLACE ±0.1mm
2 DECIMAL PLACES ±0.05mm
ANGULAR TOLERANCE: ±1°

FINISH
 DEBURR AND BREAK SHARP EDGES
 IF IN DOUBT ASK
 DO NOT SCALE DRAWING
 MATERIAL

DRAWN BY W.Coxon
 APPROVED BY
 THIRD ANGLE PROJECTION

SHEET 2 OF 2
 SCALE 1:2
 A4

TITLE PCB - DIN Sockets
 General Specification
 671 Series
 DRAWING NO. 671 DIN
 Specification
 ISSUE **10**
 Release