



Datenblatt - Fiche technique - Data sheet

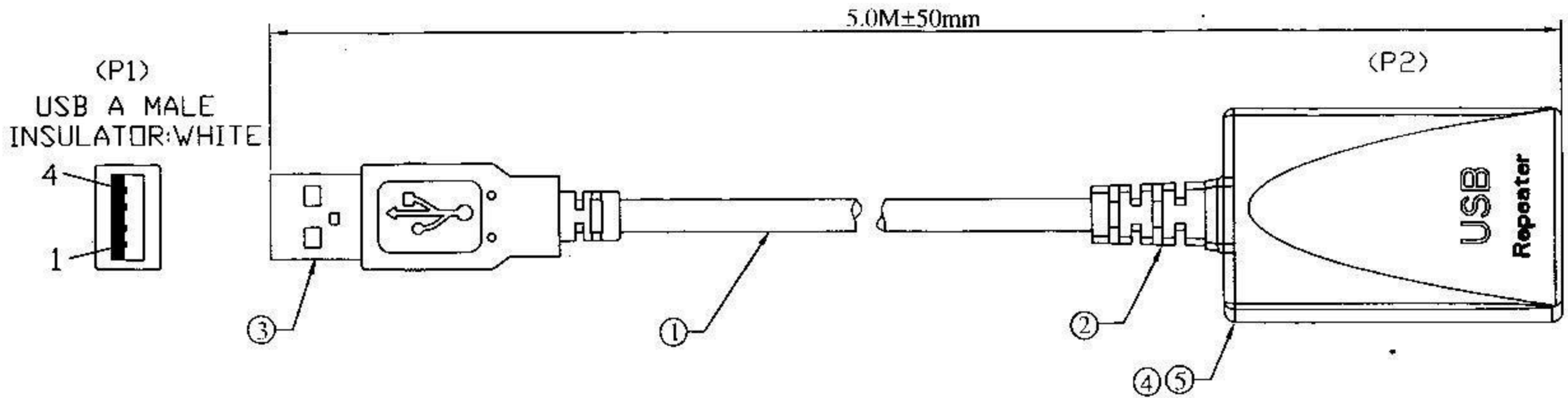
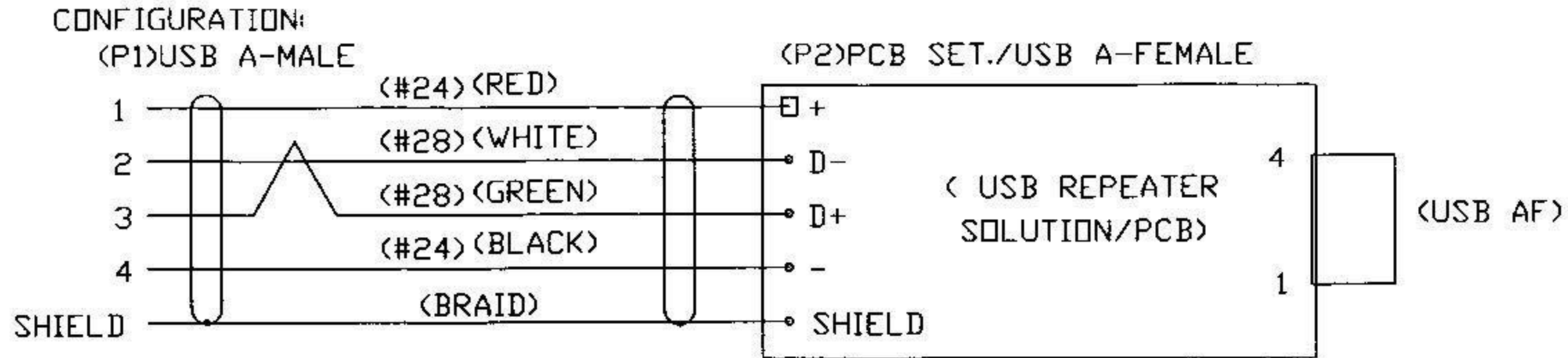
12.04.1089



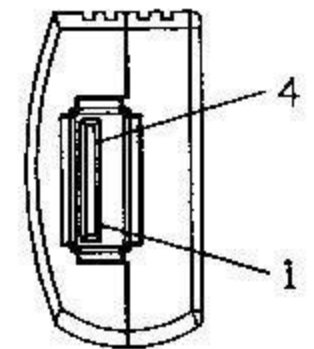
ROLINE USB 2.0 Verlängerung schwarz, 5m

ROLINE Rallonge USB 2.0 noire, 5m

ROLINE USB 2.0 Extension Cable, 1 Port, black, 5 m



USB A FEMALE INSULATOR:WHITE



- NOTE:
1. CABLE COLOR: BLACK
 2. OVERALL MOLDED WITH BLACK COLOR PVC
 3. HOOD WITH ABS,COLOR&SR COLOR SAME CABLE JACKET
 4. TOTAL LENGTH:5M±50MM

5.	SR/MOLDED	1Set	PVC Moulding/ WITH BLACK COLOR
4.	HOOD	1Set	ABS HOOD/BLACK COLOR(DWGNO.USB103-A-HD1/2)
3.	PCB SET	1Set	PCB MODULAR
2.	CONNECTOR	1pc	USB A-MALE, WITH MOLDED TYPE
1.	CABLE	1pc	USB2.0 UL2725(#28X1PAIR+#24X2C) + AEB BLACK COLOR, PVC JACKET,D.D:4.5MM,L:5M
NO.	PART NAME	Q'TY	SPECIFICATION

TOLRANCES

	A	B	C	D
0-5	±0.03	±0.05	±0.08	±0.10
5-20	±0.05	±0.08	±0.10	±0.15
20-50	±0.08	±0.10	±0.15	±0.20
50-100	±0.10	±0.15	±0.20	±0.30
100-up	±0.15	±0.20	±0.30	±0.50
ANGLE	±20'	±40'	±90'	±180'

TITLE: USB ACTIVE EXTENSION

FILE NO. 12.04.1089

DWG NO. USB1032-B

Unit: MM, Rev: 1.0, Scale: none, BUYER: ROC

Drawing: DRAWN, CHECKED, APPROVE

Signature: 李英玉

ROTRONIC CO., LTD.