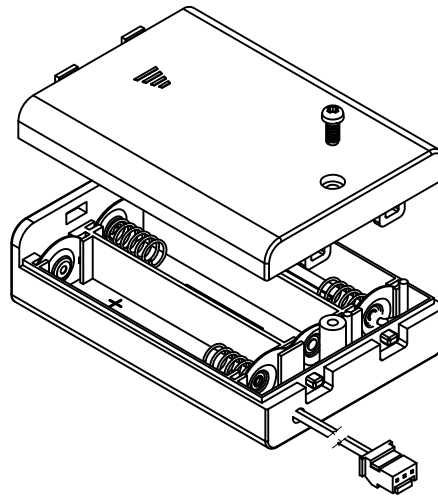
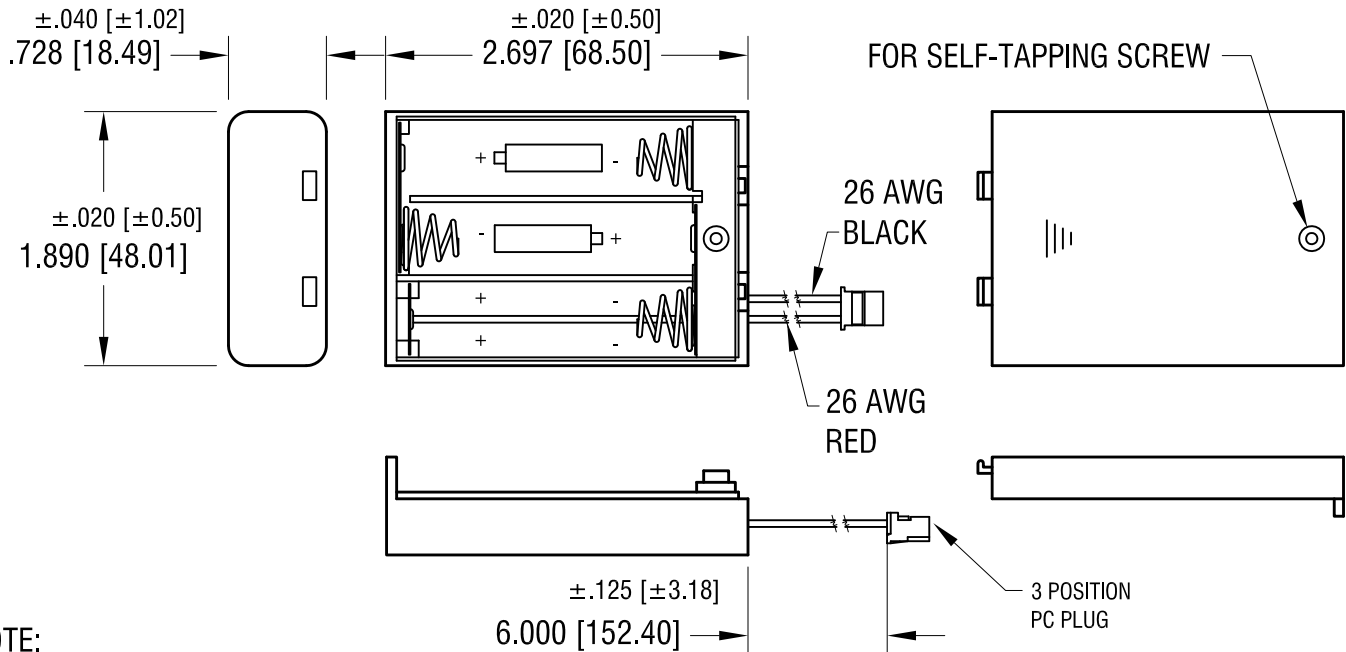


THIS DOCUMENT IS THE PROPERTY OF KEYSTONE ELECTRONICS CORP. AND SHALL NOT BE REPRODUCED, DISTRIBUTED OR USED AS A BASIS FOR MANUFACTURE WITHOUT PRIOR WRITTEN PERMISSION FROM KEYSTONE ELECTRONICS CORP.



HOLDER

COVER



**NOTE:**

1. HOLDER: MAT'L: A.B.S., BLACK
2. WIRE: 26 AWG, 1007 UL/CSA APPROVED
3. SPRING: MAT'L: MUSIC WIRE, .020 [0.50] DIA.  
FINISH: NICKEL PLATE
4. CONNECTOR: MAT'L - PA 66, UL94V-0  
COLOR- NATURAL
5. POSITIVE (RED) CONNECTED TO PIN 1  
NEGATIVE (BLACK) CONNECTED TO PIN 3

\*USE : 974-977 FOR P.C. JACK

|   |                 |        |               |
|---|-----------------|--------|---------------|
| <b>KEYSTONE ELECTRONICS CORP.</b>                               |                 |        |               |
| www.keyelco.com • ASTORIA, N.Y. 11105-2017 • Tel (718) 956-8900 |                 |        |               |
| PART NAME   |                 |        |               |
| BATTERY HOLDER AND COVER (3) AA                                 |                 |        |               |
| MATERIAL  |                 |        |               |
| AS NOTED  |                 |        |               |
| FINISH  |                 | DRN BY | DATE          |
| AS NOTED  |                 | NT     | 7.20.16       |
|   |                 | APP'D  | SCALE         |
|   |                 | LN     | .7X           |
| TOLERANCES  | INCH [MM]       | CODE   | DWG NO.       |
| DECIMAL   | ± .015 [± 0.35] | C      | <b>2487CN</b> |
| ANGULAR   | ± 1°            |        |               |
| UNLESS OTHERWISE SPECIFIED                                      |                 |        |               |

|      |             |      |
|------|-------------|------|
| DATE | DESCRIPTION | REV. |
|      |             |      |