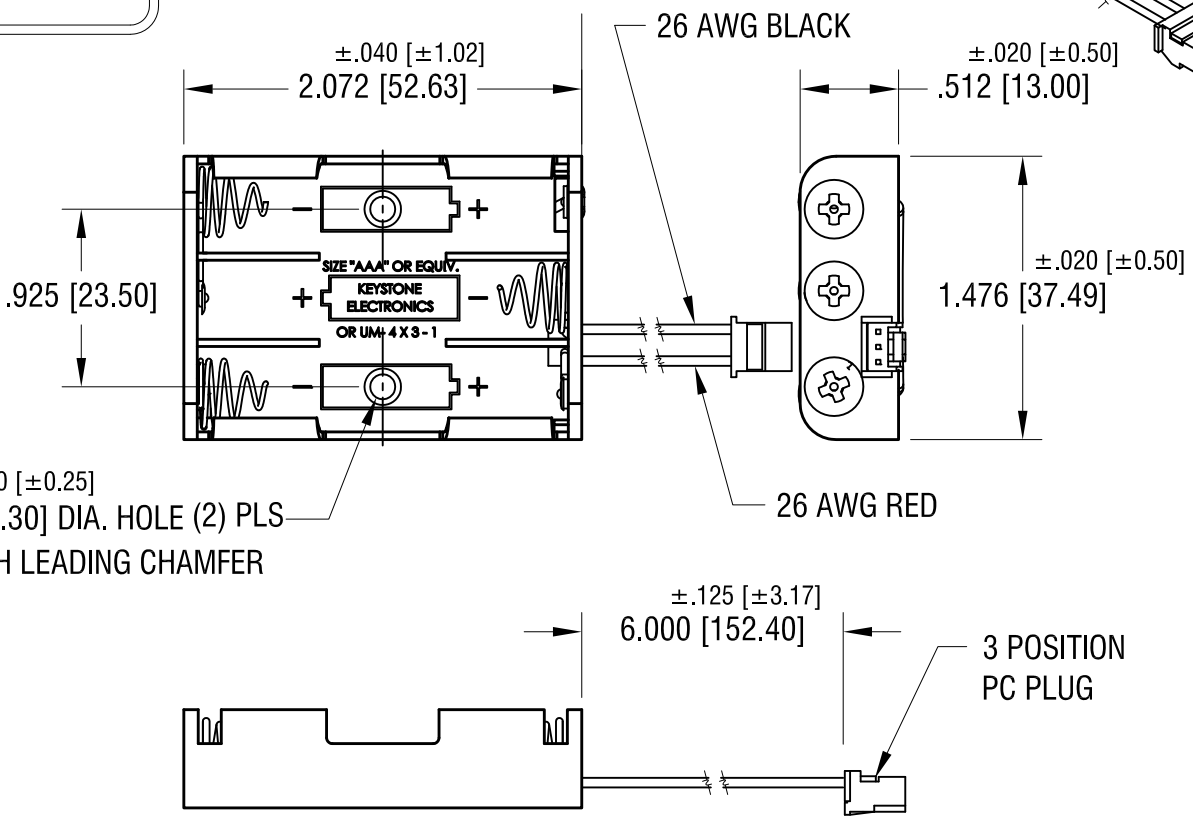
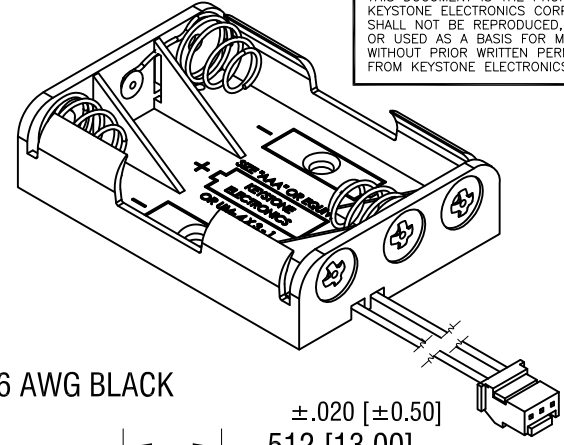
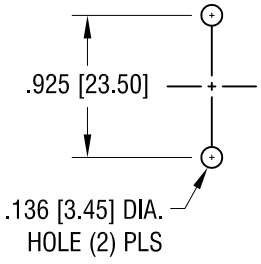


THIS DOCUMENT IS THE PROPERTY OF KEYSTONE ELECTRONICS CORP. AND SHALL NOT BE REPRODUCED, DISTRIBUTED OR USED AS A BASIS FOR MANUFACTURE WITHOUT PRIOR WRITTEN PERMISSION FROM KEYSTONE ELECTRONICS CORP.

MOUNTING DETAIL



NOTE:

1. HOLDER: MAT'L: POLYPROPYLENE
2. SPRING: MAT'L: MUSIC WIRE, .024 [0.60] DIA. FINISH: NICKEL PLATE
3. CONNECTOR: MAT'L - PA 66, UL94V-0 COLOR- NATURAL
4. POSITIVE (RED) CONNECTED TO PIN 1
 NEGATIVE (BLACK) CONNECTED TO PIN 3

*USE : 974-977 FOR P.C. JACK

KEYSTONE ELECTRONICS CORP.			
www.keyelco.com • ASTORIA, N.Y. 11105-2017 • Tel (718) 956-8900			
PART NAME		BATTERY HOLDER (3) 'AAA'	
MATERIAL		AS NOTED	
FINISH	AS NOTED	DRN BY	NT
		DATE	4.08.16
		APP'D	LN
		SCALE	1X
TOLERANCES	INCH [MM]	CODE	DWG NO.
DECIMAL	± .015 [± 0.38]	C	2480CN
ANGULAR	± 1°		
UNLESS OTHERWISE SPECIFIED			

DATE	DESCRIPTION	REV.	
------	-------------	------	--