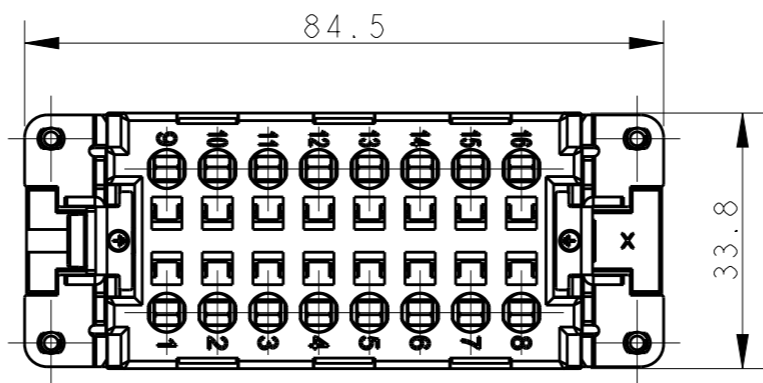
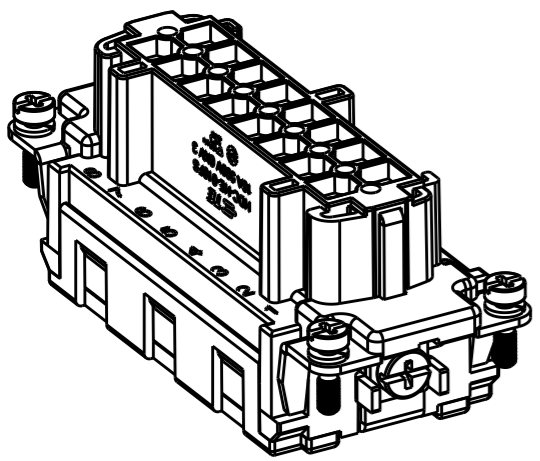
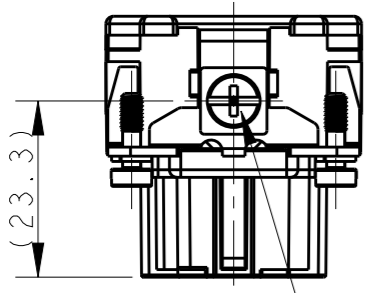


THIS DRAWING IS UNPUBLISHED. RELEASED FOR PUBLICATION 20  
 © COPYRIGHT 20 BY - ALL RIGHTS RESERVED.

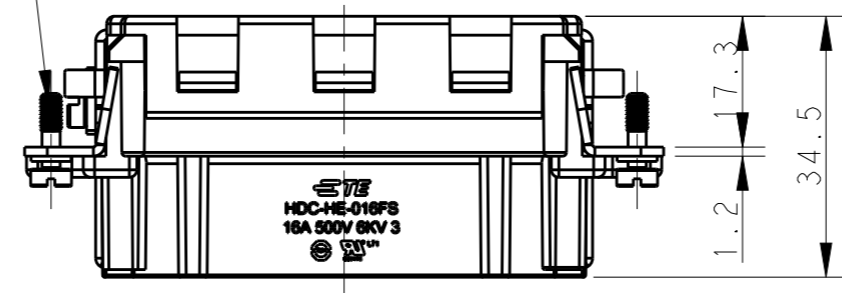
REVISIONS				
P	LTR	DESCRIPTION	DATE	APVD
A		INITIAL RELEASE	15APR2015	CY CW
B		ECR-15-013759	09OCT2015	DW CW
B1		ECR-16-009892	13JUL2016	RL CW



4X M3 SCREW  
 RECOMMENDED TIGHTENING TORQUE 0.5Nm  
 4 X M3螺丝, 推荐扭力矩为 0.5Nm

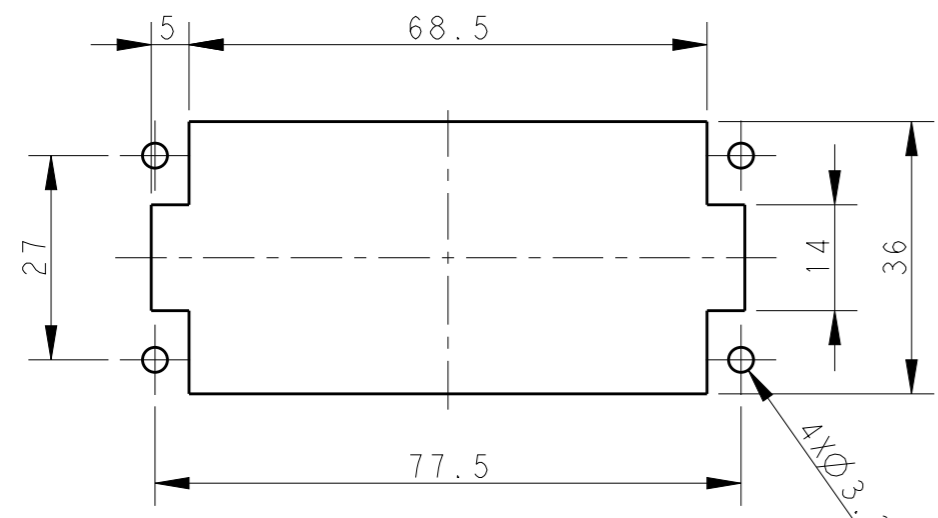
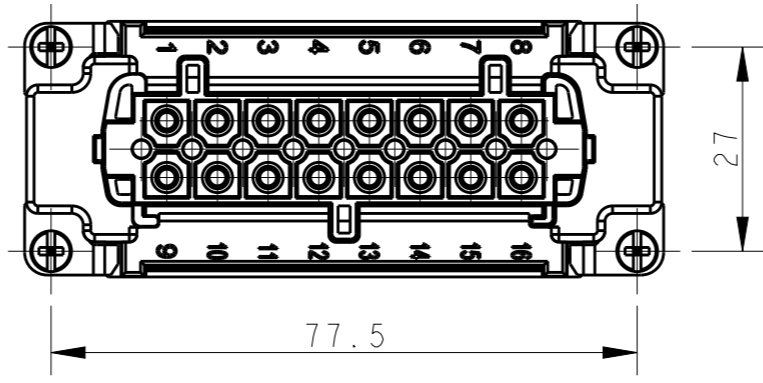


M4 SCREW, RECOMMENDED TIGHTENING TORQUE 1.2Nm  
 M4螺丝, 推荐扭力矩为 1.2Nm



NOTES:  
 1. TECHNICAL CHARACTERISTICS:  
 INSULATION MATERIAL: PC  
 RATED VOLTAGE: 500V  
 RATED CURRENT: 16A  
 INSULATION RESISTANCE: >=400MΩ  
 RATED IMPULSE VOLTAGE: 6KV  
 POLLUTION DEGREE: 3  
 FLAMMABILITY: UL94V-0  
 MATING CYCLES: 500 CYCLES  
 WIRE RANGE: 0.5mm<sup>2</sup>~2.5mm<sup>2</sup> (AWG20-AWG14)  
 CONTACT FINISH: SILVER PLATED  
 CONTACT TYPE: SPRING CLAMP

注释:  
 1. 技术参数:  
 绝缘材料: PC  
 额定电压: 500V  
 额定电流: 16A  
 绝缘电阻: >=400MΩ  
 脉冲电压: 6KV  
 污染等级: 3  
 阻燃等级: UL94V-0  
 插拔次数: 500 次  
 接线范围: 0.5mm<sup>2</sup>~2.5mm<sup>2</sup> (AWG20-AWG14)  
 端子表面处理: 镀银  
 接线类型: 弹片压接



PANEL CUT OUT FOR INSERTS FOR USE WITHOUT HOODS/HOUSING  
 不使用防护外壳时芯件的安装开孔图

PART NUMBER	PART DESCRIPTION	FIXING SCREW MAT'L	GROUND CONTACT SCREW MAT'L
料号	描述	压线螺丝材质	接地连接螺丝材质
T2040163201-001	HE-016-FS HE-016 FEMALE INSERT, STAINLESS STEEL SCREW, SPRING CLAMP HE-016母插, 带不锈钢螺丝, 弹片	STAINLESS STEEL	STAINLESS STEEL
T2040163201-000	HE-016-FS HE-016 FEMALE INSERT, SPRING CLAMP HE-016母插, 弹片	STEEL	STEEL

THIS DRAWING IS A CONTROLLED DOCUMENT.		DWN 15APR2015 Gino.Yao		TE Connectivity	
DIMENSIONS: mm		CHK 15APR2015 Chris.Wang			
TOLERANCES UNLESS OTHERWISE SPECIFIED:		APVD 15APR2015 Xiang.Xu		NAME HE-016-FS	
0 PLC ±-		PRODUCT SPEC 108-137044		SIZE	
1 PLC ±-		APPLICATION SPEC 114-137044		CAGE CODE	
2 PLC ±-		WEIGHT		DRAWING NO	
3 PLC ±-		Customer Drawing		A300779	
4 PLC ±-		SCALE 4:5		SHEET 1 OF 1	
ANGLES ±-		RESTRICTED TO		REV B1	
FINISH		-		-	
MATERIAL		-		-	