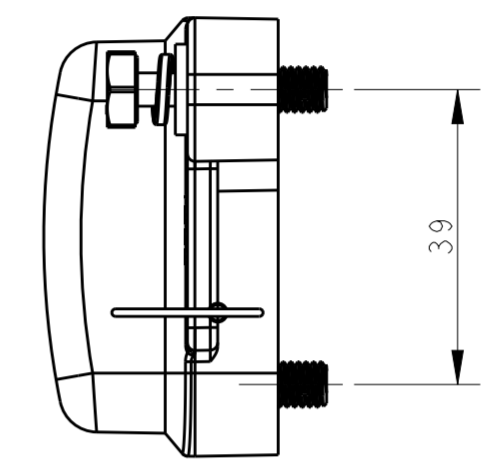
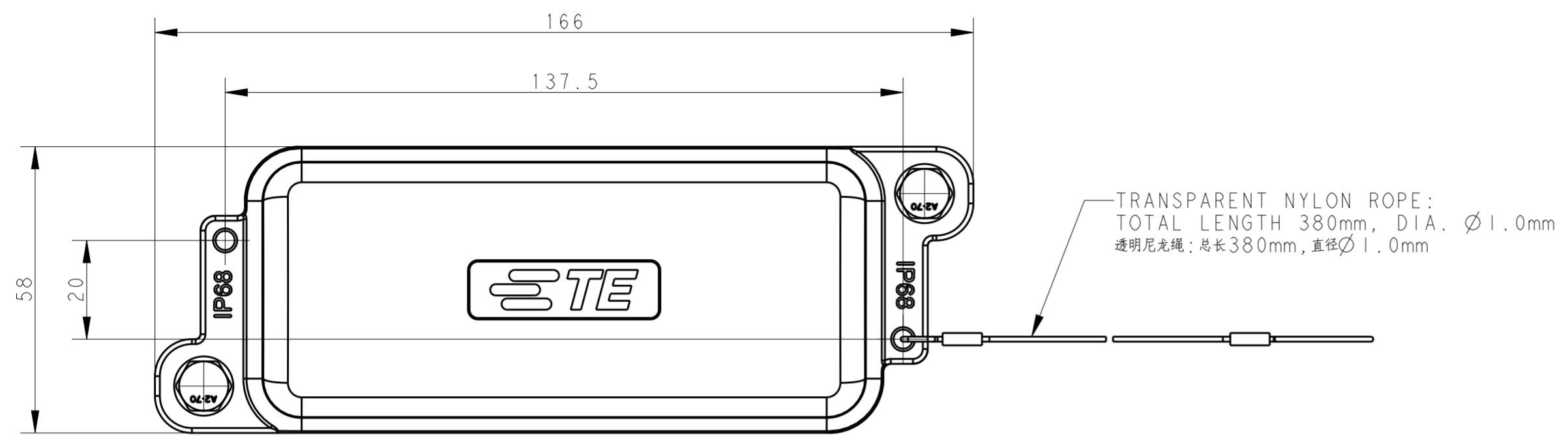
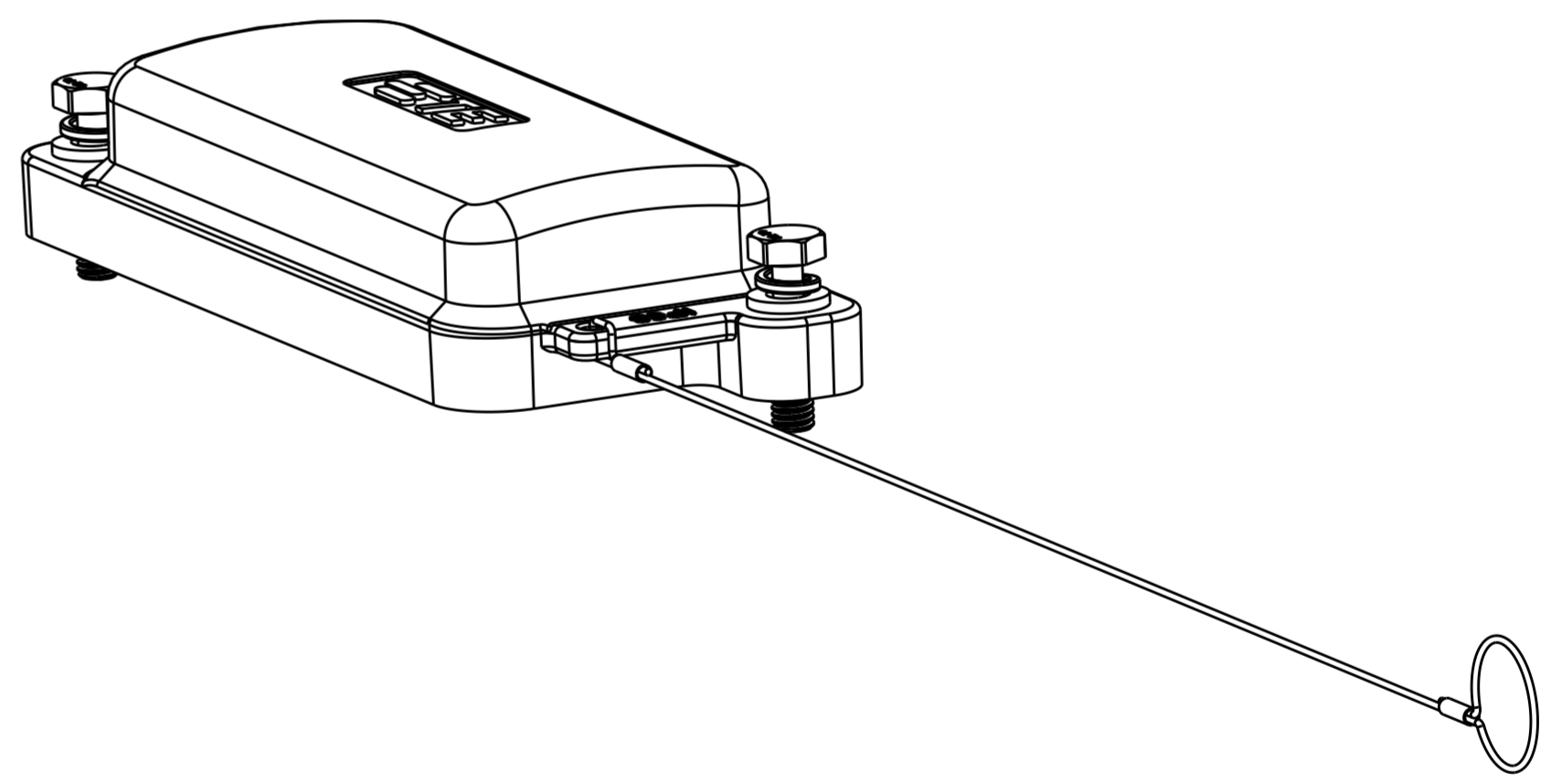
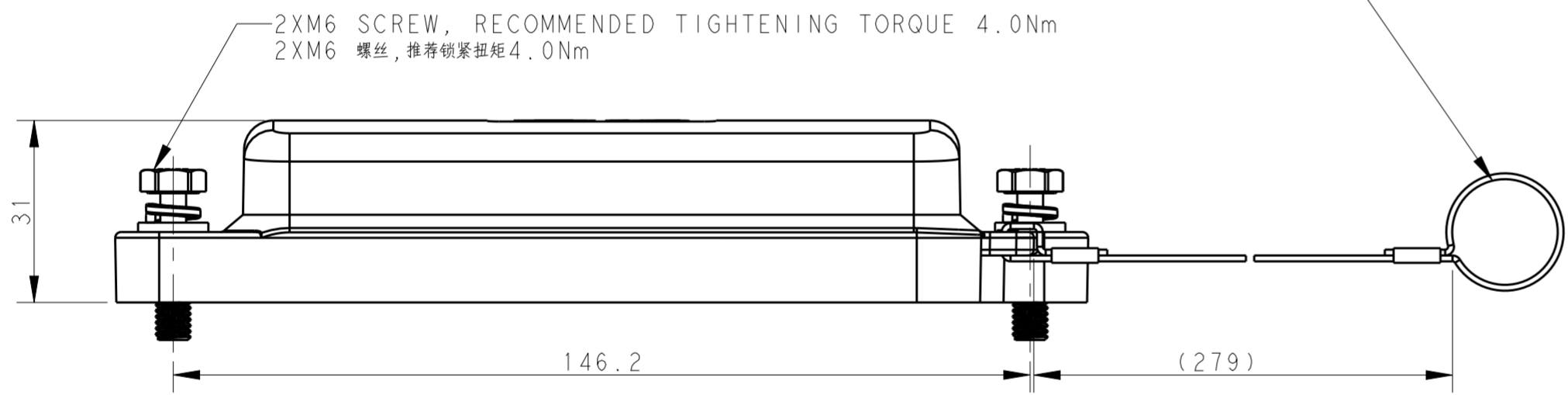


THIS DRAWING IS UNPUBLISHED. RELEASED FOR PUBLICATION 20
 © COPYRIGHT 20 BY - ALL RIGHTS RESERVED.

REVISIONS				
P	LTR	DESCRIPTION	DATE	APVD
A		INITIAL RELEASE	22OCT2016	DW CW
A1		ECR-17-008404	10JUN2017	CH CW



LOOP SIZE DEFAULT VALUE DIA. Ø18,
 UNLESS HAVE SPECIAL REQUIREMENT.
 套圈大小默认值直径是Ø18, 除非有特别要求.



NOTES:
 I. TECHNICAL CHARACTERISTICS:
 COVER MATERIAL: DIE CAST ALUMINIUM ALLOY
 SURFACE TREATMENT: SEE TABLE

注释
 I. 技术参数:
 壳体材料: 铝合金
 表面处理: 见表格

T1990160000-009	H16BPR-KDBM-EMC-C	H16BPR HOUSING METAL PROTECTION COVER, DIAGONAL LOCKING, NYLON ROPE, PASSIVATION+POWDER COATED, BLACK / H16BPR对角锁定金属保护盖, 尼龙绳, 钝化+黑色粉末喷涂
PART NUMBER	PART DESCRIPTION	
料号	描述	

THIS DRAWING IS A CONTROLLED DOCUMENT.		DWN DAVID.WANG 22OCT2016	TE Connectivity	
DIMENSIONS:		CHK CHRIS.WANG 22OCT2016		
TOLERANCES UNLESS OTHERWISE SPECIFIED:		APVD XIANG.XU 22OCT2016		
mm	0 PLC ±	PRODUCT SPEC	NAME H16BPR-KDBM-EMC-C	
	1 PLC ±	-	SIZE A2	
	2 PLC ±	APPLICATION SPEC	CAGE CODE -	
	3 PLC ±	-	DRAWING NO. C-T1990160000009	
	4 PLC ±	WEIGHT -	RESTRICTED TO -	
MATERIAL -	ANGLES ±	CUSTOMER DRAWING	SCALE 1:1	
-	FINISH -		SHEET 1 OF 1	
			REV A1	