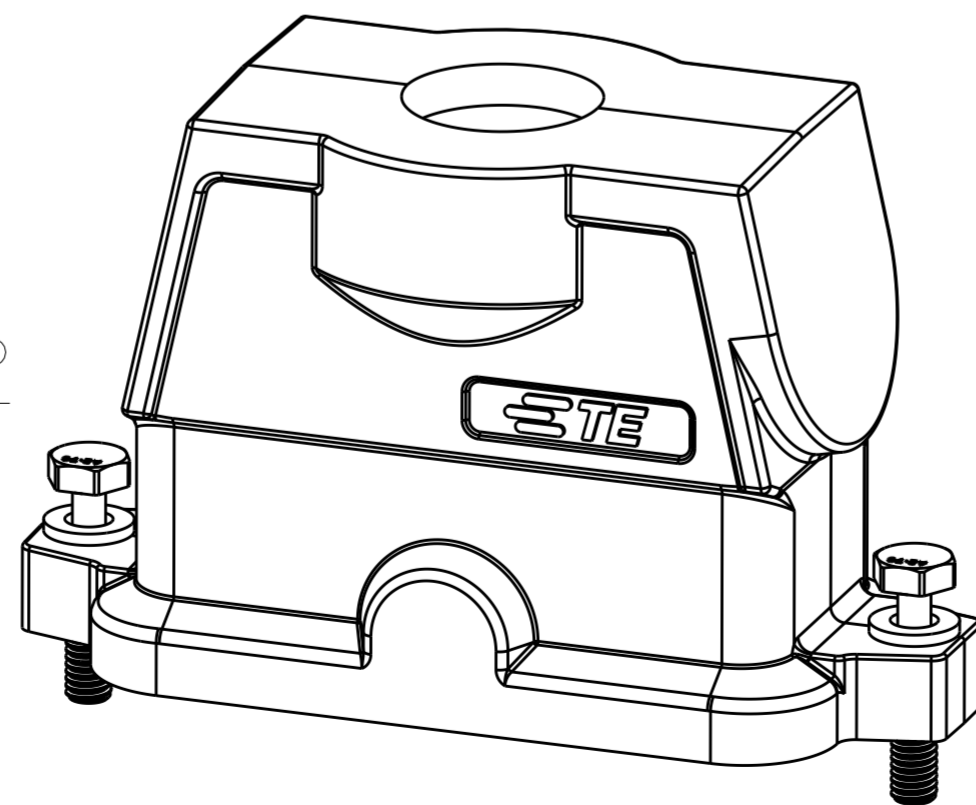
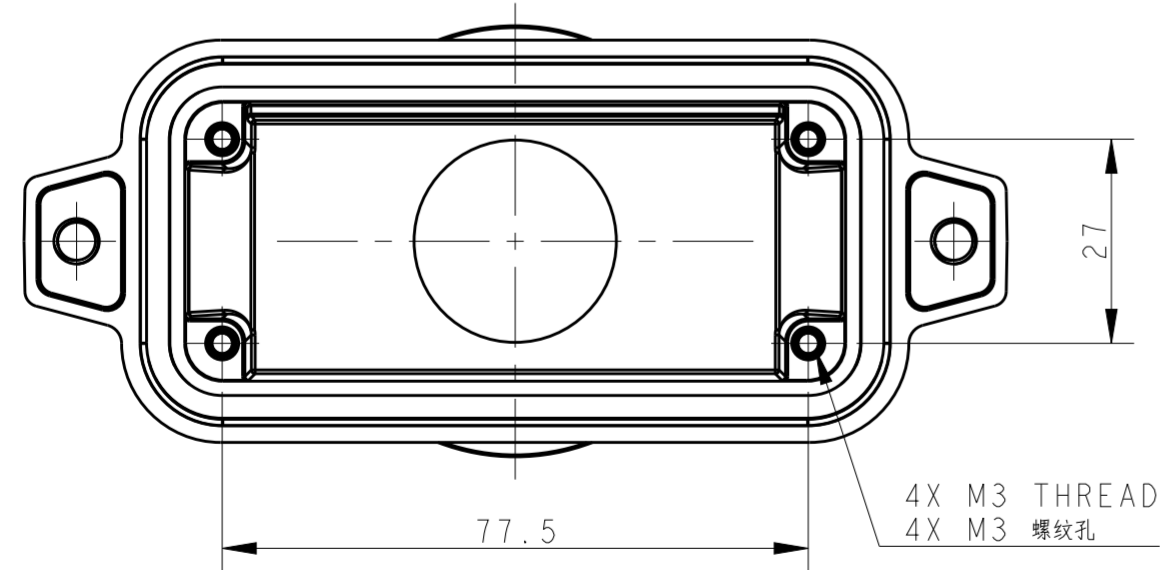
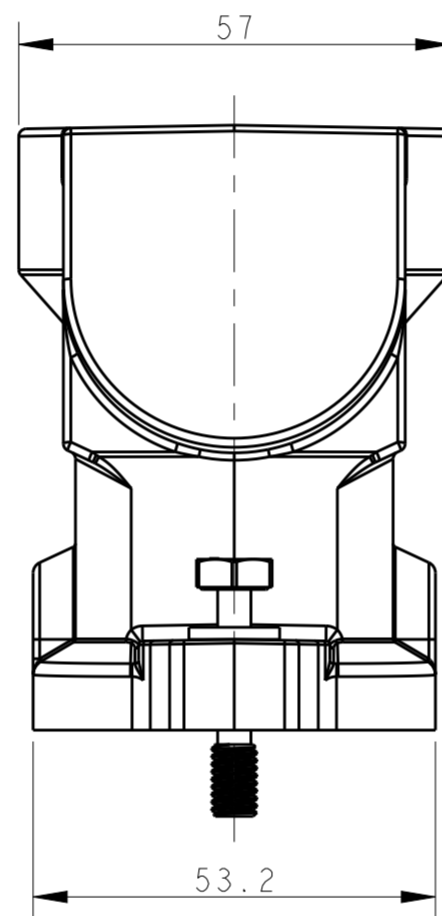
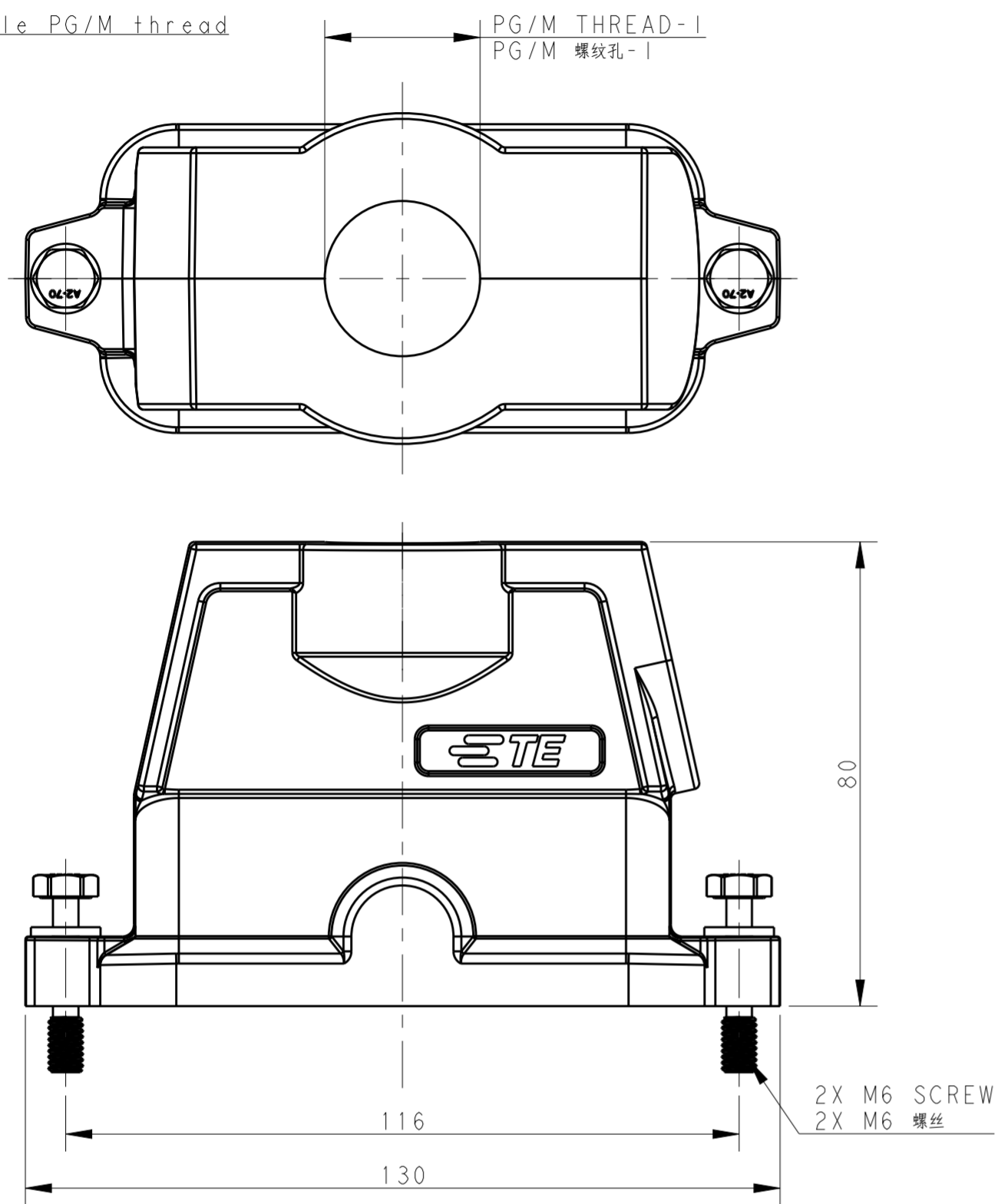


THIS DRAWING IS UNPUBLISHED. RELEASED FOR PUBLICATION 20
 © COPYRIGHT 20 BY - ALL RIGHTS RESERVED.

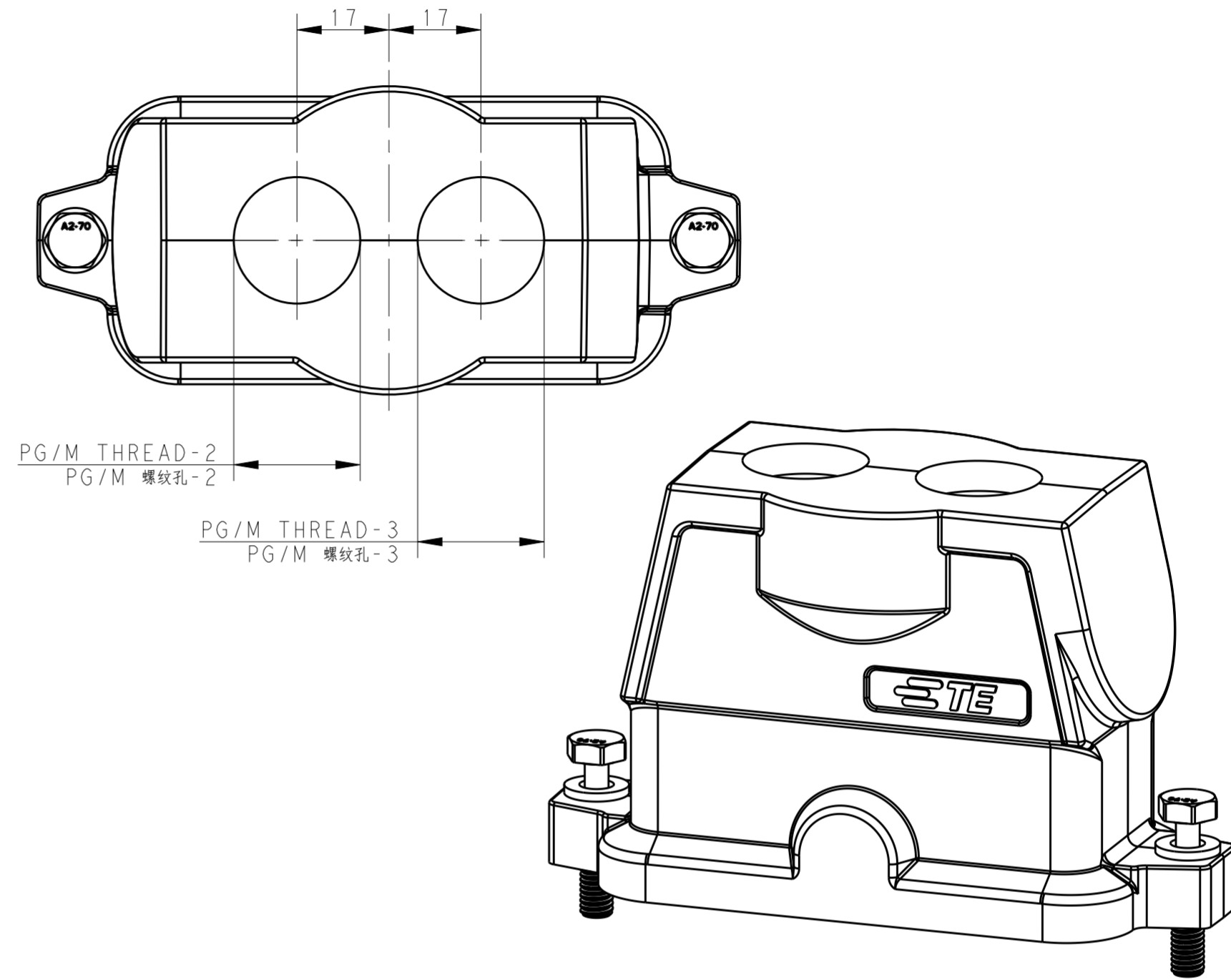
TYPE 1

Single PG/M thread



TYPE 2

Two PG/M threads



All dimension is same as TYPE 1, except those defined in this TYPE

NOTES:
 1. TECHNICAL CHARACTERISTICS:
 HOOD MATERIAL: DIE CAST ALUMINIUM ALLOY
 SURFACE: SEE TABLE
 DEGREE OF PROTECTION: IP68 (MATED)

注释
 1. 技术参数:
 壳体材料: 铝合金
 表面处理: 见表格
 防护等级: IP68 (配合)

REVISIONS				
P	LTR	DESCRIPTION	DATE	APVD
A		INITIAL RELEASE	08OCT2016	DW CW

THIS DRAWING IS A CONTROLLED DOCUMENT.		DWN DAVID WANG 08OCT2016	STE TE Connectivity	
		CHK CHRIS WANG 08OCT2016		
		APVD XIANG XU 08OCT2016	NAME H16BPR-TGHC-PG/M-EMC-C	
DIMENSIONS: mm		PRODUCT SPEC 108-137191	RESTRICTED TO	
TOLERANCES UNLESS OTHERWISE SPECIFIED:		APPLICATION SPEC 114-137191	SIZE A2	CAGE CODE -
0 PLC ±		WEIGHT -	DRAWING NO. C-T192216XXXXX09	SCALE 1:1
1 PLC ±		Customer Drawing	SHEET 1 OF 2	REV A
2 PLC ±				
3 PLC ±				
4 PLC ±				
ANGLES ±				
FINISH -				


THIS DRAWING IS UNPUBLISHED. RELEASED FOR PUBLICATION 20
 © COPYRIGHT 20 BY - ALL RIGHTS RESERVED.

REVISIONS				
P	LTR	DESCRIPTION	DATE	APVD
-		SEE SHEET 1	-	-

NOTES:
SEE SHEET 1

PART NUMBER 料号	DESCRIPTION 描述	PG/M THREAD-3 PG/M 螺纹-3	PG/M THREAD-2 PG/M 螺纹-2	PG/M THREAD-1 PG/M 螺纹-1	TYPE 类型
T1922160225-009	H16BPR-TGHC-2M25-EMC-C H16BPR 中部锁定顶出上壳 2M25 黑色	M25	M25	-	TYPE 2 类型 2
T1912161140-009	H16BPR-TGHC-M40-EMC-C H16BPR 中部锁定顶出上壳 M40 银白色	-	-	M40	TYPE 1 类型 1
T1922161136-009	H16BPR-TGHC-PG36-EMC-C H16BPR 中部锁定顶出上壳 PG36 银白色	-	-	PG36	
T1922161132-009	H16BPR-TGHC-M32-EMC-C H16BPR 中部锁定顶出上壳 M32 银白色	-	-	M32	
T1922161129-009	H16BPR-TGHC-PG29-EMC-C H16BPR 中部锁定顶出上壳 PG29 银白色	-	-	PG29	
T1922161125-009	H16BPR-TGHC-M25-EMC-C H16BPR 中部锁定顶出上壳 M25 银白色	-	-	M25	
T1922161121-009	H16BPR-TGHC-PG21-EMC-C H16BPR 中部锁定顶出上壳 PG21 银白色	-	-	PG21	
T1922160140-009	H16BPR-TGHC-M40-EMC-C H16BPR 中部锁定顶出上壳 M40 黑色	-	-	M40	
T1922160136-009	H16BPR-TGHC-PG36-EMC-C H16BPR 中部锁定顶出上壳 PG36 黑色	-	-	PG36	
T1922160132-009	H16BPR-TGHC-M32-EMC-C H16BPR 中部锁定顶出上壳 M32 黑色	-	-	M32	
T1922160129-009	H16BPR-TGHC-PG29-EMC-C H16BPR 中部锁定顶出上壳 PG29 黑色	-	-	PG29	
T1922160125-009	H16BPR-TGHC-M25-EMC-C H16BPR 中部锁定顶出上壳 M25 黑色	-	-	M25	
T1922160121-009	H16BPR-TGHC-PG21-EMC-C H16BPR 中部锁定顶出上壳 PG21 黑色	-	-	PG21	

THIS DRAWING IS A CONTROLLED DOCUMENT.

DWN DAVID WANG 08OCT2016	 TE Connectivity NAME H16BPR-TGHC-PG/M-EMC-C
CHK CHRIS WANG 08OCT2016	
APVD XIANG XU 08OCT2016	
PRODUCT SPEC 108-137191	
APPLIC. SPEC 114-137191	SIZE A2
WEIGHT -	CAGE CODE -
Customer Drawing	DRAWING NO G-T192216XXXXX09
	RESTRICTED TO -
	SCALE 1:1
	SHEET 2 OF 2
	REV A