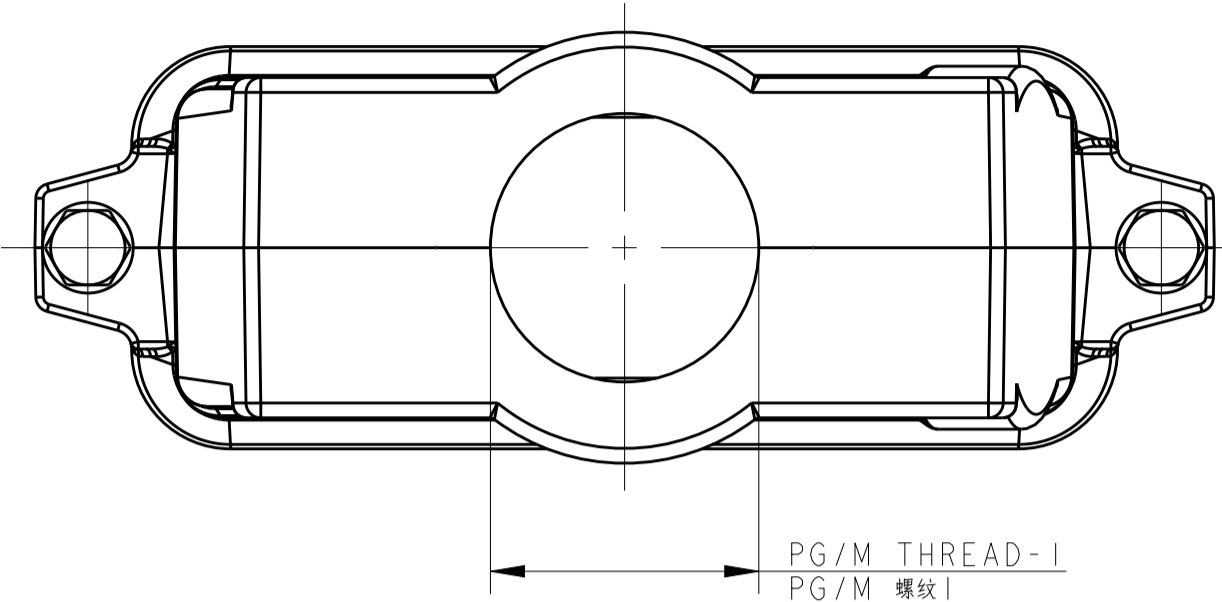
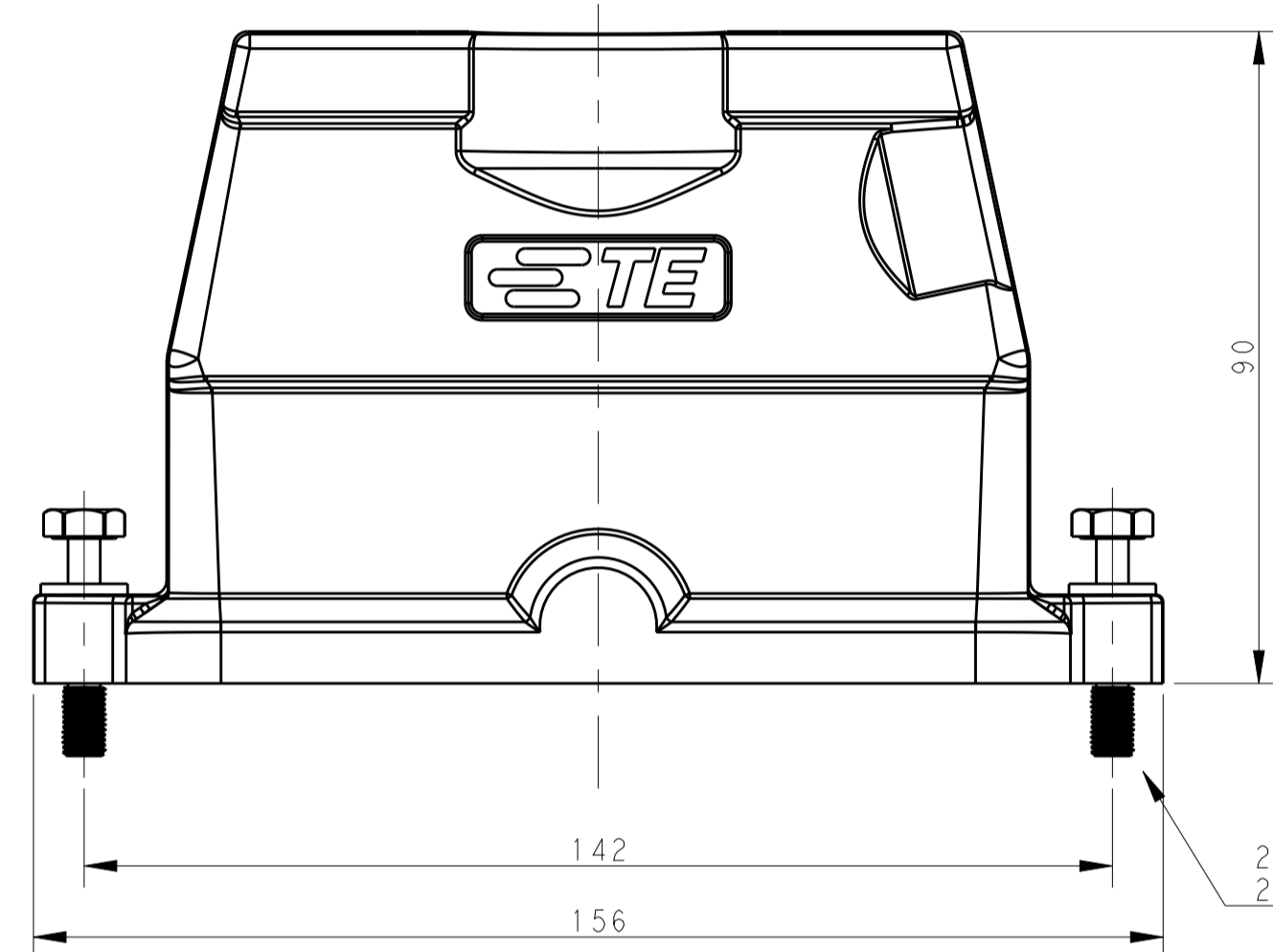


TYPE 1 类型1

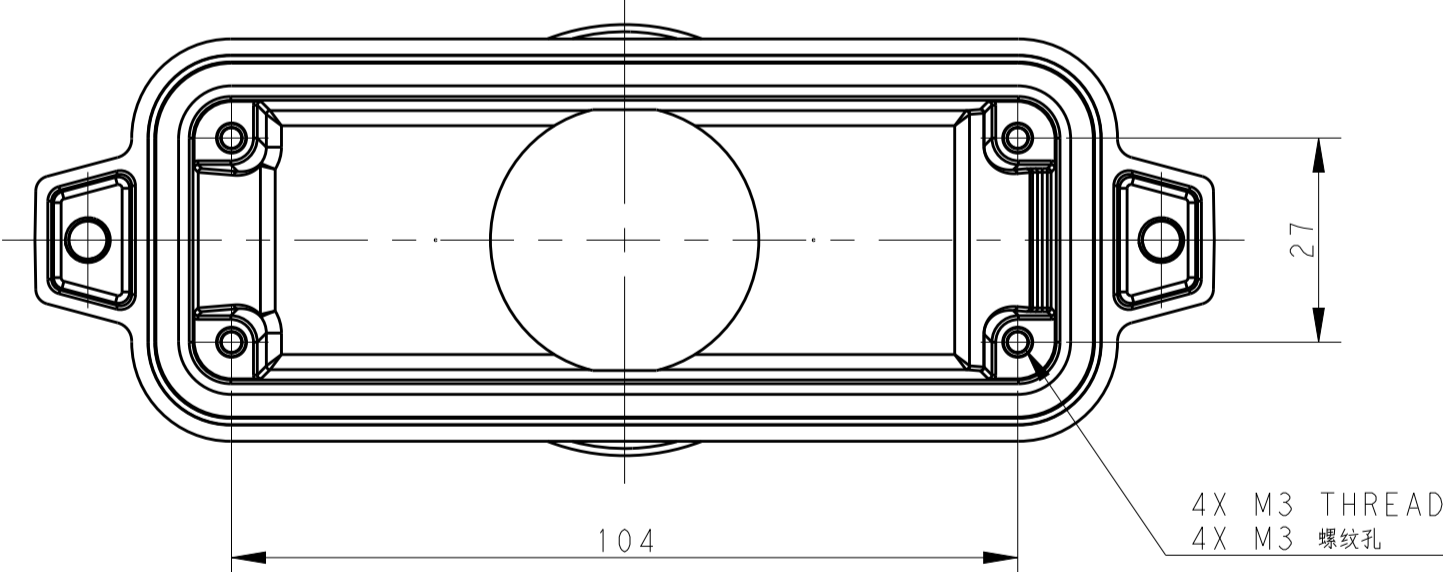
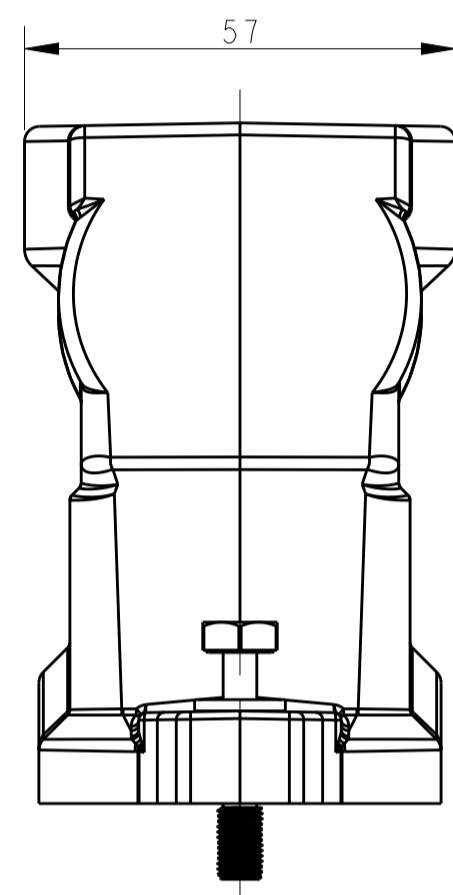
Single PG/M thread
单个 PG/M 螺纹孔



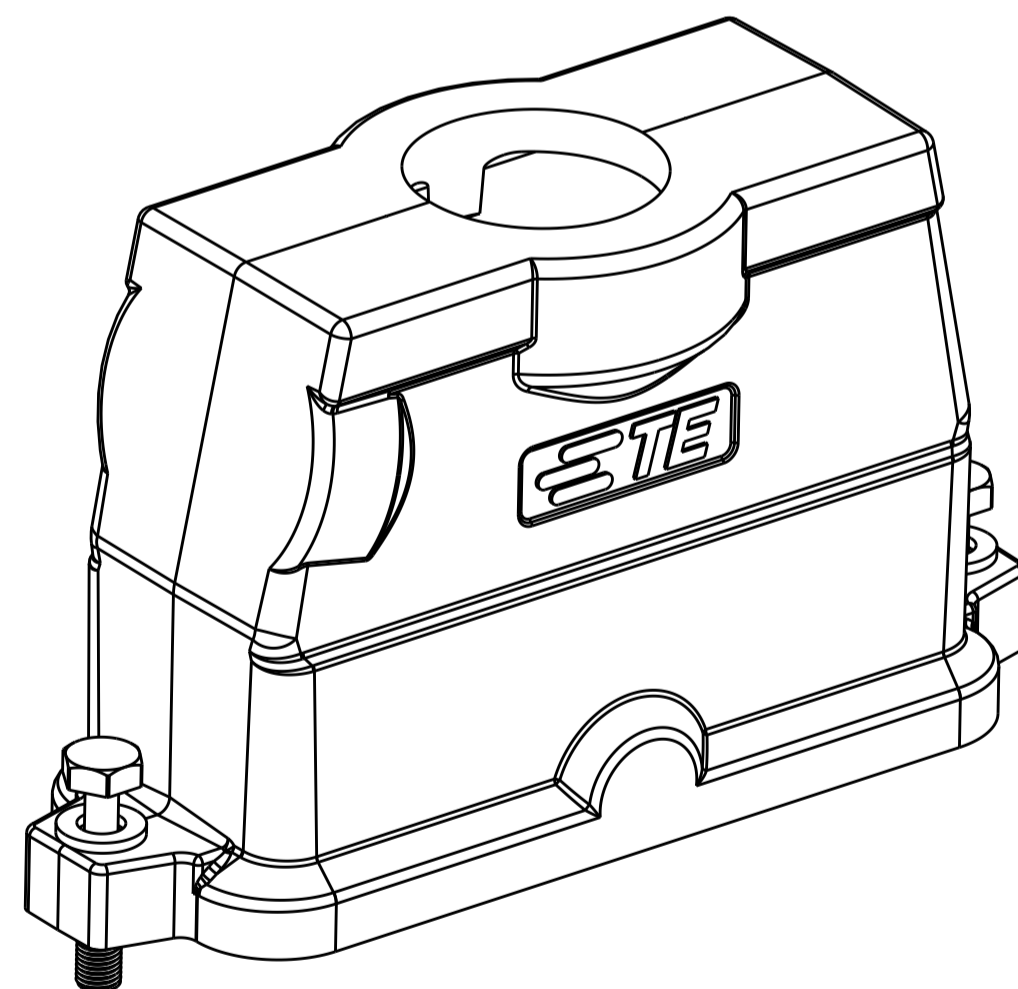
PG/M THREAD-1
PG/M 螺纹1



2X M6 SCREW
2X M6 螺丝

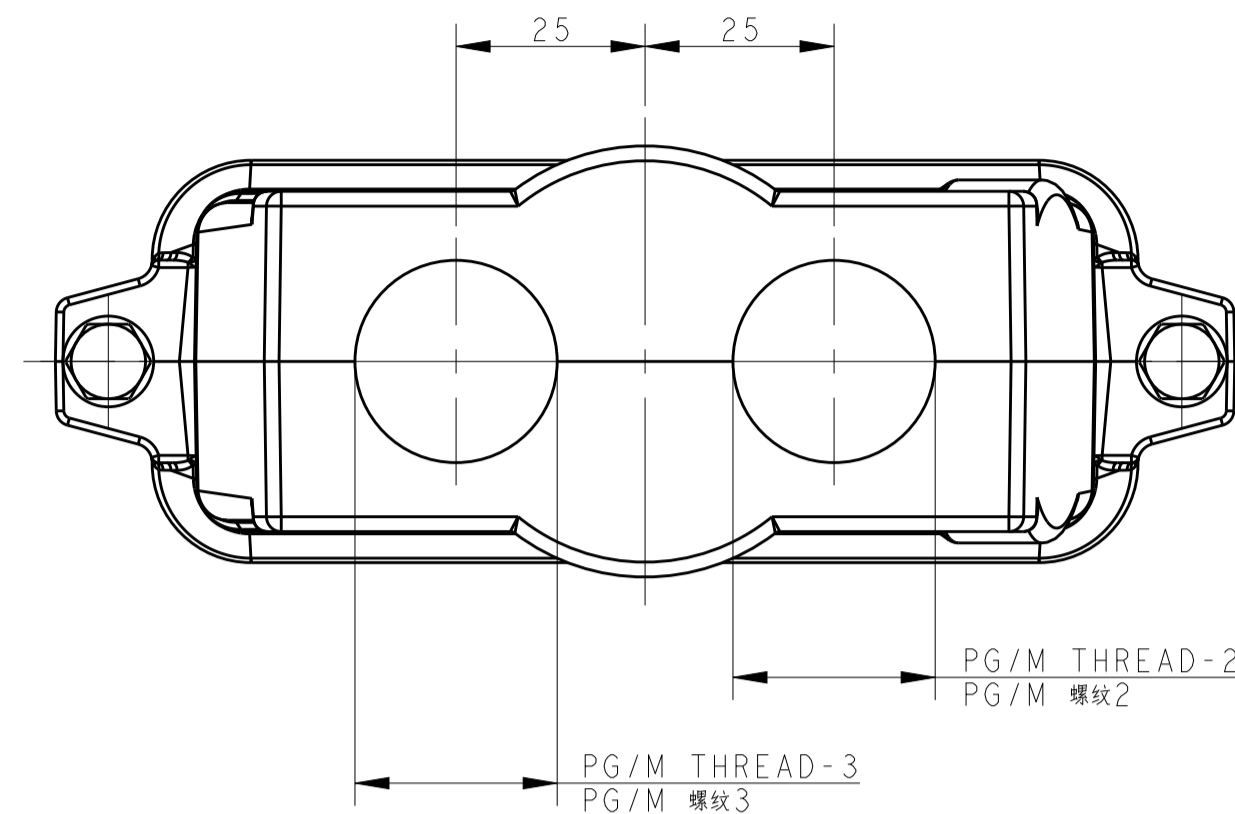


4X M3 THREAD
4X M3 螺纹孔



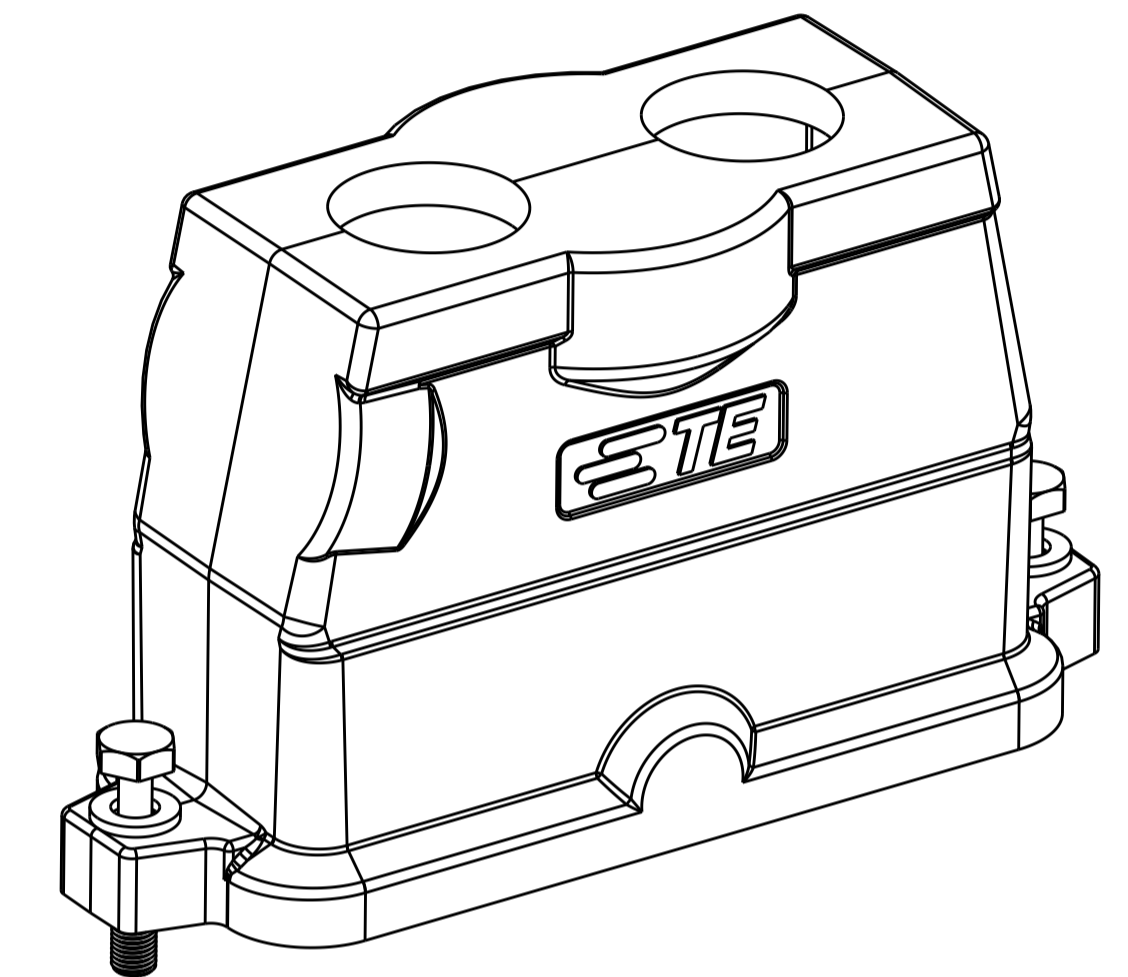
TYPE 2 类型2

Two PG/M threads
两个 PG/M 螺纹孔



PG/M THREAD-2
PG/M 螺纹2

PG/M THREAD-3
PG/M 螺纹3



NOTES:
1. TECHNICAL CHARACTERISTICS:
HOOD MATERIAL: DIE CAST ALUMINIUM ALLOY
SURFACE TREATMENT: SEE TABLE
DEGREE OF PROTECTION: IP68 (MATED)

注释:
1. 技术参数:
壳体材料: 铝合金
表面处理: 见表格
防护等级: IP68 (配合)

PART NUMBER 料号	DESCRIPTION 描述	PG/M THREAD-3 PG/M 螺纹3	PG/M THREAD-2 PG/M 螺纹2	PG/M THREAD-1 PG/M 螺纹1	TYPE 类型
T1922241221-009	H24BPR-TGHC-2PG21-EMC-C H24BPR HOOD, CENTER LOCKING, TOP ENTRY 2PG21, POWDER COATED, SILVER WHITE H24BPR 中锁锁定顶出上壳 2PG21 银白色	PG21	PG21	-	TYPE 2 类型2
T1922241140-009	H24BPR-TGHC-M40-EMC-C H24BPR HOOD, CENTER LOCKING, TOP ENTRY M40, POWDER COATED, SILVER WHITE H24BPR 中锁锁定顶出上壳 M40 银白色	-	-	M40	TYPE 1 类型1
T1922241136-009	H24BPR-TGHC-PG36-EMC-C H24BPR HOOD, CENTER LOCKING, TOP ENTRY PG36, POWDER COATED, SILVER WHITE H24BPR 中锁锁定顶出上壳 PG36 银白色	-	-	PG36	
T1922241132-009	H24BPR-TGHC-M32-EMC-C H24BPR HOOD, CENTER LOCKING, TOP ENTRY M32, POWDER COATED, SILVER WHITE H24BPR 中锁锁定顶出上壳 M32 银白色	-	-	M32	
T1922241129-009	H24BPR-TGHC-PG29-EMC-C H24BPR HOOD, CENTER LOCKING, TOP ENTRY PG29, POWDER COATED, SILVER WHITE H24BPR 中锁锁定顶出上壳 PG29 银白色	-	-	PG29	
T1922241125-009	H24BPR-TGHC-M25-EMC-C H24BPR HOOD, CENTER LOCKING, TOP ENTRY M25, POWDER COATED, SILVER WHITE H24BPR 中锁锁定顶出上壳 M25 银白色	-	-	M25	
T1922241121-009	H24BPR-TGHC-PG21-EMC-C H24BPR HOOD, CENTER LOCKING, TOP ENTRY PG21, POWDER COATED, SILVER WHITE H24BPR 中锁锁定顶出上壳 PG21 银白色	-	-	PG21	
T1922240140-009	H24BPR-TGHC-M40-EMC-C H24BPR HOOD, CENTER LOCKING, TOP ENTRY M40, POWDER COATED, BLACK H24BPR 中锁锁定顶出上壳 M40 黑色	-	-	M40	
T1922240136-009	H24BPR-TGHC-PG36-EMC-C H24BPR HOOD, CENTER LOCKING, TOP ENTRY PG36, POWDER COATED, BLACK H24BPR 中锁锁定顶出上壳 PG36 黑色	-	-	PG36	
T1922240132-009	H24BPR-TGHC-M32-EMC-C H24BPR HOOD, CENTER LOCKING, TOP ENTRY M32, POWDER COATED, BLACK H24BPR 中锁锁定顶出上壳 PG32 黑色	-	-	M32	
T1922240129-009	H24BPR-TGHC-PG29-EMC-C H24BPR HOOD, CENTER LOCKING, TOP ENTRY PG29, POWDER COATED, BLACK H24BPR 中锁锁定顶出上壳 PG29 黑色	-	-	PG29	
T1922240125-009	H24BPR-TGHC-M25-EMC-C H24BPR HOOD, CENTER LOCKING, TOP ENTRY M25, POWDER COATED, BLACK H24BPR 中锁锁定顶出上壳 M25 黑色	-	-	M25	
T1922240121-009	H24BPR-TGHC-PG21-EMC-C H24BPR HOOD, CENTER LOCKING, TOP ENTRY PG21, POWDER COATED, BLACK H24BPR 中锁锁定顶出上壳 PG21 黑色	-	-	PG21	

THIS DRAWING IS A CONTROLLED DOCUMENT.		OWN: DAVID WANG 07JUN2016	TE Connectivity
DIMENSIONS: mm		CHK: CHRIS WANG 07JUN2016	
TOLERANCES UNLESS OTHERWISE SPECIFIED:		APVD: XIANG YU 07JUN2016	NAME: H24BPR-TGHC-PG/M-EMC-C PRODUCT SPEC: 108-137191 APPLICATION SPEC: 114-137191
0 PLC ± 1 PLC ± 2 PLC ± 3 PLC ± 4 PLC ± ANGLES ±		SIZE: A1 CAGE CODE: - DRAWING NO: C-T192224XXXX09 RESTRICTED TO: -	
MATERIAL: -		WEIGHT: -	SCALE: 1:1
FINISH: -		CUSTOMER DRAWING	SHEET 1 OF 1