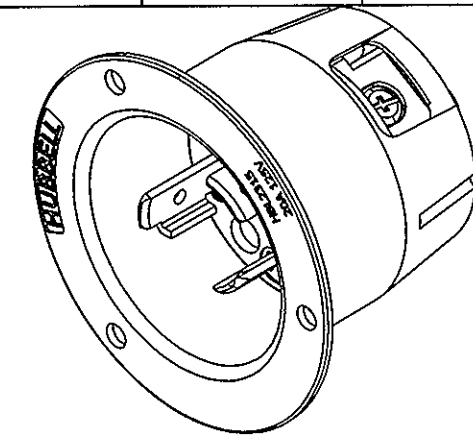


M-7905

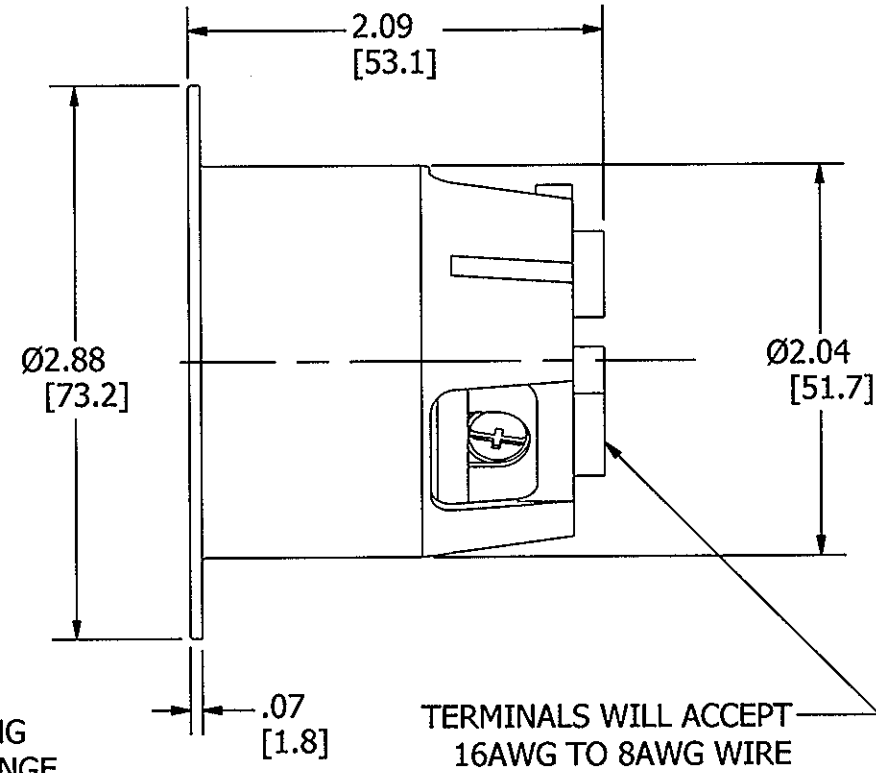
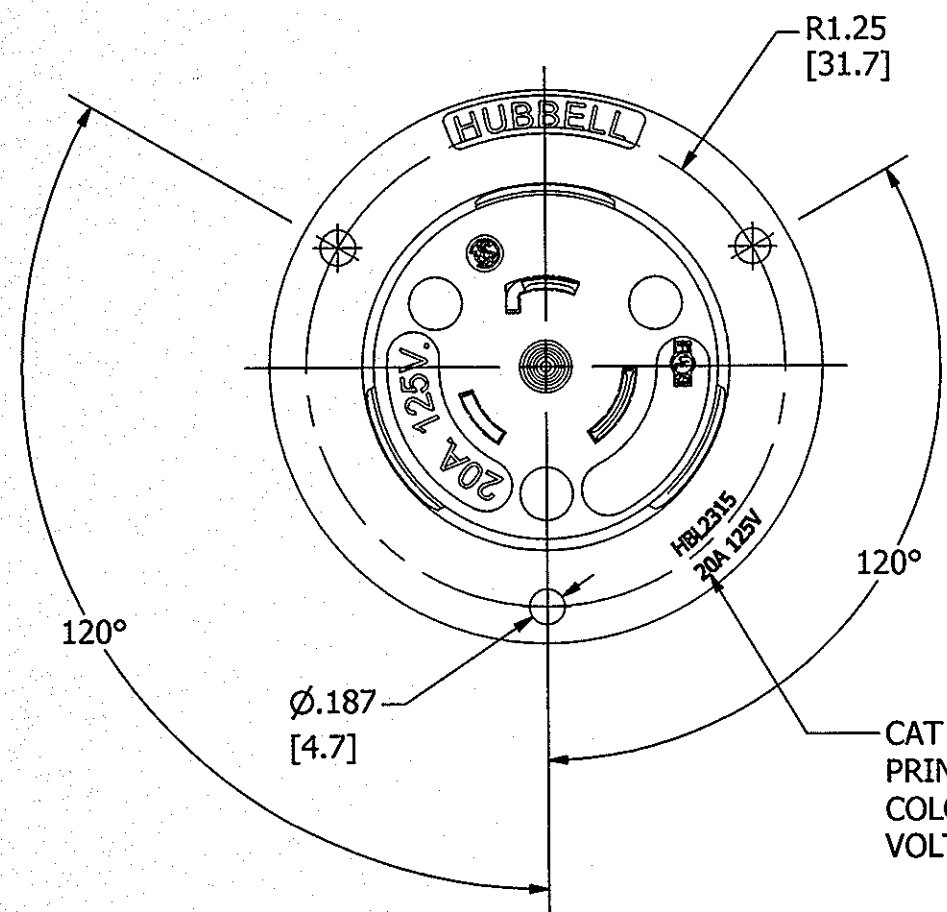
5

NEMA NO.	RATING	POLE/WIRE	CATALOG NO.	VOLTAGE COLOR CODE
L5-20P	125V	2P/3W GROUNDING	HBL2315	YELLOW
L6-20P	250V	2P/3W GROUNDING	HBL2325	BLUE
L7-20P	277VAC	2P/3W GROUNDING	HBL2335	GRAY
L8-20P	480VAC	2P/3W GROUNDING	HBL2345	RED
L9-20P	600VAC	2P/3W GROUNDING	HBL2355	BLACK
L24-20P	347VAC	2P/3W GROUNDING	HBL3725	BLACK

LIST OF PARTS		
DESCRIPTION	MATERIAL	FINISH
CASING	NYLON	NATURAL
BLADE HOLDER	NYLON	NATURAL
RETAINER	POLY CARBONATE	CLEAR
BLADE	.060 BRASS	
WIRE CLAMP	.080 CRS	NICKEL PLATE
#10 TERMINAL SCREWS	BRASS	*
#10 GROUND SCREW	BRASS	GREEN
ASSEMBLY FASTENERS	STEEL	ZINC PLATE
#8 MOUNTING SCREWS	BRASS	NICKEL PLATE



CATALOG NO. HBL2315
(NOT SHOWN TO SCALE)



NOTES:

1. DIMENSIONS ARE IN INCHES [mm].
2. ALL SCREWS ARE COMBINATION PHILLIPS/SLOTTED/ROBERTSON HEAD.
3. * WHITE FINISH ON NEUTRAL CONTACT WHEN USED.

5	REDRAWN WITH EMBEDDED CAD MODEL WITH NO CHANGES TO PART GEOMETRY. PER DCN 21895 SPN	DJP	2/5/16
REV	DESCRIPTION	APP	DATE

THE DESIGN AND DIMENSIONS OF THE PRODUCT SHOWN ON THIS DRAWING ARE SUBJECT TO CHANGE WITHOUT NOTICE

TITLE
20A 3-WIRE TWIST-LOCK FLANGE INLET

TOLERANCES UNLESS OTHERWISE SPECIFIED XX = ± .01 .XXX = ± .005 ANGLES = ± 2'	WIRING DEVICE-KELLEMS HUBBELL INCORPORATED SHELTON, CT	
	DR. BY B.C.	APP. BY DJP
	TR. BY	SCALE 1:1
	CHK. BY DJP	DATE 02/12/98

DIMENSION SHEET FOR CAT. NO. SEE TABLE

REPAIRABLE NON-REPAIRABLE

B

M-7905

5