

DESIGNED & DIMENSIONED
IN MILLIMETERS [INCHES]

DIN7A-J-P-XX-RA-BH1

SERIES
-7A: 75 OHM DIN 1.0/2.3

GENDER
-J: JACK

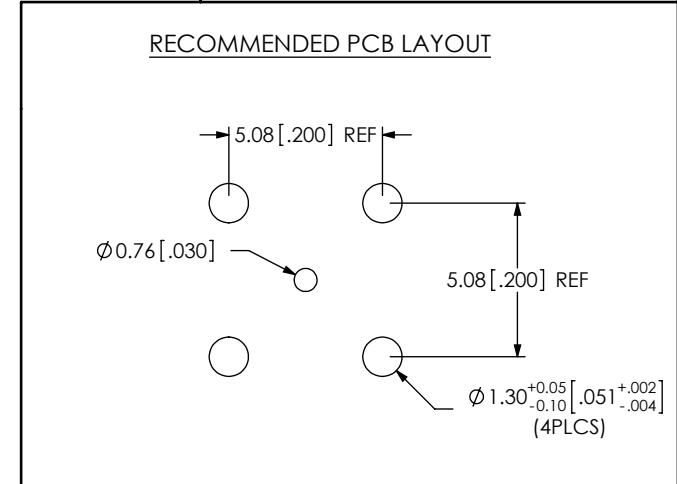
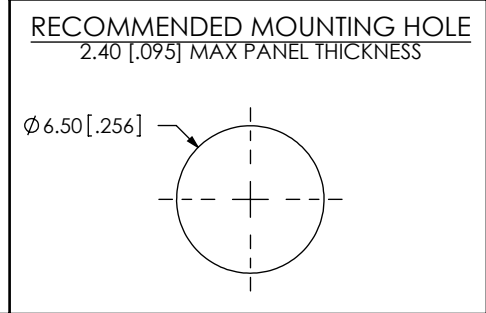
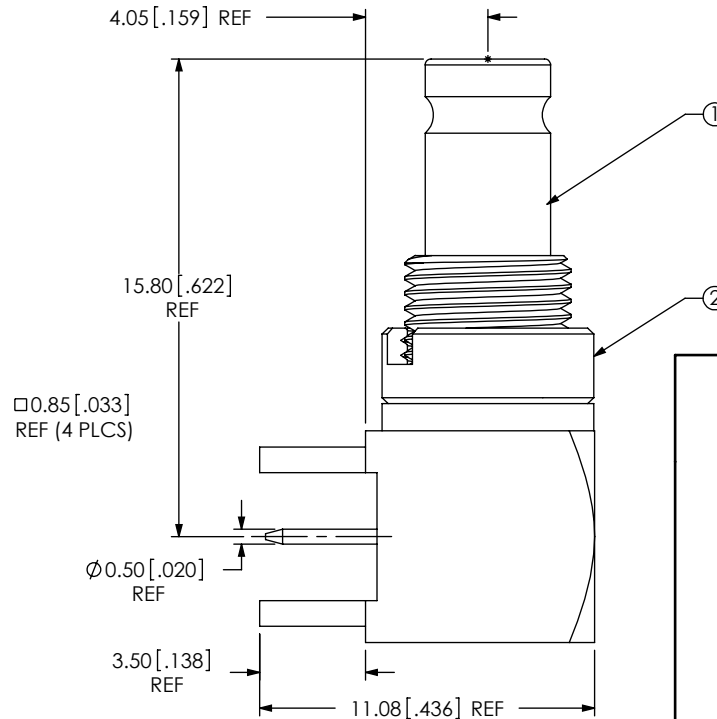
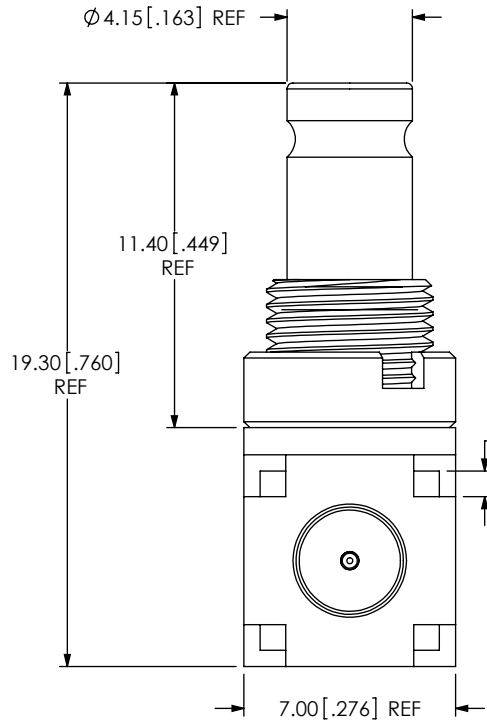
TYPE
-P: PCB

TERMINATION
-BHT: BULKHEAD THROUGH HOLE

ORIENTATION
-RA: RIGHT ANGLE

PLATING SPECIFICATION **C**
 -HG: 30µ" GOLD CENTER CONTACT,
 10µ" GOLD OUTER CONTACT
 100µ" Ni ON BODY
 -HF: 30µ" GOLD CENTER CONTACT,
 3µ" GOLD OUTER CONTACT
 100µ" Ni ON BODY
 -GF: 10µ" GOLD CENTER CONTACT,
 3µ" GOLD OUTER CONTACT
 100µ" Ni ON BODY
 (SEE TABLE 1)

ITEM	COMPONENT	-HG	-HF	-GF
1	SUB ASSEMBLY	SUB-DIN7A-J-P-HG-RA-BH1	SUB-DIN7A-J-P-HF-RA-BH1	SUB-DIN7A-J-P-GF-RA-BH1
2	NUT	DINA-NUT-001-N		



- NOTES:
- Ⓢ REPRESENTS A CRITICAL DIMENSION.
 - DELETED.
 - DELETED.
 - DELETED.
 - DELETED.
 - DELETED.
 - NUT TO BE PACKAGED SEPARATELY.

UNLESS OTHERWISE SPECIFIED DIMENSIONS ARE IN MILLIMETERS	PROPRIETARY NOTE THIS DOCUMENT CONTAINS INFORMATION CONFIDENTIAL AND PROPRIETARY TO SAMTEC, INC. AND SHALL NOT BE REPRODUCED OR TRANSFERRED TO OTHER DOCUMENTS OR DISCLOSED TO OTHERS OR USED FOR ANY PURPOSE OTHER THAN THAT WHICH IT WAS OBTAINED WITHOUT THE EXPRESSED WRITTEN CONSENT OF SAMTEC, INC.	 520 PARK EAST BLVD, NEW ALBANY, IN 47150 PHONE: 812-944-6733 FAX: 812-948-5047 e-Mail: info@SAMTEC.com code: 55322
TOLERANCES ARE: DECIMALS ANGLES .X: ±0.3 [.01] 5° .XX: ±0.13 [.005] .XXX: ±0.051 [.0020]	DO NOT SCALE DRAWING SHEET SCALE: 4:1	
MATERIAL: SHELL,BODY,NUT,WASHER: BRASS CENTER CONTACT: COPPER ALLOY DIELECTRIC: PTFE		DESCRIPTION: TRUE 75 OHM RIGHT ANGLE JACK ASSEMBLY
		DWG. NO. DIN7A-J-P-XX-RA-BH1
BY: talonz 03/19/2010		SHEET 1 OF 1