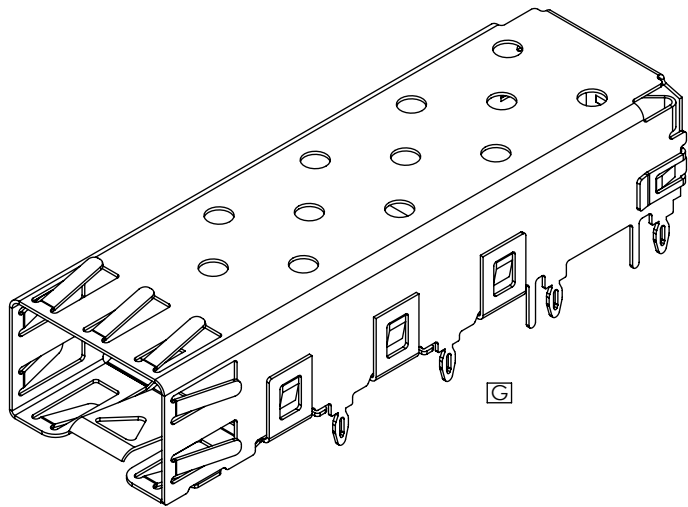


DO NOT
SCALE FROM
THIS PRINT



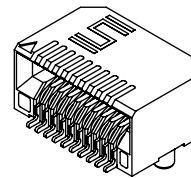
SFPC-PC

SFPK-PC-XX

PCI PRESS FIT
USE MECT-110-01-M-D-RA1 &
SFPC-PC (ONE EACH)

MECT CONNECTOR OPTION

-TR: TAPE & REEL
USE MECT-110-01-M-D-RA1-TR &
SFPC-PC (ONE EACH)
(MECT CONNECTOR ONLY, SFPK'S TO BE TUBED
(LEAVE BLANK FOR TUBE PACKAGING))



MECT-110-01-M-D-RA1

MECT PACKAGING VIEW
(LOAD PARTS WITH POSITION #1 INDICATOR
IN SAME DIRECTION AS ARROW ON TUBE)

TUBE: PT-1-24-01-113
PLUG: TP-03

SFPC-PC PACKAGING VIEW
(LOAD PARTS WITH OPEN END IN
DIRECTION OF ARROW ON TUBE)

OPEN END

☐
NOTES:

1. SFPC-PC TUBE SUPPLIED BY VENDOR.

UNLESS OTHERWISE SPECIFIED,
DIMENSIONS ARE IN INCHES.
TOLERANCES ARE:
DECIMALS ANGLES
.XX: ±.01 [.3] 2°
.XXX: ±.005 [.13]
.XXXX: ±.0020 [.051]

PROPRIETARY NOTE
THIS DOCUMENT CONTAINS INFORMATION
CONFIDENTIAL AND PROPRIETARY TO
SAMTEC, INC. AND SHALL NOT BE REPRODUCED
OR TRANSFERRED TO OTHER DOCUMENTS OR
DISCLOSED TO OTHERS OR USED FOR ANY
PURPOSE OTHER THAN THAT WHICH IT WAS
OBTAINED WITHOUT THE EXPRESSED WRITTEN
CONSENT OF SAMTEC, INC.



520 PARK EAST BLVD., NEW ALBANY, IN 47150
PHONE: 812-944-6733 FAX: 812-948-5047
e-Mail: info@SAMTEC.com code: 55322

MATERIAL: DO NOT SCALE DRAWING SHEET SCALE: 2:1
INSULATOR: LCP, UL 94 VO, COLOR: BLACK
TERMINAL: PHOS BRONZE
SFPC-PC: STAINLESS STEEL

DESCRIPTION:
PCI PRESS FIT COMBO

DWG. NO. SFPK-PC-XX

BY: KEVIN B 10/02/02 SHEET 1 OF 1