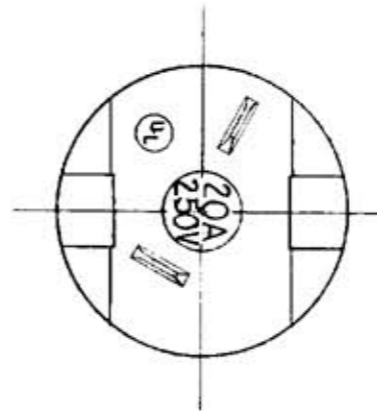
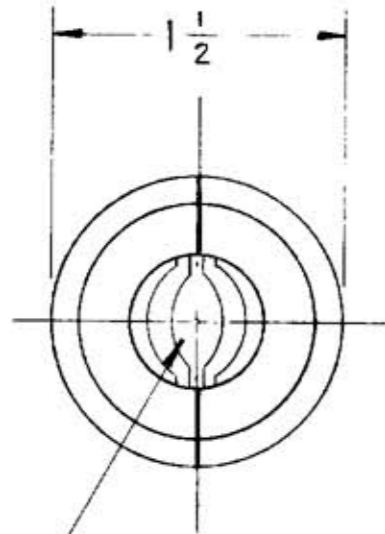
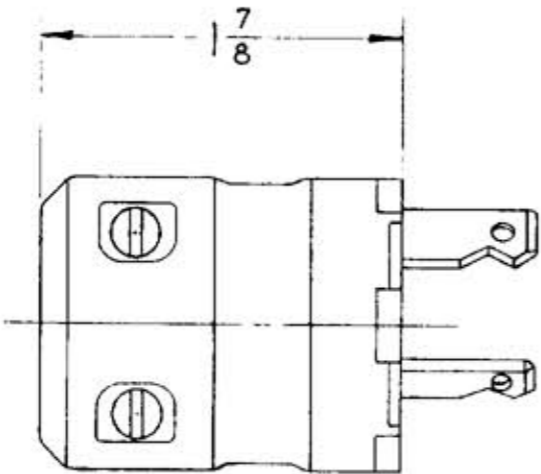
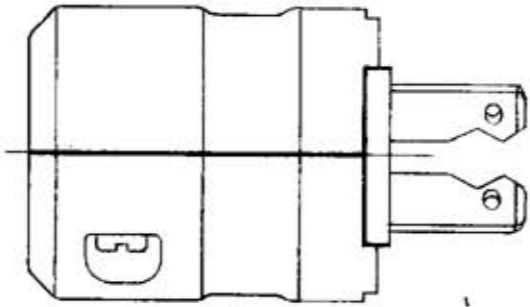


M-5971



CORD CLAMPS WITH INSERTS TAKE
 CORDS FROM 19/64 TO 29/64 DIA. &
 WITHOUT INSERTS FROM 29/64 TO 11/16 DIA.

LIST OF PARTS

DESCRIPTION	MATERIAL	FINISH
HOUSING	NYLON	YELLOW
CONTACT BLADES	BRASS	
WIRE CLAMPS	STEEL	NICKEL PL.
TERMINAL SCREWS	BRASS	
CORD CLAMP SCRS.	STEEL	YELL. CHRO
INSERT	NYLON	BLACK

DIMENSION SHEET FOR CAT. NO. 9758-VY

REPAIRABLE NON-REPAIRABLE

B

M-5971

SYM	REVISIONS	APP	DATE

TITLE
20A. 250V. 2 WIRE STRAIGHT BLADE
VALISE PLUG

TOLERANCES UNLESS OTHERWISE SPECIFIED

FRACTIONS ± 1/64
 DECIMALS ± .005
 ANGLES ± 2°

HARVEY HUBBELL, INC.
 BRIDGEPORT, CONN.

DR. BY ASM APP. BY _____
 TR. BY _____ SCALE F.U.L.M.
 CHK'D. BY _____ DATE 5-10-77